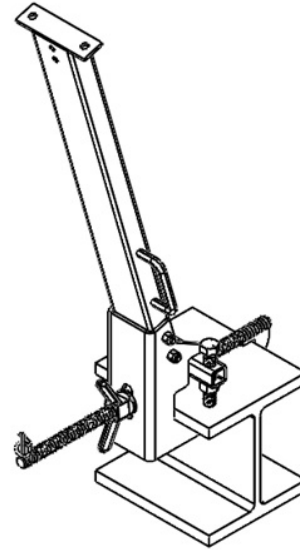


## SteelGrip<sup>®</sup> Clamping I-Beam Stanchion User Instruction Manual

This manual is intended to meet the Manufacturer's Instructions as required by the American National Standards Institute (ANSI) Z359 and should be used as part of an employee training program as required by the Occupational Safety and Health Act (OSHA).

**STEEL  
GRIP<sup>®</sup>  
STANCHION**



### **WARNING**

This product is part of a complete fall protection system and must be used in conjunction with the Horizontal Lifeline (HLL) sub-systems detailed in this manual. Users shall connect to properly installed HLL systems with ANSI Z359 compliant personal fall arrest or restraint systems. This product is not part of a work positioning, suspension, or rescue system. A Personal Fall Arrest System (PFAS) is typically composed of an anchorage and a Full Body Harness (FBH), with a connecting device, i.e., a Shock Absorbing Lanyard (SAL), or a Self-Retracting Device (SRD), attached to the dorsal D-ring of the FBH.

These instructions must be provided to the worker using this equipment. The worker must read and understand the manufacturer's instructions for each component or part of the complete system. Manufacturer's instructions must be followed for proper use, care, and maintenance of this product. These instructions must be retained and be kept available for the worker's reference at all times. Alterations or misuse of this product, or failure to follow instructions, may result in serious injury or death.

A Fall Protection Plan must be on file and available for review by all workers. It is the responsibility of the worker and the purchaser of this equipment to assure that users of this equipment are properly trained in its use, maintenance, and storage. Training must be repeated at regular intervals. Training must not subject the trainee to fall hazards.

Consult a doctor if there is reason to doubt your fitness to safely absorb the shock of a fall event. Age and fitness seriously affect a worker's ability to withstand falls. Pregnant women or minors must not use this equipment.

ANSI limits the weight of fall protection equipment users to a maximum of 310 lbs. Products in this manual may have a rated capacity exceeding ANSI capacity limits. Heavy users experience more risk of serious injury or death due to falls because of increased fall arrest forces placed on the user's body. In addition, the onset of suspension trauma after a fall even may be accelerated for heavy users.

The user of the equipment discussed in this manual must read and understand the entire manual before beginning work.

**NOTE:** For more information consult the ANSI Z359 body of standards.

FallTech<sup>®</sup>  
1306 South Alameda Street  
Compton, CA 90221, USA  
1-800-719-4619  
1-323-752-0066  
[www.FallTech.com](http://www.FallTech.com)  
2016©

## TABLE OF CONTENTS

### 1. DESCRIPTION

1.1 ANSI and OSHA

### 2. DEFINITIONS

### 3. SYSTEM REQUIREMENTS

3.1 Capacity

3.2 Compatibility of Connectors

3.3 Compatibility of Components

3.4 Making Connections

3.5 Personal Fall Arrest System

3.6 Personal Fall Arrest System Anchorage Strength

### 4. APPLICATION

4.1 Purpose

4.2 Compatible FallTech® HLL Systems

4.2.1 FallTech® SteelGrip® Temporary Cable HLL System

4.2.2 FallTech® PSR Synthetic HLL System

4.2.3 FallTech® 4-Person Synthetic HLL System

4.2.4 FallTech® Kernmantle HLL System

4.3 Application Limits

4.3.1 System Direction

4.3.2 System Height and Clearance Requirements

4.3.3 Multiple Persons Connected

4.4 Rescue

### 5. INSTALLATION AND OPERATION

5.1 System Planning

5.1.1 Evaluation of Structure Strength

5.1.2 Beam Sizing

5.1.3 Connectors/Deceleration Devices

5.2 Product Assembly and Installation

### 6. SPECIFICATIONS

### 7. MAINTENANCE, SERVICE AND STORAGE

7.1 Maintenance

7.2 Service

7.3 Storage

### 8. INSPECTION

8.1 Pre-Use Inspection

8.2 Inspection Frequency

8.3 Inspection Checklist

8.4 Inspection Results

8.5 Inspection Document

### 9. LABELS

#### APPENDIX A

Specific Tables and Figures TBD

#### APPENDIX B

Figures 1 – 13, Acronyms and Abbreviations, Inspection Record

### 1. DESCRIPTION

The FallTech® SteelGrip® Clamping I-Beam Stanchion is an assembly of steel components designed to be attached to I-Beams from 4" to 24" in flange width. Once properly installed, the stanchion provides 42" high end anchor points and intermediate pass through points for select FallTech® HLL systems. The FallTech® SteelGrip® Clamping I-Beam Stanchion may be referred to as the stanchion, the clamp, the end anchor, or the unit. This manual contains two appendices Appendix A and Appendix B. Appendix A provides tables and figures specific to the products described in this manual. Appendix B provides figures and tables about general fall protection principles. Unless otherwise noted all figure and table references in this manual are to Appendix A.

**1.1 ANSI and OSHA Regulations:** This product is part of a complete fall protection system and must be used in conjunction with the FallTech® Horizontal Lifeline (HLL) sub-systems detailed in this manual. **Per OSHA 1926.502 and 1910.140, all horizontal lifeline systems must be designed, installed and used under the supervision of a Qualified Person.** Users shall connect to properly installed HLL systems with ANSI Z359 compliant personal fall arrest or restraint systems. See Table 1A and Figure 1 for complete stanchion. Standards named in this document reflect both product conformity and compliance testing to the requirements of the ANSI Z359 body of standards. Where product design does not specifically conform to a written standard, every effort has been made to test to the most relevant standard(s). For complete testing results and compliance statements, please refer to the Declaration of Conformity for the products detailed in this manual.

**2. Definitions:** The following are general definitions of fall protection terms as defined by ANSI Z359.0-2012.

**Anchorage** - A secure connecting point or a terminating component of a fall protection system or rescue system capable of safely supporting the impact forces applied by a fall protection system or anchorage subsystem.

**Anchorage Connector** - A component or subsystem that functions as an interface between the anchorage and a fall protection, work positioning, rope access or rescue system for the purpose of coupling the system to the anchorage.

**Arrest Distance** - The total vertical distance required to arrest a fall. The arrest distance includes the deceleration distance and activation distance.

**Authorized Person** – A person assigned by the employer to perform duties at a location where the person will be exposed to a fall hazard.

**Available Clearance** - The distance from a reference point, such as the working platform, to the nearest obstruction that an authorized person might contact during a fall which, if struck, could cause injury.

**Capacity** - The maximum weight that a component, system or subsystem is designed to hold.

**Certification** - The act of attesting in writing that the criteria established by these standards or some other designated standard have been met.

**Certified Anchorage** - An anchorage for fall arrest, positioning, restraint or rescue systems that a qualified person certifies to be capable of supporting the potential fall forces that could be encountered during a fall.

**Clearance** - The distance from a specified reference point, such as the working platform or anchorage of a fall arrest system, to the lower level that a worker might encounter during a fall.

**Clearance Requirement** - The distance below an authorized person that must remain clear of obstructions in order to ensure that the authorized person does not make contact with any objects that would cause injury in the event of a fall.

**Competent Person** - An individual designated by the employer to be responsible for the immediate supervision, implementation and monitoring of the employer's managed fall protection program who, through training and knowledge, is capable of identifying, evaluating and addressing existing and potential fall hazards, and who has the employer's authority to take prompt corrective action with regard to such hazards.

**Component** - An element or integral assembly of interconnected elements intended to perform one function in the system.

**Connecting Subsystem** - An assembly, including the necessary connectors, comprised of all components, subsystems, or both, between the anchorage or anchorage connector and the harness attachment point.

**Connector** - A component or element that is used to couple parts of the system together.

**Deceleration Distance** - The vertical distance between the user's fall arrest attachment at the onset of fall arrest forces during a fall, and after the fall arrest attachment comes to a complete stop.

**Energy (Shock) Absorber** - A component whose primary function is to dissipate energy and limit deceleration forces which the system imposes on the body during fall arrest.

**Fall Arrest** - The action or event of stopping a free fall or the instant where the downward free fall has been stopped.

**Fall Hazard** - Any location where a person is exposed to a potential free fall.

**Free Fall** - The act of falling before a fall protection system begins to apply forces to arrest the fall.

**Free Fall Distance** - The vertical distance traveled during a fall, measured from the onset of a fall from a walking working surface to the point at which the fall protection system begins to arrest the fall.

**Harness, Full Body** - A body support designed to contain the torso and distribute the fall arrest forces over at least the upper thighs, pelvis, chest and shoulders.

**Horizontal Lifeline Subsystem (HLL)** – An assembly, including the necessary connectors, comprised of a horizontal lifeline component and, optionally, of a) An energy absorber component or, b) A lifeline tensioner component, or both. This subsystem is normally attached at each end to an anchorage or anchorage connector and may also contain one or more intermediate anchorages. The end anchorages have the same elevation.

**Lanyard** - A component consisting of a flexible rope, wire rope or strap, which typically has a connector at each end for connecting to the body support and to a fall arrester, energy absorber, anchorage connector or anchorage.

**Lanyard Connecting Subsystem** - An assembly, including the necessary connectors, comprised of a lanyard only, or a lanyard and energy absorber.

**Personal Fall Arrest System (PFAS)** - An assembly of components and subsystems used to arrest a person in a free fall.

**Positioning** - The act of supporting the body with a positioning system for the purpose of working with hands free.

**Positioning Lanyard** - A lanyard used to transfer forces from a body support to an anchorage or anchorage connector in a positioning system.

**Qualified Person** - A person with a recognized degree or professional certificate and with extensive knowledge, training and experience in the fall protection and rescue field who is capable of designing, analyzing, evaluating and specifying fall protection and rescue systems.

**Self-Retracting Device (SRD)** - A device that contains a drum wound line that automatically locks at the onset of a fall to arrest the user, but that pays out from and automatically retracts onto the drum during normal movement of the person to whom the line is attached. After onset of a fall, the device automatically locks the drum and arrests the fall. Self-retracting devices include self-retracting lanyards (Srl's), self-retracting lanyards with integral rescue capability (SRL-R's), and self-retracting lanyards with leading edge capability (Srl-Le's) and, hybrid combinations of these.

**Snaphook** - A connector comprised of a hook-shaped body with a normally closed gate or similar arrangement that may be opened to permit the hook to receive an object and, when released, automatically closes to retain the object.

**Swing Fall** - A pendulum-like motion that occurs during and/or after a vertical fall. A swing fall results when an authorized person begins a fall from a position that is located horizontally away from a fixed anchorage.

## WARNING

- Take action to avoid moving machinery and thermal, electrical and chemical hazards as contact may cause serious injury or death.
- Avoid swing falls.
- Follow the weight restrictions and recommendations in this manual.
- Remove from service any equipment subjected to fall arrest forces.
- Do not alter or intentionally misuse this equipment.
- Consult FallTech® when using this equipment in combination with components or subsystems other than those ‘ described in this manual.
- Do not connect rebar hooks, large carabiners, or large snap hooks to the FBH dorsal D-rings as this may cause a roll-out condition and/or unintentional disengagement.
- Take action to avoid sharp and/or abrasive surfaces and edges.
- Avoid electric hazards. Use caution when performing arc welding. Arc flash from arc welding operations, including accidental arcs from electrical equipment, can damage equipment and are potentially fatal.
- Examine the work area. Be aware of the surroundings and workplace hazards that may impact safety, security, and the functioning of fall arrest systems and components.
- Hazards may include but not be limited to cable or debris tripping hazards, equipment failures, personnel mistakes, moving equipment such as carts, barrows, fork lifts, cranes, or dollies. Do not allow materials, tools or equipment in transit to contact any part of the fall arrest system.
- Do not work under suspended loads.

### 3. SYSTEM REQUIREMENTS

**3.1 Capacity:** The stanchion discussed in this manual is rated for use with specific FallTech® HLL Systems detailed in this manual. Refer to the HLL system instruction manual and the manuals for the PFAS system components used in conjunction with the HLL system for specific user capacities.

**3.2 Compatibility of Connectors:** Connectors are considered to be compatible with connecting elements when they have been designed to work together in such a way that their sizes and shapes do not cause their gate mechanisms to inadvertently open regardless of how they become oriented. Contact FallTech® if you have any questions about compatibility. Connectors must be compatible with the anchorage or other system components. Do not use equipment that is not compatible. Non-compatible connectors may unintentionally disengage. Connectors must be compatible in size, shape, and strength. Self-closing, self-locking snap hooks and carabiners are specified by OSHA and ANSI Z359.12.

**3.3 Compatibility of Components:** Equipment is designed for use with approved components and subsystems only. Substitutions or replacements made with non-ANSI Z359 compliant components or subsystems may jeopardize compatibility of equipment and may affect the safety and reliability of the complete system. Ensure compatibility between the connectors if non-FallTech® components are used for fall protection.

**3.4 Making Connections:** Only use self-locking snap hooks, rebar hooks, and carabiners with this equipment. Only use connectors that are suitable to each application. Ensure all connections are compatible in size, shape and strength. Do not use equipment that is not compatible. Visually ensure all connectors close and lock completely. Connectors (snap hooks, rebar hooks, and carabiners) are designed for use only as specified in this manual. See Appendix B.

**3.5 Personal Fall Arrest System:** A PFAS is an assembly of components and subsystems used to arrest a person during a fall event. A PFAS is typically composed of an anchorage and a FBH, with an energy absorbing connecting device, i.e., a SAL, an SRD, or a Fall Arrester Connecting Subsystem (FACSS) attached to the dorsal D-ring of the FBH. PFAS components used with this equipment must meet applicable ANSI Z359 requirements and OSHA regulations. OSHA requires a personal fall arrest system be able to arrest the worker’s fall with a maximum arresting force of 1,800 lbs., and limit the free fall to 6 feet or less. If the maximum free fall distance must be exceeded, the employer must document, based on test data, that the maximum arresting force will not be exceeded, and the personal fall arrest system will function properly.

**3.6 Personal Fall Arrest System Anchorage Strength:** An anchorage selected for a PFAS must have the strength to sustain a static load applied in the direction permitted by the PFAS of at least two times the maximum arrest force permitted when certification exists, or 5,000 lbs. (22.2 kN) in the absence of certification. The stanchion described in this manual is designed to be used as an end anchor for select FallTech® HLL systems and when used properly provides a minimum two to one safety factor relative to the loads applied by the FallTech® HLL system.

## WARNING

The stanchion is not designed to be an anchorage connector for an individual PFAS system. Do not attach a PFAS system directly to the stanchion as improper loading of the stanchion could result in stanchion failure or a compromise of the PFAS connector. Use stanchion only for the attachment of HLL systems as instructed in this manual.

### 4. APPLICATION

**4.1 Purpose:** The FallTech® SteelGrip® Clamping I-Beam Stanchion is available with three different clamp sizes from 4" minimum to either 12", 18" or 24" maximum and secures to the top flange of an I-Beam. The maximum flange thickness is 2 ¼". See Figure 2. When two or more are installed in line on an I-Beam, the stanchions provide end anchorages for FallTech® temporary horizontal lifeline systems. Multiple stanchions may be installed in sequence to accommodate multiple single span HLL systems. Some HLL configurations allow for multiple intermediate stanchions to be configured with a top mounted pass through device to create multi-span systems with a single cable. Please see Figure 7 and the specific HLL system user instruction manual for more information.

**4.2 Compatible FallTech® HLL Systems:** The FallTech® SteelGrip® Clamping I-Beam Stanchion has been designed and tested to provide a minimum 2 to 1 safety factor when used in conjunction with the FallTech® horizontal lifelines specified in this manual. FallTech® manufactures four different series of horizontal lifeline systems that are compatible with the stanchion detailed in this manual. Each system has unique properties and limitations. When in use and attached to the Clamping I-Beam Stanchion each HLL system will apply different horizontal, vertical and torsional loads to the stanchion.

**Before installation of any stanchion or horizontal lifeline system a qualified person must reference the beam load requirements and determine if the installation I-Beam is capable of supporting the Applied Load and Moment Load. See sections 4.2.1 to 4.2.4 and Figures 3A and 3B for additional information and beam load requirements.**

**4.2.1 FallTech® SteelGrip® Temporary Cable HLL System:** The SteelGrip® Cable HLL system is a 2-person cable horizontal lifeline system with in-line coiled energy absorber(s). When deployed, the maximum end anchor loads will be no more than 3300 Lbs. Anchor points to which this system are attached must be capable of withstanding a minimum 2 times the maximum end anchor loads or a total of 6600 lbs per OSHA. The SteelGrip® Clamping I-Beam Stanchion has been designed and tested to provide a minimum 2 to 1 safety factor. A qualified person must determine if the beam to which the stanchion is attached is of strength and sufficiently connected to withstand the horizontal and vertical forces, and torsional loads applied during a fall event. See Figure 3A. Please refer to the user's instruction manual for the **FallTech® SteelGrip® Temporary Cable HLL System** for information regarding proper lifeline installation, lifeline elongation and minimum required fall clearance.

The **FallTech® SteelGrip® Temporary Cable HLL System** is available in variable lengths. Horizontal lifeline lengths exceeding 100' require the use of intermediate SteelGrip® Clamping I-Beam Stanchions with a connector pass through attachment at maximum intervals of 100'. See Figures 7 and 8 for pass through attachment installation and use. Intermediate stanchions have different beam load requirements than end anchor stanchions. See Figure 3B.

**4.2.2 FallTech® PSR Synthetic HLL System:** The PSR HLL system is a 2-person synthetic rope horizontal lifeline system. When deployed, the maximum end anchor loads will be no more than 3700lbs. Anchor points to which this system are attached must be capable of withstanding a minimum 2 times the maximum end anchor loads or a total of 7400lbs. The SteelGrip® Clamping I-Beam Stanchion has been designed and tested to provide a minimum 2 to 1 safety factor. A qualified person must determine if the beam to which the stanchion is attached is of strength and sufficiently connected to withstand the horizontal and vertical forces, and torsional loads applied during a fall event. See Figure 3A. Please refer to the user's instruction manual for the **FallTech® PSR Synthetic Rope HLL System** for information regarding proper lifeline installation, lifeline elongation and minimum required fall clearance.

**4.2.3 FallTech® 4-Person Synthetic HLL System:** The 4-Person system is a synthetic rope horizontal lifeline system. When deployed, the maximum end anchor loads will be no more than 4100lbs. Anchor points to which this system are attached must be capable of withstanding a minimum 2 times the maximum end anchor loads or a total of 8200lbs. The SteelGrip® Clamping I-Beam Stanchion has been designed and tested to provide a minimum 2 to 1 safety factor. A qualified person must determine if the beam to which the stanchion is attached is of strength and sufficiently connected to withstand the horizontal and vertical forces, and torsional loads applied during a fall event. See Figure 3A. Please refer to the user's instruction manual for the **FallTech® 4-Person Synthetic Rope HLL System** for information regarding proper lifeline installation, lifeline elongation and minimum required fall clearance.

**4.2.4 FallTech® Kernmantle HLL System:** The Kernmantle system is a 2-person synthetic rope horizontal lifeline system. When deployed, the maximum end anchor loads will be no more than 2650 Lbs. Anchor points to which this system are attached must be capable of withstanding a minimum 2 times the maximum end anchor loads or a total of 5300 Lbs. The SteelGrip® Clamping I-Beam Stanchion has been designed and tested to provide a minimum 2 to 1 safety factor. A qualified person must determine if the beam to which the stanchion is attached is of strength and sufficiently connected to withstand the horizontal and vertical forces, and torsional loads applied during a fall event. See Figure 3A. Please refer to the user's instruction manual for the **FallTech® Kernmantle HLL System** for information regarding proper lifeline installation, lifeline elongation and minimum required fall clearance.

## WARNING

**Intermediates for multiple span HLL systems may only be used with the FallTech® SteelGrip® Temporary Cable HLL System. Use of intermediate stanchions and pass through devices on non-cable HLL systems could result in undue wear on the lifeline and increase the risk of cutting or HLL failure.**

**4.3 Application Limits:** The SteelGrip® Clamping I-Beam Stanchion is designed to be used only with FallTech horizontal lifeline systems. Use of HLL systems other than those detailed in this manual is not allowed. Maximum span length, installation methods and user capacities are defined in the user's instruction manual for each specific FallTech HLL system. Users must read and follow the instructions provided with the FallTech HLL system to be attached to the SteelGrip® stanchions.

**4.3.1 System Direction:** The SteelGrip® Clamping I-Beam Stanchion is designed to be installed on straight and horizontal beams without bends or turns.

**4.3.2 System Height and Clearance Requirements:** When installed, the stanchion height is 42" above the surface of the I-Beam. Horizontal lifelines attached to the stanchion will typically be below the dorsal D-ring of the user's full body harness. OSHA requires that fall arrest systems limit a user's free fall to 6' or less. Care should be taken to limit total free fall when using FallTech HLL systems. The FallTech temporary HLL systems detailed in this manual have been designed and tested for use with ANSI Z359.13 compliant shock absorbing lanyards of up to 6' in length and ANSI Z359.14 compliant self-retracting devices. Refer to the HLL user's instruction manual for clearance requirements.

**4.3.3 Multiple Persons Connected:** When a worker falls while connected to a horizontal lifeline, the lifeline system will deflect. If multiple workers are connected the same horizontal lifeline, and one worker falls, the remaining worker(s) may be pulled off the walking/working surface. The potential for the remaining worker(s) falling increases as the lifeline length increases. The use of independent HLL systems for each person or shorter span lengths is recommended to minimize the potential of the remaining worker(s) falling.

**4.4 Rescue:** The FallTech SteelGrip® Clamping I-Beam Stanchion System is part of a complete PFAS. It is not intended as a rescue device. The use of this system presents a wide variety of potential rescue scenarios. Users of this should understand their work environment and develop a rescue plan accordingly. It is recommended that a trained on-site rescue team be present during use of the system.

## 5. INSTALLATION AND USE

**5.1. System Planning:** The SteelGrip® Stanchion is designed to be installed on elevated beams and used in conjunction with the HLL systems detailed in Section 4. Each HLL system presents different end loads, dynamic sag and clearance requirements. An evaluation of system length, clearance requirements, beam size and strength requirements must be performed prior to use in order to ensure proper performance of the complete system once installed.

**5.1.1 Evaluation of Structure Strength:** The SteelGrip® Stanchion must be installed onto beams that will support the applied loads during a fall event. The beam to which the stanchion is attached may be subjected to horizontal forces, vertical forces, and torsional loads. See Figures 3A and 3B for the beam load requirements associated with each approved FallTech HLL system.

**5.1.2: Beam Sizing:** The SteelGrip® Stanchion may be installed onto a variety of beam flanges with widths from 4" to 24". See Figure 2 for specific beam and clamp sizing configurations. All beams may have a maximum flange thickness of 2 ¼".

**5.1.3 Connectors/Deceleration Devices:** Connectors and Deceleration Devices such as Shock Absorbing Lanyards, Self-Retracting Devices and Lifelines, and Fall Arrestor Connector Subsystems (Vertical Lifeline/Rope Grab Combinations) are designed to connect the user's body wear to the Anchorage Connector and/or Anchor Point of a Personal Fall Arrest System. Connectors designed for use in a PFAS perform in a variety of ways depending upon but not limited to such factors as method of use, anchor point location, environment, user weight, and system stretch or elongation. Each Connector used as part of a PFAS should be designed for the intended application and used only with compatible components. The primary function of a Connector designed for use in a PFAS is to arrest and decelerate a worker's fall and dissipate forces applied to both the user of the PFAS and the PFAS Anchor Point. Mandatory considerations for safely planning a PFAS include understanding the following:

- **Maximum Arrest Force:** During a fall event, each Connector/Deceleration Device used as part of a PFAS will perform as detailed in its user's instruction manual and/or on its label and apply a force to both the worker's body and to the anchorage connector. In order to properly plan a complete PFAS the user must determine the maximum allowable forces that may be applied to the body and anchorage connector during a fall event and establish a PFAS system that maintains a minimum safety factor of two.
- **Deceleration Distance:** Typical Connectors/Deceleration Devices used as part of a complete PFAS will, during a fall event, elongate as they absorb energy. Each Connector/Deceleration Device will perform as specified in its user's instruction manual. Care should be taken by the user of the PFAS system to know and understand the total potential elongation of the specific Connector/Deceleration Device.
- **Minimum Required Fall Clearance:** During a fall event using a PFAS, the elongation of a typical Connector/Deceleration Device when combined with the original length of the Connector/Deceleration Device, must be added to the height of the worker with consideration given to stretch of the Full Body Harness. In sum, the total length of the PFAS system when deployed must not exceed the available clearance below the walking working surface. Failure to properly calculate Minimum Required Fall Clearance could result in serious injury or death. See the specific **FallTech® HLL system user instruction manual** and Appendix B for more information on Minimum Required Fall Clearance.

- **Swing Fall:** When using a typical Connector/Deceleration Device in a PFAS, anchorage location and lateral movement of the worker will affect the total stopping distance of a worker during a fall event. Swing occurs as a result of worker moving laterally away from their anchor and then experiencing a fall event. During a fall event as the PFAS deploys it will cause the worker to pendulum back toward and past their anchorage. Care should be taken to avoid obstructions in the worker's path during a swing fall. In many cases the lateral movement of the worker may result in the need for additional fall clearance. Care should be taken to understand the potential additional fall clearance required due to swing fall.

## 5.2 Product Assembly and Installation

### a) I-Beam Stanchion Assembly Instructions (See Figure 4)

- 1) Insert stanchion post into I-beam stanchion base and align holes.
- 2) Insert provided bolts into the aligned holes.
- 3) Thread on and tighten locknuts onto bolts.

### b) Beam Clamp Installation (See Figure 5)

- 1) Thread wing nut onto threaded rod of clamp.
- 2) Insert cotter pin into the hole at the end of the clamp rod.
- 3) Insert clamp assembly through the slot in the stanchion base as shown in Figure 5.

### c) I-Beam Stanchion Installation (See Figure 6)

- 1) Following Figure 5, the beam clamp must be inserted through the slot in the I-beam stanchion base before installing onto I-beam.
- 2) Place stanchion onto I-beam so the flange fits into the slotted section of the stanchion base as shown in Figure 6.
- 3) Tighten wing nut until stanchion draws completely into I-beam.
- 4) Strike wing nut with tool to secure in place.
- 5) Tighten mounting bolts to secure stanchion in place.

### d) Intermediate Pass-Through Bracket Installation (See Figure 7)

- 1) Align holes of pass-through brackets with holes of stanchion post.
- 2) Insert bolts through aligned holes.
- 3) Thread on and tighten locknuts.

**6. SPECIFICATIONS:** See Table 1A

## 7. MAINTENANCE, SERVICE AND STORAGE

**7.1 Maintenance:** No maintenance required, if unit appears damaged, has been subjected to fall forces or does not pass inspection, remove it from service.

**7.2 Service:** There are no specific service requirements for this system component.

**7.3 Storage:** If the unit is removed from its installation location it should be stored in a dry area free of corrosive elements that may harm or cause it not to function.

## 8. INSPECTION

**8.1 Pre-Use Inspection:** The stanchion must be visually inspected by a qualified person after initial installation and prior to use each day. During this pre-use inspection, the mounting bolts and clamp wing nut should be retightened to ensure proper installation.

**8.2 Inspection Frequency:** Pre-use inspection should occur daily. In addition, the stanchion must be fully inspected annually by a qualified person and recorded on the product label's inspection grid.

**8.3 Inspection Checklist:** The stanchion should be inspected for the following:

- Proper Installation
- Cracks
- Pitting
- Bends
- Deformation
- Rust or Corrosion
- Product Labels

**8.4 Inspection Results:** If the stanchion fails inspection, it should be immediately removed from service until deemed servicable by a competent or qualified person.

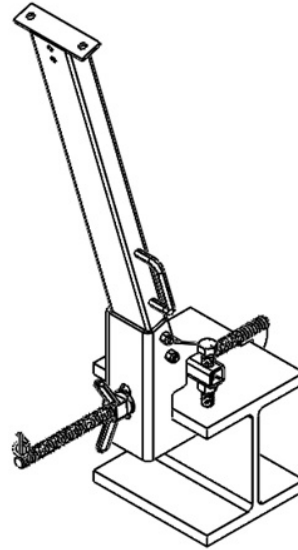
**8.5 Inspection Document:** Record inspection results on the Inspection Record provided on the product label, in Appendix B, or on a similar document.



## Soporte de Fijación de Viga-I SteelGrip<sup>®</sup>

Este manual tiene la intención de cumplir con las Instrucciones del Fabricante según lo requerido por el Instituto Nacional de Estándares Americanos (ANSI, por sus siglas en inglés) Z359 y debe usarse como parte de un programa de capacitación de empleados como lo requiere la Ley de Seguridad y Salud Ocupacional (OSHA, por sus siglas en inglés).

**STEEL  
GRIP  
STANCHION**



### **ADVERTENCIA**

Este producto forma parte de un sistema completo de protección contra caídas y debe utilizarse conjuntamente con los subsistemas de Cuerda de Salvamento Horizontal (HLL, por sus siglas en inglés) detallados en este manual. Los usuarios deben conectarse a sistemas HLL correctamente instalados con sistemas personales de detención o restricción de caídas ANSI Z359. Este producto no es parte de un sistema de posicionamiento de trabajo, suspensión o rescate. Un Sistema de Detención de Caídas Personal (PFAS, por sus siglas en inglés) está compuesto típicamente de un anclaje y un Arnés de Cuerpo Completo (FBH, por sus siglas en inglés), con un dispositivo de conexión, es decir, una Cuerda Amortiguadora (SAL, por sus siglas en inglés), o un Dispositivo Auto-Retráctil (SRD, por sus siglas en inglés), unido al anillo en "D" dorsal del FBH.

Estas instrucciones se deben proporcionar al trabajador que use este equipo. El trabajador debe leer y comprender las instrucciones del fabricante para cada componente o parte del sistema completo. Las instrucciones del fabricante deben seguirse para el uso, cuidado y mantenimiento correctos de este producto. Estas instrucciones deben conservarse y mantenerse disponibles para consulta del trabajador en todo momento. Las alteraciones o el uso indebido de este producto o no seguir las instrucciones pueden causar lesiones graves o la muerte. Un Plan de Protección contra Caídas debe estar archivado y disponible para su revisión por parte de todos los trabajadores. El trabajador y el comprador de este equipo tienen la responsabilidad de asegurarse de que los usuarios de este equipo están debidamente capacitados sobre su uso, mantenimiento y almacenamiento. La capacitación se debe repetir a intervalos regulares. La capacitación no debe someter a los usuarios a peligros de caídas.

Consulte a un médico si hay razones para dudar de su aptitud para absorber con seguridad el impacto de un evento de caída. La edad y el estado físico afectan gravemente a la capacidad de los trabajadores para soportar caídas. Las mujeres embarazadas y los menores de edad no deben utilizar este equipo.

ANSI limita el peso de los usuarios del equipo de protección contra caídas a un máximo de 310 libras (140,6 kg). Los productos en este manual pueden tener una capacidad nominal que exceda los límites de capacidad de ANSI. Los usuarios pesados experimentan más riesgo de lesiones graves o la muerte debido a caídas a causa de una mayor fuerza de detención de caída sobre el cuerpo del usuario. Además, el inicio del trauma por suspensión después de una caída incluso puede acelerarse para los usuarios pesados.

El usuario del equipo descrito en este manual debe leer y entender el manual completo antes de comenzar a trabajar.

**NOTA:** Para obtener más información, consulte el corpus normativo ANSI Z359.

**FallTech<sup>®</sup>**  
**1306 South Alameda Street**  
**Compton, CA 90221, USA**  
**1-800-719-4619**  
**1-323-752-0066**  
[www.FallTech.com](http://www.FallTech.com)  
2016©

# ÍNDICE

## 1. DESCRIPCIÓN

1.1 Instituto Nacional Estadounidense de Estándares (ANSI, por sus siglas en inglés) y Administración de Salud y Seguridad Ocupacional (OSHA, por sus siglas en inglés)

## 2. DEFINICIONES

### 3. REQUISITOS DEL SISTEMA

- 3.1 Capacidad
- 3.2 Compatibilidad de los Conectores
- 3.3 Compatibilidad de los Componentes
- 3.4 Establecer Conexiones
- 3.5 Sistema Personal de Detención de Caídas
- 3.6 Fuerza de Anclaje del Sistema Personal de Detención de Caídas

## 4. APLICACIÓN

- 4.1 Propósito
- 4.2 Sistemas Compatibles HLL FallTech®
  - 4.2.1 Sistema HLL de Cable Temporal SteelGrip® FallTech®
  - 4.2.2 Sistema HLL Sintético PSR FallTech®
  - 4.2.3 Sistema HLL Sintético de 4 Personas FallTech®
  - 4.2.4 Sistema HLL Kernmantle FallTech®
- 4.3. Límites de Aplicación
  - 4.3.1 Dirección del Sistema
  - 4.3.2 Requisitos de Altura y Distancia Despejada del Sistema
  - 4.3.3 Múltiples Personas Conectadas
- 4.4 Rescate

## 5. INSTALACIÓN Y FUNCIONAMIENTO

- 5.1 Planificación del Sistema
  - 5.1.1 Evaluación de la Resistencia de la Estructura
  - 5.1.2 Dimensionamiento de la Viga
  - 5.1.3 Conectores / Dispositivos de Desaceleración
- 5.2 Montaje e Instalación del Producto

## 6. ESPECIFICACIONES

## 7. MANTENIMIENTO, SERVICIO Y ALMACENAMIENTO

- 7.1 Mantenimiento
- 7.2 Servicio
- 7.3 Almacenamiento

## 8. INSPECCIÓN

- 8.1 Inspección Previa a la Utilización
- 8.2 Frecuencia de Inspección
- 8.3 Lista de Verificación de la Inspección
- 8.4 Resultados de la Inspección
- 8.5 Documento de la Inspección

## 9. ETIQUETAS

### ANEXO A

Tablas Específicas y Figuras TBD

### ANEXO B

Figuras 1 – 13, Acrónimos y Abreviaturas, Inspección

## 1. DESCRIPCIÓN

El Soporte de Fijación de Viga I SteelGrip® FallTech® es un montaje de un conjunto de componentes de acero diseñado para ser fijado a vigas I de 4" (10 cms) a 24" (61 cms) en ancho de pestaña. Una vez instalado correctamente, el soporte provee puntos de anclaje de 42" (1.07 mts) de alto y puntos de paso intermedios para sistemas selectos HLL FallTech®. Soporte de Fijación de Viga I de FallTech® SteelGrip® puede ser referido como el soporte, la abrazadera, el anclaje final o la unidad. Este manual contiene dos anexos, Anexo A y Anexo B. El Anexo A contiene tablas y figuras específicas para los productos descritos en este manual. El Apéndice B proporciona figuras y tablas sobre principios generales de protección contra caídas. A menos que se indique lo contrario, todas las referencias de figuras y tablas en este manual están en el Anexo A.

**1.1 Normas ANSI y OSHA:** Este producto es parte de un sistema completo de protección contra caídas y debe usarse conjuntamente con los subsistemas de Cuerda de Salvamento Horizontal (HLL) FallTech® detallados en este manual. **Por OSHA 1926.502 y 1910.140, todos los sistemas de cuerda de salvamento horizontales deben ser diseñados, instalados y usados bajo la supervisión de una Persona Calificada.** Los usuarios deben conectarse a sistemas HLL correctamente instalados con sistemas personales de detención de caídas o restricciones ANSI Z359. Vea la Tabla 1A y la Figura 1 para una fijación completa. Las normas mencionadas en este documento reflejan tanto la conformidad del producto como las pruebas de conformidad con los requisitos del conjunto de normas ANSI Z359. Cuando el diseño del producto no se ajusta específicamente a una norma escrita, se ha hecho todo lo posible para probar la(s) norma(s) más relevante(s). Para obtener los resultados completos de las pruebas y las declaraciones de conformidad, consulte la Declaración de Conformidad de los productos detallados en este manual.

## 2. DEFINICIONES

Las siguientes son definiciones generales de términos de protección contra caídas según lo definido por ANSI Z359.0-2012.

**Anclaje** - Un punto de conexión seguro o un componente de terminación de un sistema de protección contra caídas o un sistema de rescate capaz de soportar con seguridad las fuerzas de impacto aplicadas por un sistema de protección contra caídas o un subsistema de anclaje.

**Conector de Anclaje** - Un componente o subsistema que funciona como una interfaz entre el anclaje y un sistema de protección contra caídas, posicionamiento del trabajo, acceso por cuerda o sistema de rescate con el fin de acoplar el sistema al anclaje.

**Distancia de Detención** - La distancia vertical total requerida para detener una caída. La distancia de detención incluye la distancia de deceleración y la distancia de activación.

**Persona Autorizada** - Una persona asignada por el empleador para desempeñar funciones en un lugar donde la persona estará expuesta a un riesgo de caídas.

**Distancia Despejada Disponible** - La distancia desde un punto de referencia, tal como la plataforma de trabajo, hasta la obstrucción más cercana que una persona autorizada pudiera entrar en contacto durante una caída y que, si se golpea, podría causar lesiones.

**Capacidad** - El peso máximo que un componente, sistema o subsistema está diseñado para sostener.

**Certificación** - El acto de certificar por escrito que los criterios establecidos por estas normas o alguna otra norma designada se han cumplido.

**Anclaje Certificado** - Un anclaje para los sistemas de detención de caídas, posicionamiento, retención o de rescate que certifica que una persona calificada puede ser capaz de soportar las fuerzas potenciales de caída que pudieran encontrarse durante una caída.

**Distancia Despejada** - La distancia desde un punto de referencia especificado, tal como la plataforma de trabajo o el anclaje de un sistema de detención de caídas, al nivel más bajo que un trabajador pueda encontrar durante una caída.

**Requisito de Distancia Despejada** - La distancia por debajo de una persona autorizada que debe permanecer libre de obstrucciones a fin de garantizar que la persona autorizada no haga contacto con objetos que pudieran causar lesiones en caso de caída.

**Persona Competente** - Una persona designada por el empleador para ser responsable de la supervisión, implementación y monitoreo inmediato del programa de protección contra caídas administrado por el empleador que, a través de la capacitación y el conocimiento, es capaz de identificar, evaluar y abordar los riesgos existentes y potenciales de caídas, y que tiene la autoridad del empleador para tomar medidas correctivas inmediatas con respecto a tales peligros.

**Componente** - Un elemento o conjunto integral de elementos interconectados destinados a desempeñar una función en el sistema.

**Subsistema de Conexión** - Un montaje, incluyendo los conectores necesarios, compuesto de todos los componentes, subsistemas o ambos, entre el anclaje o el conector de anclaje y el punto de fijación del arnés.

**Conector** - Un componente o elemento que se utiliza para acoplar piezas del sistema.

**Distancia de Deceleración** - La distancia vertical entre el accesorio de detención de caídas del usuario al inicio de las fuerzas de detención de caídas durante una caída y después de que el accesorio de detención de caídas llega a una parada completa.

**Amortiguador de Energía** - Un componente cuya función principal es disipar la energía y limitar las fuerzas de desaceleración que el sistema impone al cuerpo durante la detención de caídas.

**Detención de Caídas** - La acción o evento de detener una caída libre o el instante en que la caída libre hacia abajo ha sido detenida.

**Peligro de Caída** - Cualquier lugar donde una persona está expuesta a una caída libre potencial.

**Caída Libre** - El acto por el cual caer ante un sistema de protección contra caídas comienza a aplicar fuerzas para detener la caída.

**Distancia de Caída Libre** - La distancia vertical recorrida durante una caída, medida desde el inicio de una caída desde una superficie de trabajo para caminar hasta el punto en que el sistema de protección contra caídas comienza a detener la caída.

**Arnés de Cuerpo Completo** - Un soporte de cuerpo diseñado para contener el torso y distribuir las fuerzas de detención de caídas sobre por lo menos los muslos, la pelvis, el pecho y los hombros.

**Subsistema de Cuerda de Salvamento Horizontal (HLL)** – Un montaje, que incluye los conectores necesarios, compuesto de un componente de cuerda de salvamento horizontal y, opcionalmente, de a) Un componente amortiguador de energía o, b) Un componente tensor de cuerda de salvamento, o ambos. Este subsistema está normalmente unido en cada extremo a un anclaje o conector de anclaje y puede contener también uno o más anclajes intermedios. Los anclajes de los extremos tienen la misma elevación.

**Cuerda de Salvamento Horizontal** – Un componente de un subsistema de cuerda de salvamento horizontal, que consiste en una línea flexible con conectores u otros medios de acoplamiento en ambos extremos para asegurarlo horizontalmente entre dos anclajes o conectores de anclaje.

**Subsistema de Cuerda de Salvamento Horizontal** – Un montaje, que incluye los conectores necesarios, compuesto de un componente de cuerda de salvamento horizontal y, opcionalmente, de: a) Un componente amortiguador de energía o, b) Un componente tensor de la cuerda de salvamento, o ambos. Este subsistema está normalmente sujeto en cada extremo a un conector de anclaje o anclaje. Los anclajes en el extremo tienen la misma elevación.

**Cuerda** - Un componente que consiste de una cuerda flexible, cable de acero o correa, que típicamente tiene un conector en cada extremo para conectar con el soporte del cuerpo y a un detenedor de caídas, amortiguador de energía, conector de anclaje o anclaje.

**Subsistema de Conexión con Cuerda** - Un montaje, incluyendo los conectores necesarios, compuesto solamente por una cuerda, o una cuerda y un amortiguador de energía.

**Sistema Personal de Detención de Caídas (PFAS, por sus siglas en inglés)** - Un conjunto de componentes y subsistemas utilizados para detener a una persona en una caída libre.

**Posicionamiento** - El acto de soportar el cuerpo con un sistema de posicionamiento con el fin de trabajar con las manos libres.

**Cuerda de Posicionamiento** - Una cuerda utilizada para transferir fuerzas desde un soporte del cuerpo a un anclaje o a un conector de anclaje en un sistema de posicionamiento.

**Persona Calificada** - Una persona con un título reconocido o certificado profesional y con amplios conocimientos, capacitación y experiencia en el campo de protección y rescate de caídas que es capaz de diseñar, analizar, evaluar y especificar los sistemas de protección contra caídas y rescate.

**Dispositivo Auto-retráctil (SRD, por sus siglas en inglés)** - Un dispositivo que contiene una cuerda enrollada en un tambor que se bloquea automáticamente al inicio de una caída para detener al usuario, pero que se desenrolla y se retrae automáticamente sobre el tambor durante el movimiento normal de la persona a la que está conectada la cuerda. Tras el inicio de una caída, el dispositivo bloquea automáticamente el tambor y detiene la caída. Los dispositivos auto-retráctiles incluyen cuerdas auto-retráctiles (SrL's, por sus siglas en inglés), cuerdas auto-retráctiles con capacidad de rescate integral (SrL-r's, por sus siglas en inglés), y cuerdas auto-retráctiles con capacidad de borde de ataque (SrL-Le's, por sus siglas en inglés) y, combinaciones híbridas de estos.

**Gancho** - Un conector compuesto por un cuerpo en forma de gancho con una puerta normalmente cerrada o una disposición similar que puede ser abierta para permitir que el gancho reciba un objeto y, cuando se libera, se cierra automáticamente para retener el objeto.

**Caída con Balanceo** - Un movimiento tipo péndulo que ocurre durante y/o después de una caída vertical. Una caída con balanceo se produce cuando una persona autorizada comienza una caída desde una posición que está situada horizontalmente lejos de un anclaje fijo.

#### ADVERTENCIA

- Tome medidas para evitar mover la maquinaria y los peligros térmicos, eléctricos y químicos, ya que el contacto puede causar lesiones graves o la muerte.
- Evite las caídas con balanceo.
- Siga las restricciones de peso y las recomendaciones de este manual.
- Retire de servicio cualquier equipo sometido a fuerzas de detención de caídas.
- No altere o haga uso indebido intencionalmente de este equipo.
- Consulte a FallTech cuando utilice este equipo en combinación con componentes o subsistemas distintos de los descritos en este manual.
- No conecte ganchos corrugados, mosquetones grandes o grandes ganchos de presión a los anillos en "D" dorsales del Arnés de Cuerpo Completo (FBH, por sus siglas en inglés) ya que esto puede causar una condición de despliegue y/o desacoplamiento involuntario.
- Tome medidas para evitar superficies y bordes afilados y/o abrasivos.
- Evite los peligros eléctricos. Tenga cuidado al realizar la soldadura por arco. El arco eléctrico de las operaciones de soldadura por arco, incluyendo los arcos accidentales de los equipos eléctricos, pueden dañar el equipo y son potencialmente mortales.
- Examine el área de trabajo. Tenga cuidado con el entorno y los peligros del lugar de trabajo que pueden afectar la seguridad y el funcionamiento de los sistemas de detención de caídas y de los componentes.
- Los peligros pueden incluir, pero no limitarse a, riesgos de tropezarse con cables o escombros, fallas de equipo, errores de personal, mover equipos como carretas, carretillas elevadoras, montacargas, grúas o plataformas rodantes. No permita que materiales, herramientas o equipos en tránsito entren en contacto con ninguna parte del sistema de detención de caídas.
- No trabaje bajo cargas suspendidas.

### 3. REQUISITOS DEL SISTEMA

**3.1 Capacidad:** EL soporte tratado en este manual está clasificado para su uso con Sistemas HLL FallTech® específicos detallados en este manual. Consulte el manual de instrucciones del sistema HLL y los manuales de los componentes del sistema PFAS utilizados junto con el sistema HLL para capacidades específicas del usuario.

**3.2 Compatibilidad de los Conectores:** Los conectores se consideran compatibles con los elementos de conexión cuando han sido diseñados para trabajar conjuntamente de tal manera que sus tamaños y formas no hagan que sus mecanismos de compuerta se abran inadvertidamente, independientemente de cómo se orienten. Contacte a FallTech si tiene alguna pregunta sobre la compatibilidad. Los conectores deben ser compatibles con el anclaje u otros componentes del sistema. No utilice equipos que no sean compatibles. Los conectores no compatibles pueden desacoplarse involuntariamente. Los conectores deben ser compatibles en tamaño, forma y resistencia. Los ganchos y mosquetones autoblocantes y de cierre automático están especificados por OSHA y ANSI Z359.12.

**3.3 Compatibilidad de los Componentes:** El equipo está diseñado para ser utilizado únicamente con componentes y subsistemas aprobados. Las sustituciones o reemplazos realizados con componentes o subsistemas que no cumplen con ANSI Z359 pueden poner en peligro la compatibilidad del equipo y pueden afectar la seguridad y fiabilidad del sistema completo. Asegure la compatibilidad entre los conectores si se utilizan componentes que no son FallTech para protección contra caídas.

**3.4 Realizar Conexiones:** Utilice únicamente ganchos de seguridad autoblocantes, ganchos con barras de refuerzo y mosquetones con este equipo. Utilice únicamente conectores que sean adecuados para cada aplicación. Asegúrese de que todas las conexiones sean compatibles en tamaño, forma y resistencia. No utilice equipos que no sean compatibles. Asegúrese visualmente de que todos los conectores cierren y se bloqueen completamente. Los conectores (ganchos de presión, ganchos con barras de refuerzo y mosquetones) están diseñados para usarse únicamente como se especifica en este manual.

**3.5 Sistema Personal de Detención de Caídas (PFAS, por sus siglas en inglés):** Un PFAS es un conjunto de componentes y subsistemas utilizados para detener a una persona durante un evento de caída. Un PFAS está compuesto típicamente de un anclaje y un FBH, con un dispositivo de conexión de amortiguación de energía, por ejemplo, un SAL, un SRD, o un Subsistema de Conexión Detenedor de Caídas (FACSS, por sus siglas en inglés) conectado al anillo en "D" dorsal del FBH. Los componentes de PFAS usados con este equipo deben cumplir con los requisitos ANSI Z359 y OSHA. OSHA requiere que un sistema personal de detención de caídas sea capaz de detener la caída del trabajador con una fuerza máxima de retención de 1.800 libras (816,5 kgs) y limitar la caída libre a 6 pies (1,80 mts) o menos. Si se excede la distancia máxima de caída libre, el empleador deberá documentar, sobre la base de los datos de la prueba, que no se excederá la fuerza máxima de detención y que el sistema personal de detención de caídas funcionará correctamente.

**3.6 Resistencia de Anclaje del Sistema Personal de Detención de Caídas:** Un anclaje seleccionado para un PFAS debe tener la fuerza necesaria para sostener una carga estática aplicada en la dirección permitida por el PFAS de al menos dos veces la fuerza máxima de detención permitida cuando existe certificación, o 5.000 lbs. (2.268 kgs.) (22.2 kN) en la ausencia de certificación. El soporte descrito en este manual está diseñado para ser utilizado como anclaje final para sistemas HLL FallTech® seleccionados y, cuando se utiliza adecuadamente, proporciona un factor de seguridad mínimo de dos a uno en relación con las cargas aplicadas por el sistema HLL FallTech®.

#### ADVERTENCIA

**El soporte no está diseñado para ser un conector de anclaje para un sistema PFAS individual. No conecte un sistema PFAS directamente al soporte, ya que una carga inadecuada del soporte puede resultar en un fallo del soporte o en un compromiso del conector PFAS. Utilice el soporte sólo para la fijación de los sistemas HLL según se indica en este manual.**

## 4. APLICACIÓN

**4.1 Propósito:** El Soporte de Fijación de Viga I SteelGrip® FallTech® está disponible con tres tamaños de abrazaderas diferentes que van de 4" (10 cms) mínimo a 12" (30,5 cms), 18" (20,3 cms) ó 24" (31 cms) máximo y se asegura a la pestaña superior de una viga I. El grosor máximo de la pestaña es de 2 ¼" (5,71 cms). Ver Figura 2. Cuando dos o más están instalados en línea en una viga I, los soportes proporcionan anclajes en el extremo para los sistemas de cuerda de salvamento horizontales temporales FallTech®. Pueden instalarse varios soportes en secuencia para acomodar múltiples sistemas HLL de un solo tramo. Algunas configuraciones HLL permiten la instalación de varios soportes intermedios con un dispositivo de paso superior para crear sistemas de varios tramos con un solo cable. Por favor consulte la Figura 7 y el manual de instrucciones del usuario del sistema HLL específico para obtener más información.

**4.2 Sistemas HLL Compatibles FallTech®:** El Soporte de Fijación de Viga I SteelGrip® FallTech® ha sido diseñado y probado para proporcionar un factor de seguridad mínimo de 2 a 1 cuando se utiliza conjuntamente con las cuerdas de salvamento horizontales FallTech® especificadas en este manual. FallTech® fabrica cuatro series diferentes de sistemas de cuerdas de salvamento horizontales que son compatibles con el soporte detallado en este manual. Cada sistema tiene propiedades y limitaciones únicas. Cuando es usado y adosado al Soporte de Fijación de Viga I cada sistema HLL aplicará diferentes cargas horizontales, verticales y de torsión al soporte.

**Antes de instalar cualquier soporte o sistema de cuerda de salvamento horizontal, una persona calificada debe hacer referencia a los requisitos de carga de la viga y determinar si la instalación de la Viga I es capaz de soportar la Carga Aplicada y la Carga Momentánea. Véanse las secciones 4.2.1 a 4.2.4 y las figuras 3A y 3B para obtener información adicional y requisitos de carga de la viga.**

**4.2.1 Sistema HLL de Cable Temporal SteelGrip® FallTech®:** El sistema HLL SteelGrip® es un sistema de cuerda de salvamento horizontal de cable de 2 personas con un amortiguador de energía enrollado en línea. Cuando se despliega, las cargas máximas del anclaje final no serán más de 3.300 Lbs. (1.497 kgs). Los puntos de anclaje a los que este sistema está conectado deben ser capaces de soportar un mínimo de 2 veces las cargas de anclaje máximas o un total de 6.600 libras (2.994 kgs) por OSHA. El Soporte de Fijación de Viga I SteelGrip® ha sido diseñado y probado para proporcionar un factor de seguridad mínimo de 2 a 1. Una persona calificada debe determinar si la viga a la cual está fijado el soporte es resistente y está suficientemente conectado para soportar las fuerzas horizontales y verticales y las cargas de torsión aplicadas durante un evento de caída. Ver Figura 3A. Por favor consulte el manual de instrucciones del usuario para el Sistema HLL de Cable Temporal FallTech® SteelGrip® para obtener información sobre la instalación adecuada de la cuerda de salvamento, la elongación de la cuerda de salvamento y la distancia despejada mínima de caída requerida.

**El Sistema HLL de Cable Temporal SteelGrip® FallTech®** está disponible en longitudes variables. Las longitudes horizontales de la cuerda de salvamento superiores a 100' (30,50 mts) requieren el uso de Soportes de Fijación de Viga I SteelGrip® intermedios con un conector que pase a través de una conexión a intervalos máximos de 100' (30,50 mts). Vea las Figuras 7 y 8 para la instalación y uso de la conexión pasante. Los soportes intermedios tienen diferentes requisitos de carga de viga que los soportes de anclaje del extremo. Ver Figura 3B.

**4.2.2 Sistema HLL Sintético PSR FallTech®:** El Sistema HLL PSR es un sistema de cuerda de salvamento horizontal sintética de 2 personas. Cuando se despliega, las cargas máximas del anclaje en el extremo no serán más de 3700 lbs. (1.678 kgs). Los puntos de anclaje a los que este sistema está conectado deben ser capaces de soportar un mínimo de 2 veces las cargas de anclaje máximas en el extremo o un total de 7400 libras (3.357 kgs). El Soporte de Fijación de Viga I SteelGrip® ha sido diseñado y probado para proporcionar un factor de seguridad mínimo de 2 a 1. Una persona calificada debe determinar si la viga a la cual está fijado el soporte es resistente y está suficientemente conectada para soportar las fuerzas horizontales y verticales y las cargas de torsión aplicadas durante un evento de caída. Ver Figura 3A. Por favor consulte el manual de instrucciones del usuario para el Sistema HLL de Cuerda Sintética PSR FallTech® para obtener información sobre la instalación adecuada de la cuerda de salvamento, la elongación de la cuerda de salvamento y la distancia despejada mínima de caída requerida.

**4.2.3 Sistema HLL Sintético de 4 Personas FallTech®:** El sistema de 4 personas es un sistema de cuerda de salvamento horizontal de cuerda sintética. Cuando se despliega, las cargas máximas del anclaje final no serán más de 4100lbs. Los puntos de anclaje a los que está conectado este sistema deben ser capaces de soportar un mínimo de 2 veces las cargas de anclaje máximas en el extremo o un total de 8200lbs. El Soporte de Fijación de Viga I SteelGrip® ha sido diseñado y probado para proporcionar un factor de seguridad mínimo de 2 a 1. Una persona calificada debe determinar si la viga a la cual está fijado el soporte es resistente y está suficientemente conectado para soportar las fuerzas horizontales y verticales y las cargas de torsión aplicadas durante un evento de caída. Ver Figura 3A. Por favor consulte el manual de instrucciones del usuario para el Sistema HLL de Cuerda Sintética de 4 Personas FallTech® para obtener información sobre la instalación adecuada de la cuerda de salvamento, la elongación de la cuerda de salvamento y la distancia despejada mínima de caída requerida.

**4.2.4 Sistema HLL Kernmantle FallTech®:** El sistema Kernmantle es un sistema de cuerda de salvamento horizontal de cuerda sintética de 2 personas. Cuando se despliega, las cargas máximas del anclaje final no serán más de 2650 Lbs. (1.202 kgs). Los puntos de anclaje a los que está conectado este sistema deben ser capaces de soportar un mínimo de 2 veces las cargas de anclaje máximas en el extremo o un total de 5300 Lbs. (2.404 kgs). El Soporte de Fijación de Viga I SteelGrip® ha sido diseñado y probado para proporcionar un factor de seguridad mínimo de 2 a 1. Una persona calificada debe determinar si la viga a la cual está fijado el soporte es resistente y está suficientemente conectado para soportar las fuerzas horizontales y verticales y las cargas de torsión aplicadas durante un evento de caída. Ver Figura 3A. Por favor consulte el manual de instrucciones del usuario para el Sistema HLL Kernmantle FallTech® para obtener información sobre la instalación adecuada de la cuerda de salvamento, la elongación de la cuerda de salvamento y la distancia despejada mínima de caída requerida.

#### ADVERTENCIA

**Los productos intermedios para sistemas HLL de varios intervalos sólo pueden utilizarse con el Sistema HLL de Cable Temporal SteelGrip® FallTech®. El uso de soportes intermedios y dispositivos de paso a través de sistemas HLL que no sean de cable podría resultar en un desgaste indebido en la cuerda de salvamento y aumentar el riesgo de corte o falla de la HLL.**

**4.3 Límites de Aplicación:** El Soporte de Fijación de Viga I SteelGrip® está diseñado para utilizarse sólo con los sistemas horizontales de cuerda de salvamento de FallTech®. No se permite el uso de sistemas HLL distintos de los detallados en este manual. La longitud máxima del tramo, los métodos de instalación y las capacidades del usuario se definen en el manual de instrucciones del usuario para cada sistema específico HLL FallTech®. Los usuarios deben leer y seguir las instrucciones suministradas con el sistema HLL FallTech® para su fijación a los soportes SteelGrip®.

**4.3.1 Dirección del Sistema:** El Soporte de Fijación de Viga I SteelGrip® está diseñado para ser instalado en vigas rectas y horizontales sin curvas ni giros.

**4.3.2 Requisitos de Altura y Distancia Despejada del Sistema:** Cuando se instala, la altura del soporte está 42" (1,06 mts) por encima de la superficie de la Viga I. Las cuerdas de salvamento horizontales unidas al soporte estarán por lo general por debajo del anillo en "D" dorsal del arnés de cuerpo entero del usuario. OSHA requiere que los sistemas de detención de caídas limiten la caída libre de un usuario a 6' (1,80 mts) o menos. Se debe tener cuidado para limitar la caída libre total cuando se usan los sistemas HLL FallTech. Los sistemas HLL temporales de FallTech detallados en este manual han sido diseñados y probados para su uso con cuerdas amortiguadoras de impactos ANSI Z359.13 compatibles de hasta 6' (1,80 mts) de largo y dispositivos auto-retractores compatibles con ANSI Z359.14. Consulte el manual de instrucciones del usuario de HLL para conocer los requisitos de distancia despejada.

**4.3.3 Múltiples Personas Conectadas:** Cuando un trabajador cae mientras está conectado a una cuerda de salvamento horizontal, el sistema de la cuerda de salvamento se desviará. Si dos trabajadores están conectados a la misma cuerda de salvamento horizontal y un trabajador cae, el segundo trabajador puede ser jalado de la superficie de trabajo para caminar. El potencial de caída para el segundo del trabajador aumenta a medida que aumenta la longitud de la cuerda de salvamento. Se recomienda el uso de sistemas HLL independientes para cada persona o longitudes de tramo más cortas para minimizar el potencial de caída del segundo trabajador.

**4.4 Rescate:** El Sistema del Soporte de Fijación de Viga I SteelGrip® FallTech® es parte de un PFAS completo. No se pretende que sea un dispositivo de rescate. El uso de este sistema presenta una amplia variedad de posibles escenarios de rescate. Los usuarios de este deben conocer su entorno de trabajo y desarrollar en consecuencia un plan de rescate. Se recomienda que un equipo de rescate capacitado en el lugar esté presente durante el uso del sistema.

## 5. INSTALACIÓN Y USO

**5.1. Planificación del Sistema:** El Soporte SteelGrip® está diseñado para ser instalado en vigas elevadas y se utiliza conjuntamente con los sistemas HLL detallados en la Sección 4. Cada sistema HLL presenta diferentes cargas extremas, flexión dinámica y requisitos de distancia despejada. Una evaluación de la longitud del sistema, los requisitos de distancia despejada, el tamaño de la viga y los requisitos de resistencia deben ser realizados antes de su uso para asegurar el correcto funcionamiento del sistema completo una vez instalado.

**5.1.1 Evaluación de la Resistencia de la Estructura:** El Soporte de SteelGrip® se debe instalar en vigas que soportar las cargas aplicadas durante el evento de caída. La viga que se une el Soporte de Fijación SteelGrip puede ser sometida a fuerzas horizontales, fuerzas verticales, y cargas torsionales. Ver la figura 3A y 3B para requisitos de carga para la viga, asociados a cada FallTech HLL sistema.

**5.1.2: Dimensionamiento de la Viga:** El Soporte SteelGrip® se puede instalar en una variedad de pestañas de vigas con anchos de 4" (10 cms) a 24" (61 cms). Vea la Figura 2 para configuraciones específicas de tamaño de viga y abrazadera. Todas las vigas pueden tener un grosor máximo de pestaña de 2 1/4" (5,71 cms).

**5.1.3 Conectores/ Dispositivos de Deceleración:** Los Conectores y los Dispositivos de Deceleración, tales como las Cuerdas Amortiguadoras de Impacto, Dispositivos Autoretráctiles y Cuerdas de Salvamento, y Subsistemas de Conectores de Detención de Caídas, están diseñados para conectar la ropa del cuerpo del usuario al Conector de Anclaje y/o al Punto de Anclaje de un Sistema Personal de Detención de Caídas. Los conectores diseñados para usar en un PFAS funcionan de diversas maneras dependiendo, pero no limitándose a factores tales como el método de uso, la ubicación del punto de anclaje, el entorno, el peso del usuario y el estiramiento o elongación del sistema. Cada Conector utilizado como parte de un PFAS debe estar diseñado para la aplicación deseada y utilizado sólo con componentes compatibles. La función principal de un Conector diseñado para ser usado en un PFAS es detener y desacelerar la caída de un trabajador y disipar las fuerzas aplicadas tanto al usuario del PFAS como al Punto de Anclaje del PFAS. Las consideraciones obligatorias para la planificación de la seguridad de un PFAS incluyen el comprender lo siguiente:

- **Fuerza Máxima de Detención:** Durante un evento de caída, cada Conector/ Dispositivo de Desaceleración utilizado como parte de un PFAS funcionará como se detalla en el manual de instrucciones del usuario y/o en su etiqueta y aplica una fuerza tanto al cuerpo del trabajador como al conector de anclaje. Para planificar adecuadamente un PFAS completo, el usuario debe determinar las fuerzas máximas permitidas que se pueden aplicar al cuerpo y al conector de anclaje durante un evento de caída y establecer un sistema PFAS que mantenga un factor de seguridad mínimo de dos.
- **Distancia de Deceleración:** Los Conectores/Dispositivos de Desaceleración utilizados como parte de un PFAS completo, durante un evento de caída, se alargarán al absorber energía. Cada Conector/Dispositivo de Desaceleración funcionará como se especifica en el manual de instrucciones del usuario. El usuario del sistema PFAS debe tener cuidado para conocer y comprender el alargamiento potencial total del Conector/Dispositivo de Desaceleración específico.
- **Mínimo Requerido de Distancia Despejada para las Caídas:** Durante un evento de caída utilizando un PFAS, la elongación de un Dispositivo típico de Conectividad / Desaceleración cuando se combina con la longitud original del Dispositivo de Conectividad / Desaceleración, debe ser añadida a la altura del trabajador teniendo en cuenta el estiramiento del Arnés de Cuerpo Completo. En resumen, la longitud total del sistema PFAS cuando se despliega no debe exceder la distancia despejada disponible debajo de la superficie de trabajo para caminar. Si no se calcula correctamente la Distancia Despejada de Caída Mínima Requerida puede resultar en lesiones graves o muerte. Consulte el manual de instrucciones del usuario del sistema HLL FallTech® específico y el Anexo B para obtener más información sobre la Distancia Despejada de Caída Mínima Requerida.
- **Caída con Balanceo:** Cuando se usa un Conector/Dispositivo de Desaceleración típico en un PFAS, la ubicación del anclaje y el movimiento lateral del trabajador afectarán la distancia total de parada de un trabajador durante un evento de caída. El balanceo ocurre como resultado de que el trabajador se mueve lateralmente lejos de su anclaje y luego experimenta un evento de caída. Durante un evento de caída a medida que el PFAS se despliega, hará que el trabajador haga un péndulo hacia atrás y más allá de su anclaje. Se debe tener cuidado para evitar obstrucciones en el camino del trabajador durante una caída con balanceo. En muchos casos, el movimiento lateral del trabajador puede dar lugar a la necesidad de una distancia despejada adicional para la caída. Debe tenerse cuidado de entender la distancia despejada adicional de caída requerida debido a la caída con balanceo.

## 5.2 Montaje e Instalación del Producto

### a) Instrucciones de Montaje del Soporte de la Viga-I (Ver Figura 4)

- 1) Inserte el poste del soporte en la base del soporte de la viga I y alinee los orificios.
- 2) Inserte los pernos proporcionados en los orificios alineados.
- 3) Enrosque y apriete las tuercas en los pernos.

### b) Instalación de la Abrazadera de la Viga (Ver Figura 5)

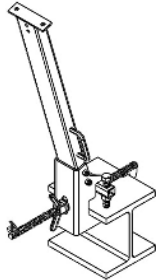
- 1) Enrosque la tuerca mariposa en la varilla roscada de la abrazadera.
- 2) Inserte el pasador de chaveta en el orificio en el extremo de la varilla de la abrazadera.
- 3) Inserte el montaje de la abrazadera a través de la ranura en la base del soporte como se muestra en la Figura 5.

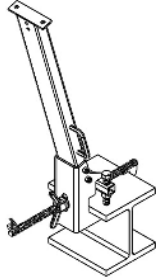
### c) Instalación del Soporte de la Viga-I (Ver Figura 6)

- 1) Después de la Figura 5, la abrazadera de la viga debe ser insertada a través de la ranura en la base del soporte de la viga-I antes de instalarla en la viga-I.
- 2) Coloque el soporte en la viga-I de modo que la pestaña encaje en la sección ranurada de la base del soporte como se muestra en la Figura 6.
- 3) Apriete la tuerca mariposa hasta que el soporte llegue completamente a la viga-I.
- 4) Golpee la tuerca mariposa con la herramienta para asegurarla en su lugar.
- 5) Apriete los pernos de montaje para asegurar el soporte en su lugar.



**APPENDIX A**

<b>Table 1A: Specifications for FallTech® SteelGrip® I-Beam Stanchion</b>				
<b>Model #</b>	<b>Minimum Tensile Strength and Material</b>	<b>Maximum User Capacity</b>	<b>Standards and Regulations</b>	<b>I-Beam Stanchion</b>
<b>603012K</b> (4"-12" Wide Beam Clamp)	8,000 lbs. Minimum Tensile Strength  Stanchion: Zinc Plated Steel  Beam Clamp: Zinc Plated Steel  Fasteners: Grade 5	See FallTech® Horizontal Lifeline (HLL) Systems User Instruction Manuals	OSHA 1926.502 1910.140	
<b>603018K</b> (4"-18" Wide I-Beam Clamp)				
<b>603024K</b> (4"-24" Wide Beam Clamp)				

<b>Tabla 1A: Especificaciones para el Soporte de Viga-I SteelGrip® FallTech®</b>				
<b>Modelo #</b>	<b>Resistencia Mínima a la Tracción y Material</b>	<b>Capacidad Máxima de Usuarios</b>	<b>Capacidad Máxima de Usuarios</b>	<b>Soporte Viga-I</b>
<b>603012K</b> (4"-12" Abrazadera Ancho de Viga)	8.000 lbs. Resistencia Mínima a la Tracción  Soporte: Acero Galvanizado  Abrazadera de la Viga: Acero Galvanizado  Sujetadores: Grado 5	Consulte los Manuales de los Sistemas (HLL) de Cuerda de Salvamento Horizontal de FallTech®	OSHA 1926.502 1910.140	
<b>603018K</b> (4"-18" Abrazadera Ancho de Viga)				
<b>603024K</b> (4"-24" Abrazadera Ancho de Viga)				

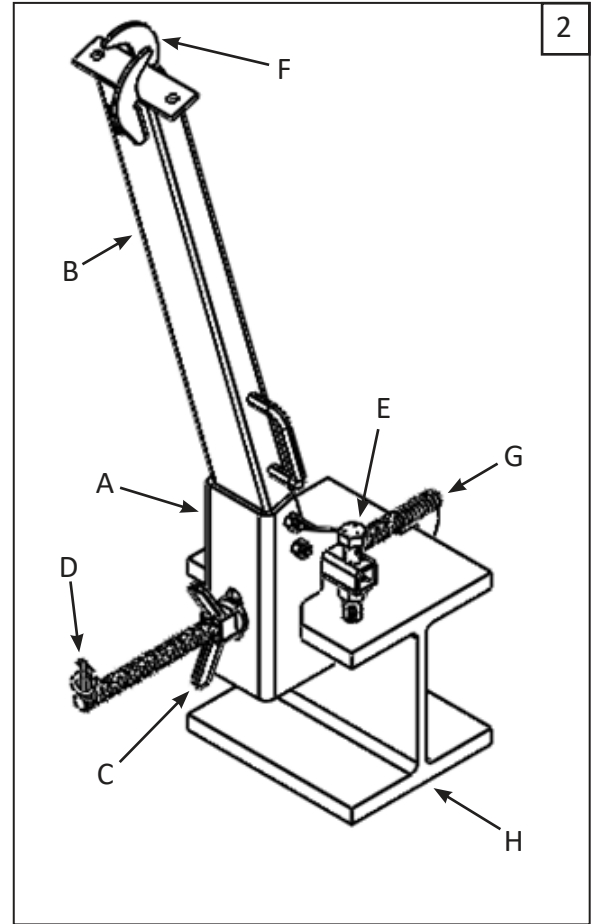
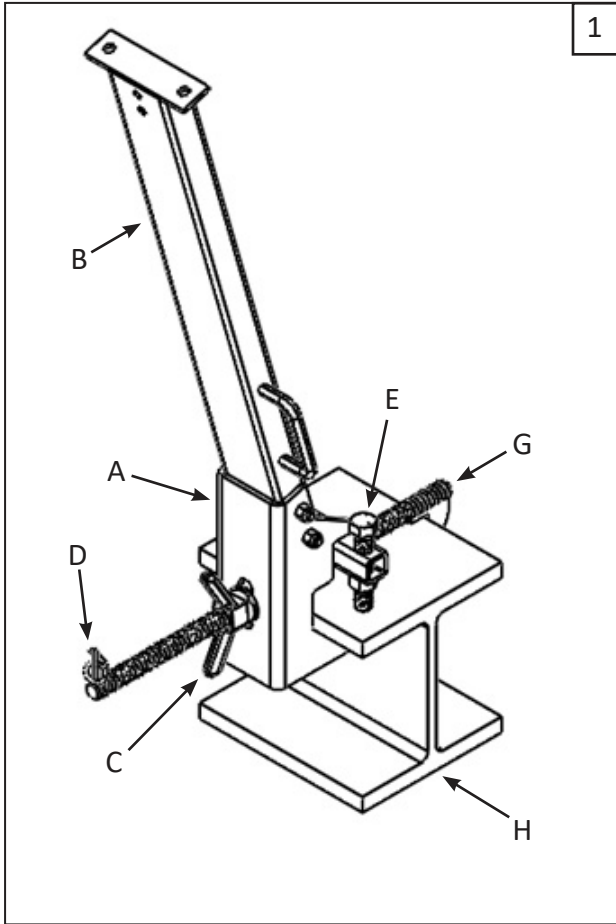


Figure 1: About FallTech® SteelGrip® I-Beam Stanchion	
1) End Configuration 2) Intermediate Stanchion	
<b>A</b>	I-Beam Stanchion Base
<b>B</b>	Stanchion Post
<b>C</b>	Wing Nut
<b>D</b>	Cotter Pin
<b>E</b>	Mounting Bolts
<b>F</b>	Intermediate Pass-Through Bracket
<b>G</b>	Clamp Rod
<b>H</b>	I-Beam

Figura 1: Acerca del Soporte de Viga-I SteelGrip®FallTech®	
1) Configuración Final 2) Soporte Intermedio	
<b>A</b>	Base Soporte Viga-I
<b>B</b>	Poste del Soporte
<b>C</b>	Tuerca Mariposa
<b>D</b>	Pasador de Chaveta
<b>E</b>	Pernos de Montaje
<b>F</b>	Soporte de Paso Intermedio
<b>G</b>	Varilla de la Abrazadera
<b>H</b>	Viga-I

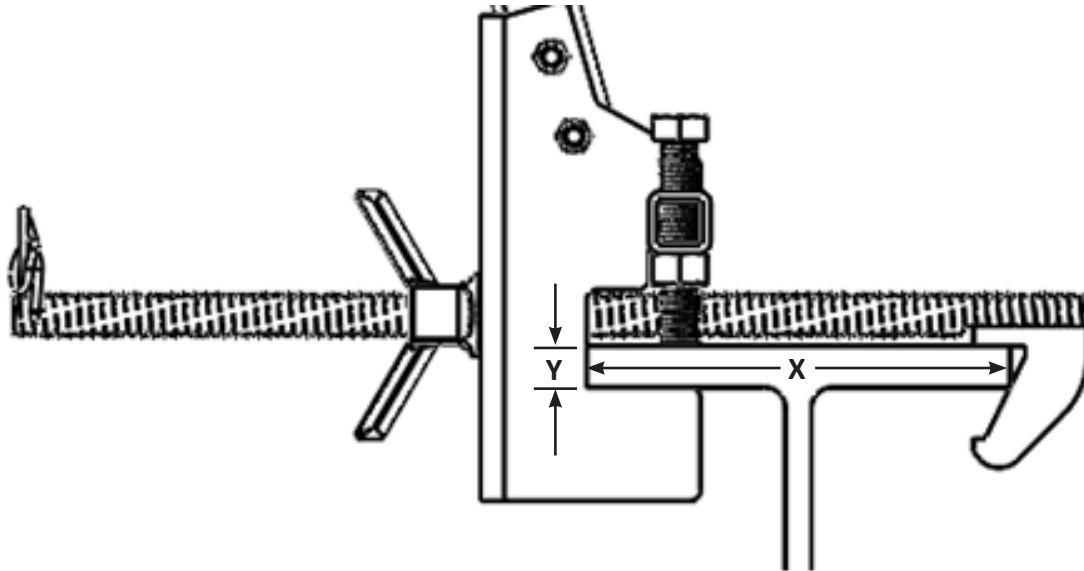


Figure 2: Beam/Clamp Sizing			
	603012K	603018K	603024K
<b>X</b>	4" - 12"	4" - 18"	4" - 24"
<b>Y</b>	≤ 2 1/4"	≤ 2 1/4"	≤ 2 1/4"

Figure 2: Dimensionamiento Viga/ Abrazadera			
	603012K	603018K	603024K
<b>X</b>	4" - 12"	4" - 18"	4" - 24"
<b>Y</b>	≤ 2 1/4"	≤ 2 1/4"	≤ 2 1/4"

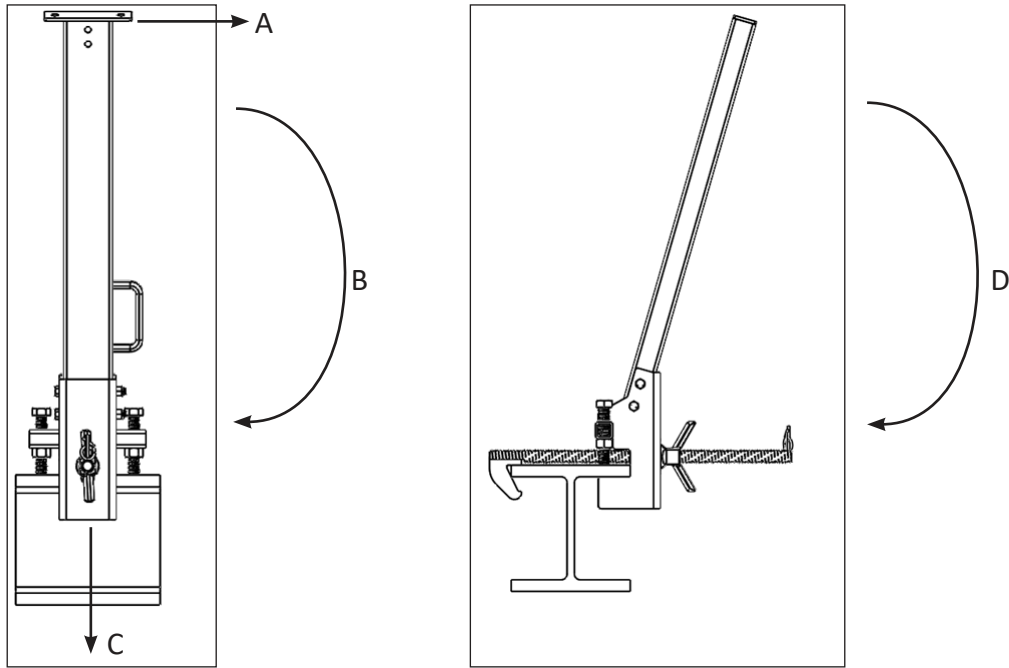


Figure 3A: Beam Load Requirements - End Stanchions

HLL System	Part #	Configuration	A	B	C	D
2 Person PSR Synthetic HLL	770001 770003 770006	1-man	4,600 lbs	14,375 ft-lbs	1,800 lbs	1,500 ft-lbs
		2-man	7,400 lbs	23,125 ft-lbs	3,600 lbs	3,000 ft-lbs
4 Person Synthetic HLL	777030 777050 777075 777100	1-man	3,400 lbs	10,625 ft-lbs	1,800 lbs	1,500 ft-lbs
		2-man	5,400 lbs	16,875 ft-lbs	3,600 lbs	3,000 ft-lbs
		3/4-man	8,200 lbs	25,625 ft-lbs	7,200 lbs	6,000 ft-lbs
Kernmantle HLL	77302K 77602K	1-man	2,800 lbs	8,750 ft-lbs	1,800 lbs	1,500 ft-lbs
		2-man	5,400 lbs	16,875 ft-lbs	3,600 lbs	3,000 ft-lbs
SteelGrip® Temporary Cable HLL	620020 Through 620330	1-man	5,400 lbs	16,875 ft-lbs	1,800 lbs	1,500 ft-lbs
		2-man	6,600 lbs	20,625 ft-lbs	3,600 lbs	3,000 ft-lbs

\*All values include 2:1 safety factor as required by OSHA

Figura 3A: Requerimientos de Carga de la Viga - Soportes Finales

Nombre del Sistema HLL	Pieza #	Configuration	A	B	C	D
2 Personas HLL Sintético PSR	770001 770003 770006	1-hombre	4,600 lbs	14,375 pie-lbs	1,800 lbs	1,500 pie-lbs
		2-hombres	7,400 lbs	23,125 pie-lbs	3,600 lbs	3,000 pie-lbs
4 Personas HLL Sintético	777030 777050 777075 777100	1-hombre	3,400 lbs	10,625 pie-lbs	1,800 lbs	1,500 pie-lbs
		2-hombres	5,400 lbs	16,875 pie-lbs	3,600 lbs	3,000 pie-lbs
		3/4-hombres	8,200 lbs	25,625 pie-lbs	7,200 lbs	6,000 pie-lbs
Kernmantle HLL	77302K 77602K	1-hombre	2,800 lbs	8,750 pie-lbs	1,800 lbs	1,500 pie-lbs
		2-hombres	5,400 lbs	16,875 pie-lbs	3,600 lbs	3,000 pie-lbs
HLL Cable Temporal SteelGrip®	620020 Al 620330	1-hombre	5,400 lbs	16,875 pie-lbs	1,800 lbs	1,500 pie-lbs
		2-hombres	6,600 lbs	20,625 pie-lbs	3,600 lbs	3,000 pie-lbs

\*Todos los valores incluyen el factor de seguridad 2: 1 según lo requerido por OSHA

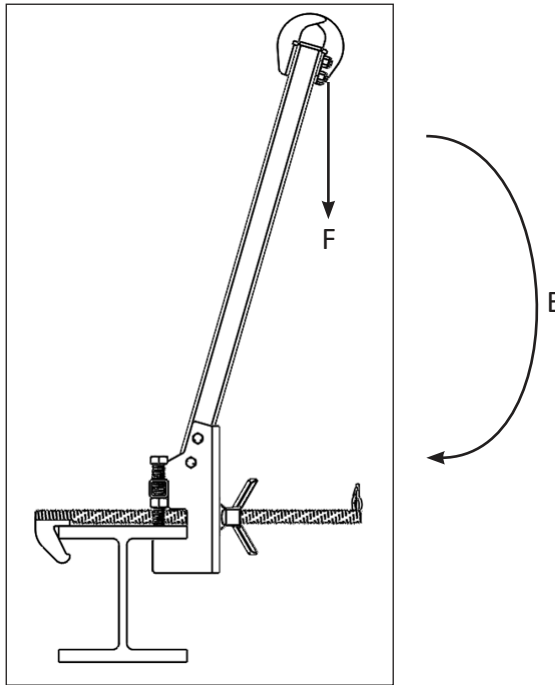


Figure 3B: Beam Load Requirements - Intermediate Stanchions				
HLL System Name	Part #	Configuration	E	F
SteelGrip® Temporary Cable HLL	620020 Through 620330	1-man	1,500 ft-lbs	1,800 lbs
		2-man	3,000 ft-lbs	3,600 lbs
*All values include 2:1 safety factor as required by OSHA				

Figura 3B: Requerimientos de Carga de la Viga - Soportes Intermedios				
Nombre del Sistema HLL	Pieza #	Configuración	E	F
HLL Cable Temporal SteelGrip®	620020 Al 620330	1-hombre	1,500 pie-lbs	1,800 lbs
		2-hombres	3,000 pie-lbs	3,600 lbs
*Todos los valores incluyen el factor de seguridad 2:1 según lo requerido por OSHA				

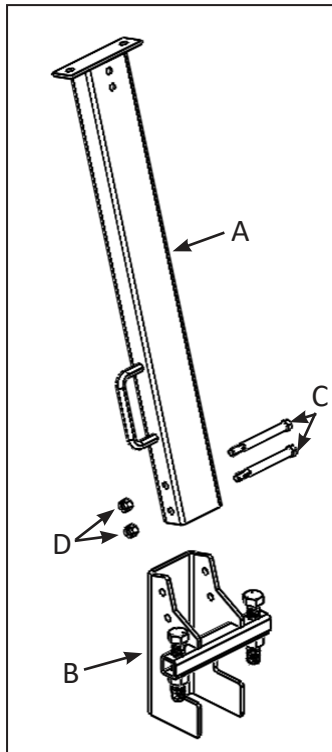


Figure 4: I-Beam Stanchion Assembly

**A) Stanchion Post B) I-Beam Stanchion Base C) Bolts D) Locknuts**

<b>1</b>	Insert stanchion post into I-beam stanchion base and align holes.
<b>2</b>	Insert provided bolts into the aligned holes.
<b>3</b>	Thread on and tighten locknuts onto bolts.

Figura 4: Montaje del Soporte Viga-I

**A) Poste del Soporte B) Base Soporte Viga-I C) Pernos D) Tuercas**

<b>1</b>	Inserte el poste del soporte en la base del soporte de la viga-I y alinee los orificios.
<b>2</b>	Inserte los tornillos suministrados en los orificios alineados.
<b>3</b>	Enrosque y apriete las tuercas en los pernos.

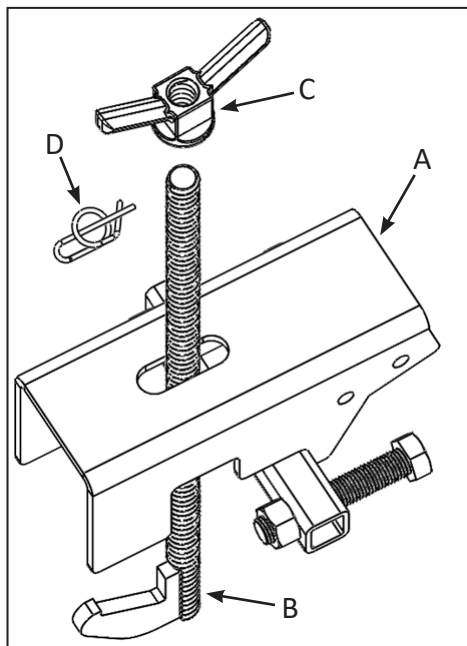


Figure 5: **Beam Clamp Installation**

**A) I-Beam Stanchion Base B) Clamp C) Wing Nut D) Cotter Pin**

<b>1</b>	Thread wing nut onto threaded rod of clamp.
<b>2</b>	Insert cotter pin into the hole at the end of the clamp rod.
<b>3</b>	Insert clamp assembly through the slot in the stanchion base as shown above.

Figura 5: **Instalación de la Abrazadera de la Viga**

**A) Base del Soporte de Viga-I B) Abrazadera C) Tuerca Mariposa D) Pasador de Chaveta**

<b>1</b>	Enrosque la tuerca mariposa en la varilla roscada de la abrazadera.
<b>2</b>	Inserte el pasador de chaveta en el orificio del extremo de la varilla de la abrazadera.
<b>3</b>	Inserte el montaje de la abrazadera a través de la ranura en la base del soporte como se muestra arriba.

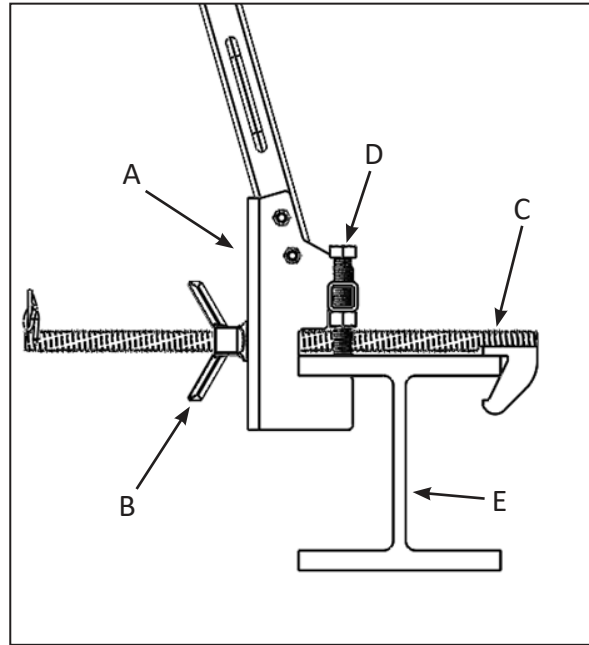


Figure 6: I-Beam Stanchion Installation

A) I-Beam Stanchion Base B) Wing Nut C) Clamp D) Mounting Bolts E) I-Beam

1	Following Figure 5, beam clamp must be inserted through the slot in the I-beam stanchion base before installing onto I-beam.
2	Place stanchion onto I-beam so the flange fits into the slotted section of the stanchion base as shown.
3	Tighten wing nut until stanchion draws completely into I-Beam.
4	Strike wing nut with tool to secure in place.
5	Tighten mounting bolts to secure stanchion in place.

Figura 6: Instalación del Soporte de la Viga-I

A) Base del Soporte de la Viga-I B) Tuerca Mariposa C) Abrazadera D) Pernos de Montaje E) Viga-I

1	Siguiendo la Figura 5, se debe insertar la abrazadera de la viga a través de la ranura en la base del soporte de la viga-I antes de instalarlo en la viga-I.
2	Coloque el soporte en la viga-I de forma tal que la pestaña encaje en la sección ranurada de la base del soporte como se muestra.
3	Apriete la tuerca mariposa hasta que el soporte llegue completamente a la viga-I.
4	Golpee la tuerca mariposa con la herramienta para asegurarla en su lugar.
5	Apriete los pernos de montaje para asegurar el soporte en su lugar.

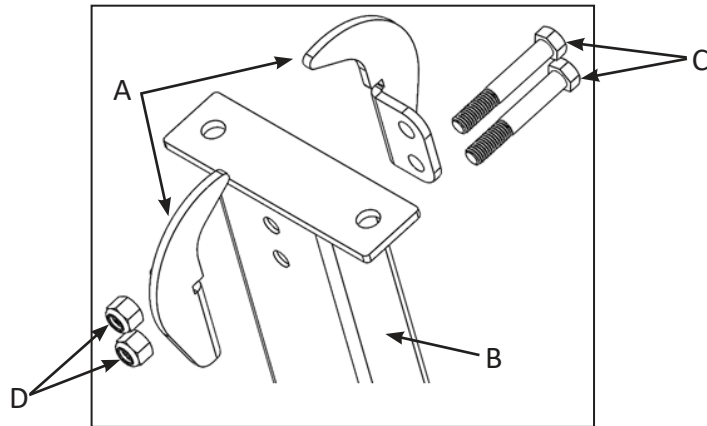


Figure 7: **Intermediate Pass-Through Bracket Installation**

**A) Pass-Through Brackets B) Stanchion Post C) Bolts D) Locknuts**

<b>1</b>	Align holes of pass-through brackets with holes of stanchion post.
<b>2</b>	Insert bolts through aligned holes.
<b>3</b>	Thread on and tighten locknuts.

Figura 7: **Instalación del Soporte de Paso Intermedio**

**A) Soportes de paso B) Poste del Soporte C) Pernos D) Tuercas**

<b>1</b>	Alinee los orificios de las placas pasantes con los orificios del poste de soporte.
<b>2</b>	Inserte los pernos a través de los orificios alineados.
<b>3</b>	Enrosque y apriete las tuercas.

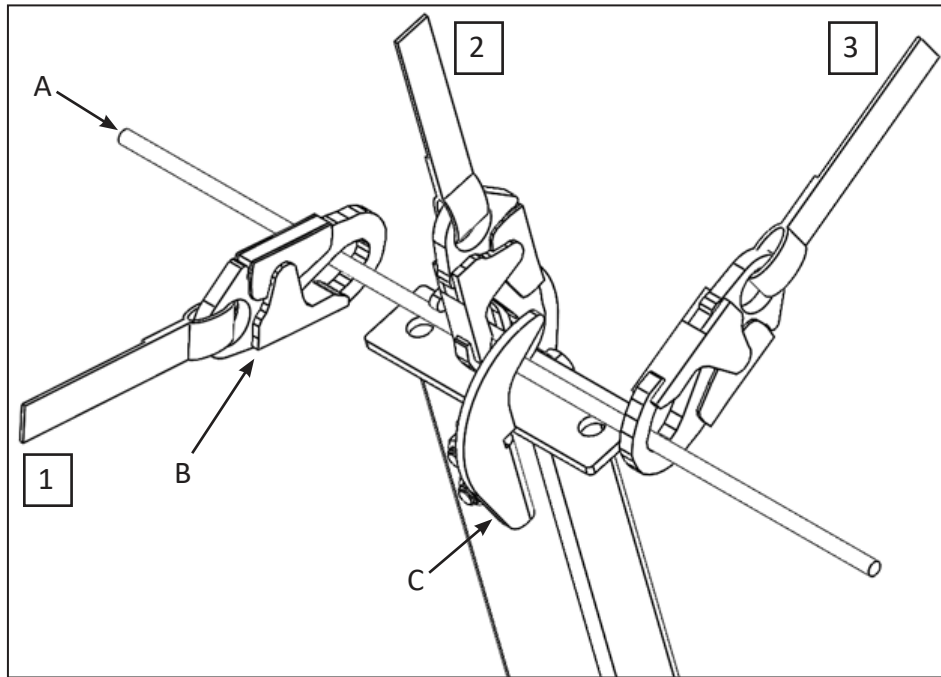


Figure 8: Navigating Pass-Through Brackets	
A) HLL B) Snaphook C) Pass-Through Brackets	
1	Slide snaphook past the first pass-through bracket.
2	Rotate snaphook to other side of HLL.
3	Slide snaphook past the second pass-through bracket.

Figura 8: Guía de los Soportes de Paso	
A) HLL B) Mosquetón C) Soportes de paso	
1	Deslice el mosquetón más allá del primer soporte de paso.
2	Gire el mosquetón a otro lado del HLL.
3	Deslice el mosquetón más allá del segundo soporte de paso.

## APPENDIX B

Fig. 1 - Minimum Clear Fall Requirement: 6 ft Shock Absorbing Lanyard Measured from Overhead Anchorage Connector		
A	6 ft	<b>Length of Shock Absorbing Lanyard</b> Original working length before a fall event occurs/before activation of energy absorber
B	4 ft	<b>Elongation/Deceleration Distance</b> Maximum allowable amount of elongation that may payout from the energy absorber upon activation during a fall event
C	1 ft	<b>Harness Stretch and Dorsal D-Ring Shift</b> Combined amount of harness webbing elongation and dorsal back D-ring up-shift during entire fall event
D	5 ft	<b>Height of Dorsal D-ring</b> Typical average height of the dorsal D-Ring on a user's full body harness measured from the walking/working surface up
E	1½ ft	<b>Safety Factor</b> Added length to account for other factors such as an improperly adjusted harness, actual worker height or worker weight
F	17½ ft	<b>Total Minimum Clear Fall Distance Required</b>

1. Overhead Anchorage 2. Walking/Working Surface 3. Nearest Lower Level or Obstruction

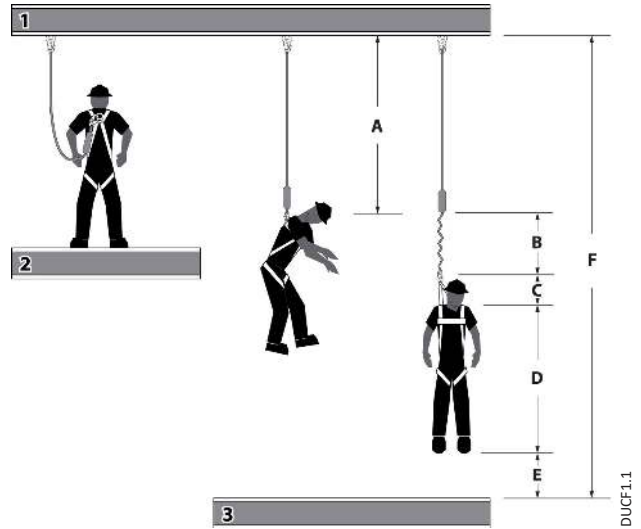


Fig. 1 - Requerimiento mínimo de claridad: línea de vida con amortiguación de impactos de 6 pies Medida desde el conector de anclaje superior		
A	6 pies (1,8 m)	<b>Longitud de la línea de vida con amortiguación de impactos</b> Longitud de trabajo original antes de ocurrir un evento de caída/antes de la activación del amortiguador de impactos
B	4 pies (1,2 m)	<b>Distancia de elongación/desaceleración</b> Cantidad máxima permitida de elongación que se puede emplear del amortiguador de energía al activarse durante un evento de caída
C	1 pie (0,3 m)	<b>Cambio del anillo en "D" dorsal y tramo del arnés</b> Cantidad combinada de la elongación de la red del arnés y el cambio del anillo en "D" dorsal durante un evento de caída completa
D	5 pies (1,5 m)	<b>Altura del anillo en "D" dorsal</b> Altura típica promedio del anillo en "D" dorsal en el arnés de cuerpo completo de un usuario, medida desde la superficie para caminar/trabajar hacia arriba
E	1½ pies (0,5 m)	<b>Factor de seguridad</b> Longitud agregada para contar otros factores tales como un ajuste inapropiado del arnés, la altura real del trabajador o el peso del trabajador
F	17½ pies (5,3 m)	<b>Distancia mínima total de caída despejada requerida</b>

1. Anclaje superior 2. Superficie para caminar/trabajar 3. Nivel inferior más cercano u obstrucción

TUCF1.2

Fig. 2 - Minimum Clear Fall Requirement: 12 ft Free Fall Lanyard Measured from Foot Level Anchorage Connector		
A	6 ft	<b>Length of Shock Absorbing Lanyard</b> Original working length before a fall event occurs/before activation of energy absorber
B	5 ft	<b>Elongation/Deceleration Distance</b> Maximum allowable amount of elongation that may payout from the energy absorber upon activation during a fall event
C	1 ft	<b>Harness Stretch and Dorsal D-Ring Shift</b> Combined amount of harness webbing elongation and dorsal back D-ring up-shift during entire fall event
D	5 ft	<b>Height of Dorsal D-ring</b> Typical average height of the dorsal D-Ring on a user's full body harness measured from the walking/working surface up
E	1½ ft	<b>Safety Factor</b> Added length to account for other factors such as an improperly adjusted harness, actual worker height or worker weight
F	18½ ft	<b>Total Minimum Clear Fall Distance Required</b>

1. Walking/Working Surface 2. Nearest Lower Level or Obstruction

Fig. 2 - Requisito mínimo de caída despejada: línea de vida con amortiguación de impactos para caídas de hasta 12 pies Medida desde el conector de anclaje superior		
A	6 pies (1,8 m)	<b>Longitud de la línea de vida con amortiguación</b> Longitud de trabajo original antes de ocurrir un evento de caída/antes de la activación del amortiguador de energía
B	5 pies (1,5 m)	<b>Distancia de elongación/desaceleración</b> Cantidad máxima permitida de elongación que se puede emplear del amortiguador de energía al activarse durante un evento de caída
C	1 pie (0,3 m)	<b>Cambio del anillo en "D" dorsal y tramo del arnés</b> Cantidad combinada de la elongación de la red del arnés y el cambio del anillo en "D" dorsal durante un evento de caída completa
D	5 pies (1,5 m)	<b>Altura del anillo en "D" dorsal</b> Altura típica promedio del anillo en "D" dorsal en el arnés de cuerpo completo de un usuario, medida desde la superficie para caminar/trabajar hacia arriba
E	1½ pies (0,5 m)	<b>Factor de seguridad</b> Longitud agregada para contar otros factores tales como un ajuste inapropiado del arnés, la altura real del trabajador o el peso del trabajador
F	18½ pies (5,6 m)	<b>Distancia mínima total de caída despejada requerida</b>

1. Superficie para caminar/trabajar 2. Nivel inferior más cercano u obstrucción

TUCF2.2

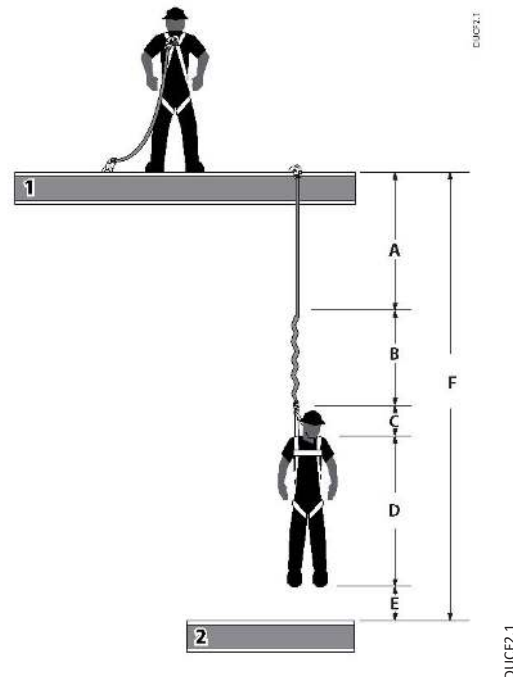


Fig. 3 - Minimum Clear Fall Requirement: ANSI Class A Self-Retracting Device		
A	2 ft	<b>Activation/Deceleration Distance</b> Maximum allowable length of cable or web that may payout from the SRD once deceleration of the user has begun and after a fall event occurs
B	1 ft	<b>Harness Stretch and Dorsal D-Ring Shift</b> Combined amount of harness webbing elongation and dorsal D-ring up-shift during entire fall event
C	1½ ft	<b>Safety Factor</b> Added length to account for other factors such as an improperly adjusted harness, actual worker height or worker weight
D	4½ ft	<b>Total Minimum Clear Fall Distance Required</b>

1. Overhead Anchorage 2. Walking/Working Surface 3. Nearest Lower Level or Obstruction

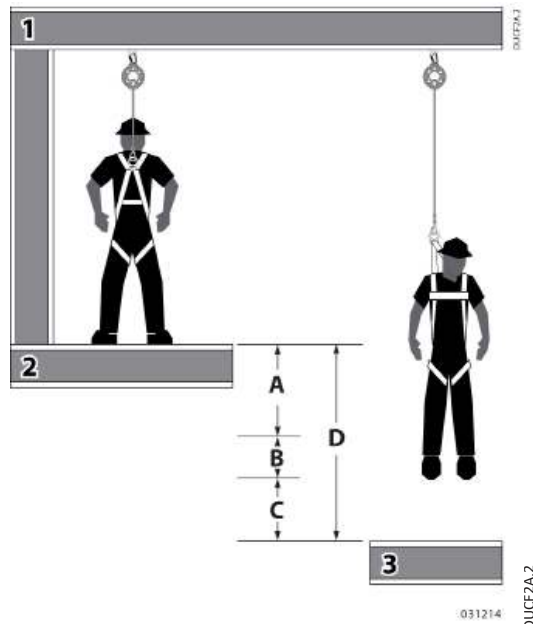


Fig. 3 - Requisito mínimo de caída despejada: Dispositivo auto-retráctil Tipo A de ANSI		
A	2 pies (0,6 m)	<b>Distancia de activación/desaceleración</b> Distancia máxima permitida del cable o red que puede emplearse desde el SRD una vez que la desaceleración del usuario ha comenzado y después de que ocurra un evento de caída
B	1 pie (0,3 m)	<b>Cambio del anillo en "D" dorsal y tramo del arnés</b> Cantidad combinada de la elongación de la red del arnés y el cambio del anillo en "D" dorsal durante un evento de caída completa
C	1½ pies (0,5 m)	<b>Factor de seguridad</b> Longitud agregada para contar otros factores tales como un ajuste inapropiado del arnés, la altura real del trabajador o el peso del trabajador
D	4½ pies (1,4 m)	<b>Distancia mínima total de caída despejada requerida</b>

1. Anclaje superior 2. Superficie para caminar/trabajar 3. Nivel inferior más cercano u obstrucción

TUCF2A.2

Fig. 4 - Minimum Clear Fall Requirement: ANSI Class B Self-Retracting Device		
A	4½ ft	<b>Activation/Deceleration Distance</b> Maximum allowable length of cable or web that may payout from the SRD once deceleration of the user has begun and after a fall event occurs
B	1 ft	<b>Harness Stretch and Dorsal D-Ring Shift</b> Combined amount of harness webbing elongation and dorsal D-ring up-shift during entire fall event
C	1½ ft	<b>Safety Factor</b> Added length to account for other factors such as an improperly adjusted harness, actual worker height or worker weight
D	7 ft	<b>Total Minimum Clear Fall Distance Required</b>

1. Overhead Anchorage 2. Walking/Working Surface 3. Nearest Lower Level or Obstruction

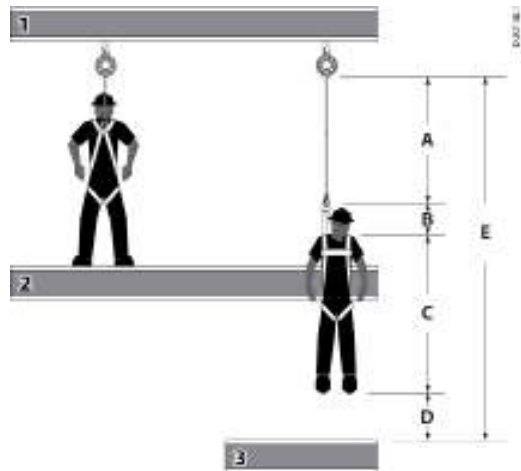


Fig. 4 - Requisito mínimo de caída despejada: Dispositivo auto-retráctil Tipo B de ANSI		
A	4½ pies (1,4 m)	<b>Distancia de activación/desaceleración</b> Distancia máxima permitida del cable o red que puede emplearse desde el SRD una vez que la desaceleración del usuario ha comenzado y después de que ocurra un evento de caída
B	1 pie (0,3 m)	<b>Cambio del anillo en "D" dorsal y tramo del arnés</b> Cantidad combinada de la elongación de la red del arnés y el cambio del anillo en "D" dorsal durante un evento de caída completa
C	1½ pies (0,5 m)	<b>Factor de seguridad</b> Longitud agregada para contar otros factores tales como un ajuste inapropiado del arnés, la altura real del trabajador o el peso del trabajador
D	7 pies (2,1 m)	<b>Distancia mínima total de caída despejada requerida</b>

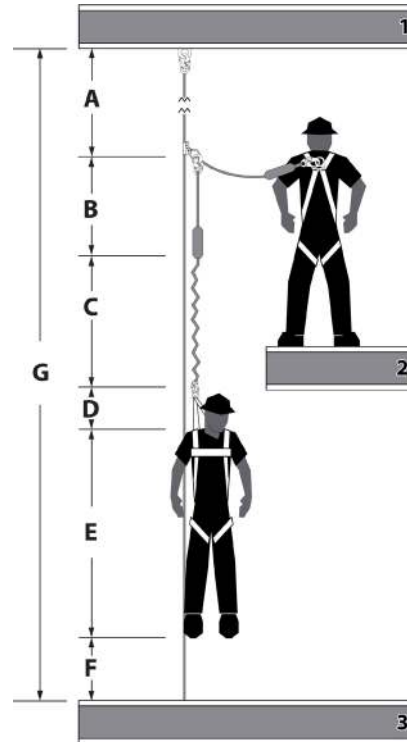
1. Anclaje superior 2. Superficie para caminar/trabajar 3. Nivel inferior más cercano u obstrucción

TUCF2B.1

DUCF3B.1

Fig. 5 - Managing Stretch		
Minimum Clear Fall Requirement: Vertical Lifeline System		
*A	Stretch	<b>Stretch of Vertical Lifeline</b> Stretch = length of VLL from Anchorage Connector to Rope Grab position on VLL multiplied by 10%
B	3 ft	<b>Length of Shock Absorbing Lanyard</b> Original working length before a fall event occurs/before activation of energy absorber
C	4 ft	<b>Elongation/Deceleration Distance</b> Maximum allowable amount of elongation that may payout from the energy absorber upon activation during a fall event
D	1 ft	<b>Harness Stretch and dorsal D-ring Shift</b> Combined amount of harness webbing elongation and dorsal D-ring up-shift during entire fall event
E	5 ft	<b>Height of Dorsal D-ring</b> Average height of the dorsal D-Ring on a user's full body harness measured from the walking/working surface up
F	1½ ft	<b>Safety Factor</b> Added length to account for other factors such as an improperly adjusted harness, actual worker height or worker weight
*G	Add A through F	<b>Total Minimum Clear Fall Distance Required</b> *(must calculate for distance A)

1. Overhead Anchorage 2. Walking/Working Surface 3. Nearest Lower Level or Obstruction



DUCF4C.2

Fig. 5 - Distancia total de caídas		
Requerimiento mínimo de claridad: Sistema de cuerda de salvamento vertical		
*A	Estiramiento	<b>Estiramiento de la cuerda de salvamento vertical</b> Estiramiento = longitud de la VLL desde el conector de anclaje hasta la posición de agarre de la cuerda en VLL multiplicado por 10%
B	3 pies (0,9 m)	<b>Longitud de la cuerda con amortiguación</b> Longitud de trabajo original antes de ocurrir un evento de caída/antes de la activación del amortiguador de energía
C	4 pies (1,2 m)	<b>Distancia de elongación/desaceleración</b> Cantidad máxima permitida de elongación que se puede emplear del amortiguador de energía al activarse durante un evento de caída
D	1 pie (0,3 m)	<b>Cambio del anillo en "D" dorsal y tramo del arnés</b> Cantidad combinada de la elongación de la red del arnés y el cambio del anillo en "D" dorsal durante un evento de caída completa
E	5 pies (1,5 m)	<b>Altura del anillo en "D" dorsal</b> Altura típica promedio del anillo en "D" dorsal en el arnés de cuerpo completo de un usuario, medida desde la superficie para caminar/trabajar hacia arriba
F	1½ pies (0,5 m)	<b>Factor de seguridad</b> Longitud agregada para contar otros factores tales como un ajuste inapropiado del arnés, la altura real del trabajador o el peso del trabajador
*G	Sumar A hasta F	<b>Distancia mínima total de caída despejada requerida</b> *(debe calcular para la distancia A)

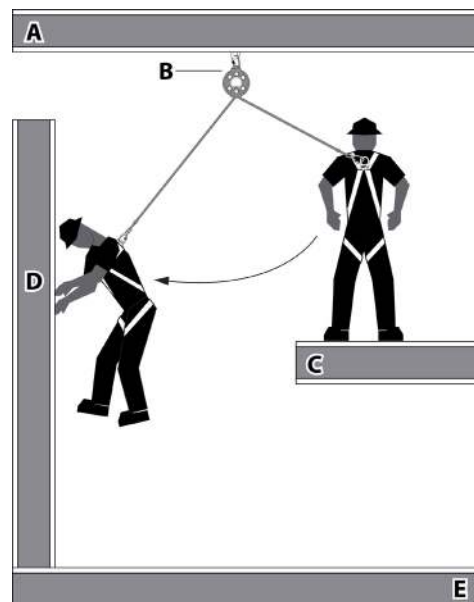
1. Anclaje superior 2. Superficie para caminar/trabajar 3. Nivel inferior más cercano u obstrucción

TUCF4C.1

Fig. 6 - Swing Fall Hazard	
A	Anchorage
B	Self-Retracting Device (SRD)
C	Walking/Working Surface
D	Swing Fall Impact after fall event
E	Next Lower Level or Obstruction

Fig. 6 - Peligro de caída con balanceo	
A	Anclaje
B	Dispositivo autorretráctil (SRD)
C	Superficie para caminar/trabajar
D	Impacto de caída con balanceo después del evento de caída
E	Siguiente nivel inferior u obstrucción

TUSF1.1

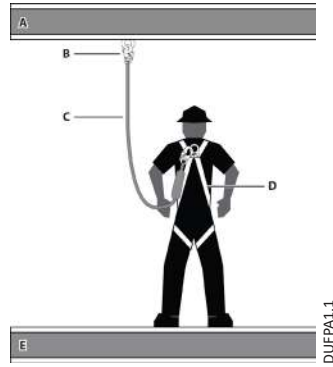


DUSF1.2

## Common Fall Protection Applications

**Fig. 7 - Fall Arrest (PFAS)**

A	Anchorage
B	Anchorage Connector
C	Shock Absorbing Lanyard (SAL)
D	Full Body Harness (FBH)
E	Walking/Working Surface



TUFPAL.1

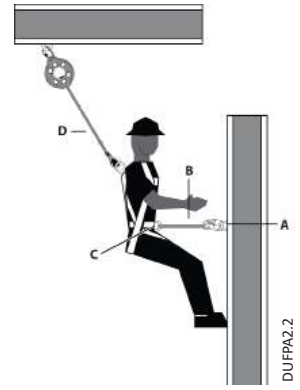
DUFPAL.1

**Fig. 7 - Detención de caídas (PFAS)**

A	Anclaje
B	Conector de anclaje
C	Cuerda de salvamento con amortiguación (SAL)
D	Arnés de cuerpo completo (FHB)
E	Superficie para caminar/trabajar

**Fig. 8 - Work Positioning**

A	Positioning Anchor
B	Positioning Lanyard
C	Full Body Harness (FBH) with Side D-Rings
D	Back-up Fall Arrest (PFAS)



TUFPAL.1

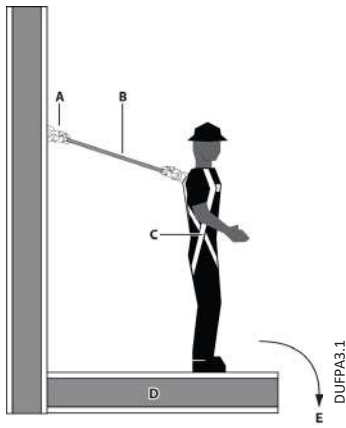
DUFPAL.2

**Fig. 8 - Posicionamiento del trabajo**

A	Anclaje de posicionamiento
B	Cordón de posicionamiento
C	Arnés de cuerpo completo (FBH) con anillos en "D" laterales
D	Detención de caídas de respaldo (PFAS)

**Fig. 9 - Restraint**

A	Restraint Anchor
B	Restraint Lanyard
C	Full Body Harness (FBH)
D	Walking/Working Surface
E	Fall Hazard Area



TUFPAL.1

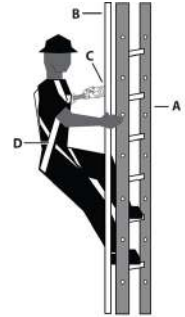
DUFPAL.1

**Fig. 9 - Restricción**

A	Anclaje de restricción
B	Cordón de restricción
C	Arnés de cuerpo completo (FHB)
D	Superficie para caminar/trabajar
E	Área de peligro de caídas

**Fig. 10 - Climbing**

A	Fixed Ladder
B	Ladder Safety System
C	Safety Sleeve/Grab/Trolley
D	Full Body Harness (FBH) with Front D-Ring



TUFPAL.1

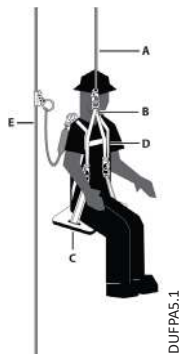
DUFPAL.1

**Fig. 10 - Escalar**

A	Escalera fija
B	Sistema seguridad de escalera
C	Funda de seguridad/agarre/carrito
D	Arnés de cuerpo completo (FBH) con anillo en "D" delantero

**Fig. 11 - Suspension/Personnel Riding**

A	Suspension Line
B	Suspension Yoke
C	Boatswain's Chair/Work Seat
D	Full Body Harness (FBH)
E	Back-up Fall Arrest (PFAS)



TUFPAL.1

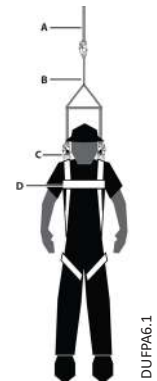
DUFPAL.1

**Fig. 11 - Montaje de personal/suspensión**

A	Línea de suspensión
B	Balancín de suspensión
C	Asiento/silla de trabajo de especialista de maniobra
D	Arnés de cuerpo completo (FHB)
E	Detención de caídas de respaldo (PFAS)

**Fig. 12 - Rescue/Retrieval**

A	Retrieval Line
B	Retrieval Yoke
C	FBH Shoulder D-Rings
D	Full Body Harness (FBH)



TUFPAL.1

DUFPAL.1

**Fig. 12 - Rescate/Retirada**

A	Línea de retirada
B	Balancín de retirada
C	Anillos en "D" para los hombros del FBH
D	Arnés de cuerpo completo (FHB)

