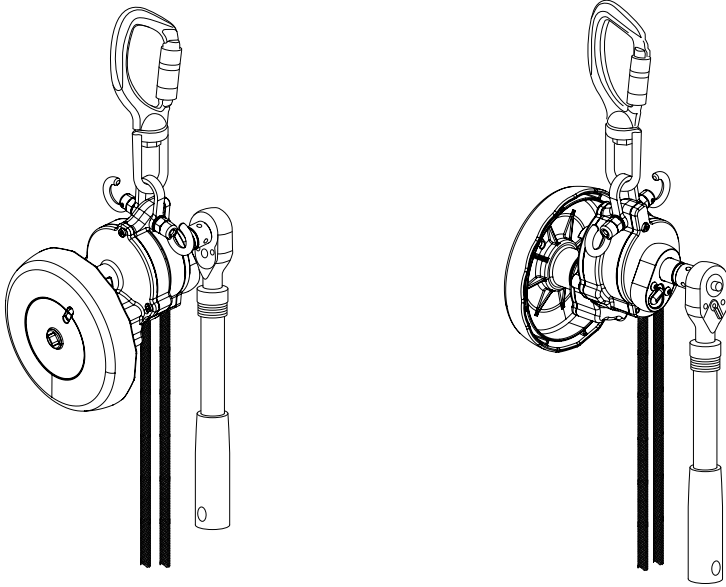




User Instruction Manual

# **UNIDRIVE**

## **Rescue and Descent Device**



This manual is intended to meet the Manufacturer's Instructions as required by the American National Standards Institute (ANSI) Z359 and should be used as part of an employee training program as required by the Occupational Safety and Health Administration (OSHA).

**FallTech © 2024**

1306 South Alameda Street Compton, CA 90221, USA

1-800-719-4619 • 1-323-752-0066

[www.FallTech.com](http://www.FallTech.com)

## Table of Contents

1.0 Warnings and Important Information .....	3
2.0 Description .....	4
3.0 Application .....	5
4.0 System Requirements.....	5
5.0 Installation and Use .....	7
6.0 Maintenance, Service, and Storage.....	10
7.0 Inspection.....	10
8.0 Labels.....	13
9.0 Definitions .....	14

For the purposes of this manual, the FallTech® UniDrive Rescue and Descent Device in all iterations may be referred to collectively as the UniDrive, the UniDrive System, the Rescue system, the Rescue System, the Descent system, the rescue device, the descent control device, the descent device, the equipment, the device, the product, or the unit.

Throughout this manual, ANSI Z359.0-2012 fall protection words, phrases, and terms are used. These terms are all formally defined in Section 9 of this manual.

Any non-English translations of this user instruction manual are for reference only.

 **WARNING**

- Users of this equipment must be properly trained in its use.
- Avoid moving machinery, thermal, electrical, and/or chemical hazards as contact may cause serious injury or death.
- At no point shall this equipment be subjected to fall arrest forces.
- Follow the weight restrictions and recommendations in this manual.
- Remove from service any equipment subjected to fall arrest forces.
- Remove from service any equipment that fails inspection.
- Do not alter or intentionally misuse this equipment.
- Consult FallTech when using this equipment in combination with components or subsystems other than those described in this manual.
- Do not connect rebar hooks, large carabiners, or large snap hooks to the FBH dorsal D-rings as this may cause a roll-out condition and/or unintentional disengagement.
- Avoid sharp and/or abrasive surfaces and edges.
- Use caution when performing arc welding. Arc flash from arc welding operations, including accidental arcs from electrical equipment, can damage equipment and are potentially fatal.
- Examine the work area. Be aware of the surroundings and workplace hazards that may impact safety, security, and the functioning of fall arrest systems and components.
- Hazards may include but not be limited to cable or debris tripping hazards, equipment failures, personnel mistakes, moving equipment such as carts, barrows, fork lifts, cranes, or dollies. Do not allow materials, tools or equipment in transit to contact any part of the fall arrest system.
- Do not work under suspended loads.

 **IMPORTANT**

## 1.0 Warnings and Important Information

This product is part of a personal restraint, work positioning, suspension, or rescue system.

These instructions must be provided to the worker using this equipment. The worker must read and understand the manufacturer's instructions for each component or part of the complete system. Manufacturer's instructions must be followed for proper use, care, and maintenance of this product. These instructions must be retained and be kept available for the worker's reference at all times. Alterations or misuse of this product, or failure to follow instructions, may result in serious injury or death. These operating instructions are not a substitute for training and do not relieve the user of his obligation to evaluate the safety-related situations of the work or rescue and to take all necessary measures in order to ensure the safe use of the device.

A Fall Protection Plan and a Rescue Plan must be on file and available for review by all workers. It is the responsibility of the worker and the purchaser of this equipment to assure that users of this equipment are properly trained in its use, maintenance, and storage. Training must be repeated at regular intervals. Training must not subject the trainee to fall hazards.

Consult a doctor if there is reason to doubt your fitness to safely absorb the shock of a fall event. Age and fitness seriously affect a worker's ability to withstand falls. Pregnant women or minors must not use this equipment.

ANSI limits the weight of fall protection equipment users to a maximum of 310 lbs. Products in this manual may have a rated capacity exceeding ANSI capacity limits. Heavy users experience more risk of serious injury or death due to falls because of increased fall arrest forces placed on the user's body. In addition, the onset of suspension trauma after a fall even may be accelerated for heavy users.

The user of the equipment discussed in this manual must read and understand the entire manual before beginning work.

**NOTE:** For more information consult the ANSI Z359 body of standards.

## 2.0 Description

The FallTech® UniDrive Rescue and Descent Device is a multi-functional device that may be used as a rescue device, descent control device, and/or work positioning device. The UniDrive is suitable for self- or assisted rescue, controlled descent, and/or vertical work lifting/positioning applications. The UniDrive is designed for overhead anchorage attachment or personal sternal/frontal attachment for self- or assisted rescue operations.

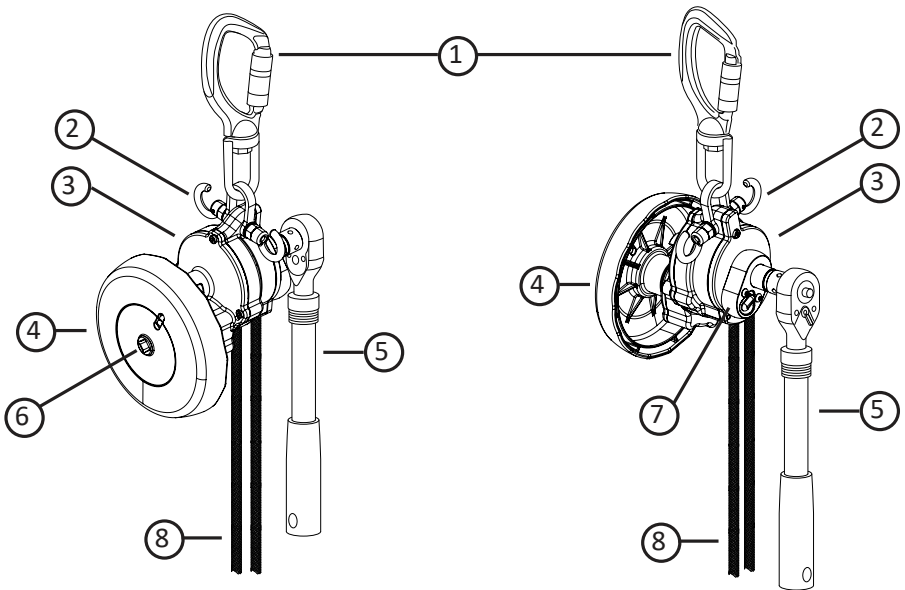
The UniDrive utilizes a centrifugal force brake mechanism to ensure constant descent velocity during descent or rescue. The brake mechanism is separate from the rope pulley mechanism to prevent moisture or debris from the rope affecting descent control.

When used in rescue or work positioning applications, there are three lifting modes: a manually operated handwheel, a removeable, telescoping ratchet handle, and a drill bit adapter for powered use. The UniDrive features a torque limiter to prevent the overloading of the device during lifting operations.

This product is not suitable for applications with leading edge exposures where the lifeline of this device may come in contact with an edge during use. If such exposure is a required for the application at hand, an edge protection device must be used to ensure the rope is not damaged during use. Contact FallTech for more information or product selection questions.

This manual contains one Appendix that contains figures and tables specific to the UniDrive Rescue and Descent Device discussed in this manual.

Figure 1 below shows the components of the UniDrive that may be referred to in this user instruction manual. See Table 1A in Appendix A for product and materials specifications.



**Figure 1 - About FallTech® UniDrive Rescue and Descent Device**

<b>1</b>	Device Carabiner	<b>5</b>	Removable, Telescoping Ratchet
<b>2</b>	Belay Hooks	<b>6</b>	1/4" Drive Drill Adapter Receiver
<b>3</b>	Device Body/Housing	<b>7</b>	Travel Direction Lever
<b>4</b>	Handwheel	<b>8</b>	Rescue Rope (Rescue Rope Carabiners not shown)

## **2.1 American National Standards Institute (ANSI) and Occupational Safety and Health Administration (OSHA):**

The rescue and descent device discussed in this manual meets the standard of ANSI Z359.4-2013 and Occupational Safety and Health Administration (OSHA) regulations 1926.502 and 1910.140.

ANSI requires rescue systems to be classified according to maximum number of users and qualified via static strength and dynamic performance testing. Classification information found on product labels is based on test results. Table 1B provides performance specifications for the rescue system discussed in this manual.

## **3.0 Application**

### **3.1 Purpose:**

The FallTech® UniDrive Rescue and Descent Device is a pre-engineered rescue system that is designed to be used as a component in a Personal Fall Arrest System (PFAS) or rescue system to facilitate the rescue of one or more workers.

### **3.2 Personal Fall Arrest System:**

A PFAS is an assembly of components and subsystems used to arrest a person during a fall event. A PFAS typically consists of an anchorage, a deceleration device such as a Shock Absorbing Lanyard (SAL), a Self-Retracting Device (SRD), or a Fall Arrestor Connecting Subsystem (FACSS), and a properly fitted Full Body Harness (FBH). Maximum permissible free fall in a typical PFAS is 6' (1.8 m).`

### **3.3 Application Limits:**

Care should be taken to understand the capacity of the system, anchorage strength requirements, approved applications, device configurations, and other requirements. Take action to avoid sharp edges, abrasive surfaces, and thermal, electrical, and chemical hazards. This product is not suitable for applications with leading edge exposures where the lifeline of this device may come in contact with an edge during use. If such exposure is a required for the application at hand, an edge protection device must be used to ensure the rope is not damaged during use. Contact FallTech for more information or product selection questions.

### **3.4 Approved Applications:**

Below are applications for which all FallTech® UniDrive Rescue and Descent Devices are specifically suited. All applications require a full body harness. This list is not all-inclusive, but is intended to anticipate the most common applications in which this product may be used.

#### **3.4.1 Descent (Descent Control Device):**

The UniDrive may be used as a descender or descent control device for one or two persons simultaneously or several people individually, one after the other in shuttle operation. The UniDrive will automatically restrict descent speed based on the load on the device.

#### **3.4.2 Rescue:**

The UniDrive can be used for rescue after a fall event and is suitable for self- or assisted rescue. Assisted rescue may be conducted from a fixed walking-working surface or the device may be attached to the rescuer so they may descend to the victim for rescue. Ensure a written rescue plan, method, and system is in place and readily available for rapid response. Rescues may require specialized equipment or measures. Rescue operations are beyond the scope of this manual. See ANSI Z359.4 and Z359.2.

## **4.0 System Requirements**

### **4.1 Capacity:**

The UniDrive Rescue and Descent Device is designed for use by:

- one user with a combined weight of user, tools, clothing etc. of 130 to 310 lbs. (59 to 141 kg) to comply with ANSI and OSHA
- one or two users with a combined weight of user(s), tools, clothing etc. of 130 to 440 lbs (59 - 200 kg) to comply with OSHA only

Depending on the application or rescue operation, capacity may be limited by the number of and length of descents. See Table 1B in Appendix A for complete capacity and performance specifications.

#### 4.2 Compatibility of Connectors:

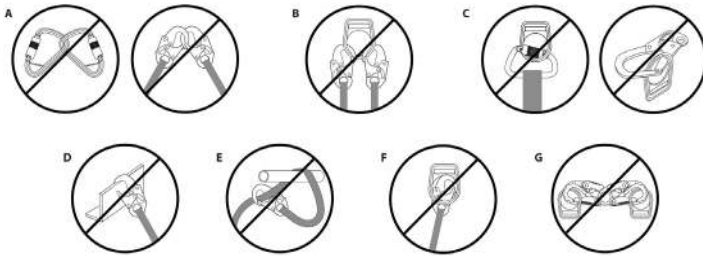
Connectors are considered to be compatible with connecting elements when they have been designed to work together in such a way that their sizes and shapes do not cause their gate mechanisms to inadvertently open regardless of how they become oriented. Contact FallTech if you have any questions about compatibility. Connectors must be compatible with the anchorage or other system components. Do not use equipment that is not compatible. Non-compatible connectors may unintentionally disengage. Connectors must be compatible in size, shape, and strength. Self-closing, self-locking connectors are required by ANSI and OSHA.

#### 4.3 Compatibility of Components:

Equipment is designed for use with approved components and subsystems only. Substitutions or replacements made with non-approved components or subsystems may jeopardize compatibility of equipment and may affect the safety and reliability of the complete system.

#### 4.4 Making Connections:

Only use self-locking connectors with this equipment. Only use connectors that are suitable to each application. Ensure all connections are compatible in size, shape, and strength. Do not use equipment that is not compatible, see Figure 3. Visually ensure all connectors are fully closed and locked. Connectors are designed to be used only as specified in each product's user's instructions.



**Figure 3 - Non-Compatible Connections**

Figure 3 - Non-Compatible Connections	
<b>A</b>	Never connect two active components (snap hooks or carabiners) to each other.
<b>B</b>	Never connect two active components (snap hooks or carabiners) to a single D-ring at the same time.
<b>C</b>	Never connect in a way that would produce a condition of loading on the gate.
<b>D</b>	Never attach to a object in a manner whereby the gate (of the snap hook or carabiner) would be prevented from fully closing and locking. Always guard against false connections by visually inspecting for closure and lock.
<b>E</b>	Never attach explicitly to a constituent subcomponent (webbing, cable or rope) unless specifically provided for by the manufacturer's instructions for both subcomponents (snap hook or carabiner and webbing, cable or rope).
<b>F</b>	Never attach in a manner where an element of the connector (gate or release lever) may become caught on the anchor thereby producing additional risk of false engagement.
<b>G</b>	Never attach a spreader snap hook to two side/positioning D-rings in a manner whereby the D-rings will engage the gates; the gates on a spreader must always be facing away from the D-rings during work positioning.

#### 4.5 Rescue System:

A Rescue System is an assembly of components and subsystems used to rescue a person after a fall event. A fall arrest system is typically composed of an anchorage and a FBH, with a deployed energy absorbing connecting device, i.e., an SAL, an SRD, or a Fall Arrestor Connecting Subsystem (FACSS), connected to the dorsal D-ring of the fall victim's FBH. The rescuer may or may not also need fall protection equipment depending on the rescue operation at hand and hazards in the rescue area. Rescue components used in conjunction with this Rescue Device should comply with ANSI Z359 requirements, and applicable OSHA regulations.

#### 4.6 Safe Descent Path and Landing Area:

For all operations utilizing the UniDrive Rescue and Descent Device, the planned path of descent and the planned landing area shall be free of any obstructions to allow for the safe execution and completion of the operation. Failure to do so may result in serious injury or death. If a rescue operation requires the victim to be lifted instead of descended to safety due to unsafe landing area, the rescuer shall take appropriate measures to ensure that the victim cannot accidentally descend into a hazard.

#### 4.7 Rescue Anchorage Strength:

An anchorage selected for rescue operations must have a strength able to sustain a static load applied in the direction permitted by the rescue of at least:

- a. Five times the maximum load permitted when certification exists, or
- b. 2,200 lbs. (22.2 kN) in the absence of certification.

Select an anchorage location carefully. Consider structural strength, obstructions in the descent/rescue path, and other potential hazards. If more than one rescue device is attached to the same anchorage, the anchorage minimum strength shall be multiplied by the number of devices connected to the anchorage.



**Do not alter or intentionally misuse this equipment. Consult FallTech when using this equipment in combination with components or subsystems other than those described in this manual. All components or subsystems used with the rescue device discussed in this manual must be in compliance with ANSI Z359 and/or OSHA.**

### 5.0 Installation and Use

#### 5.1 Install the Rescue Device

Examine the work area for possible hazards. Take caution to avoid overhead hazards such as cranes, poles, overhead power cables, and walking/working surface hazards such as power cables, welding leads, air, and fluid hoses, including obstruction hazards such as vertical columns and stacks of materials on the lower level. Eliminate hazards where possible.

Ensure the anchorage provides the required clear descent path below the walking/working surface and meets the requirements in Section 4. If at any point during the work or rescue operation there are fall hazards present, the appropriate fall protection equipment shall be used in addition to the equipment described in this user manual.

Inspect the Device per the "Pre-Use Inspection Requirements" in Section 7 before use. Full inspection may be required pre-use if it cannot be confirmed that the device was fully inspected before the device was stored.

#### 5.2 Automatic Descent/Rescue - Device to Fixed, Single Point Anchor

The Rescue Device shall only be used by persons who have been instructed in its safe use and who have the appropriate knowledge in its use as an automatic descent or descent control device. When descending, the rescue rope shall not travel over sharp edges or abrasive surfaces. Protect ropes against sharp edges, abrasive surfaces, and other hazards that may damage the rope during operation. Wear protective gloves.

##### 5.2.1 Anchoring the Rescue Device - Device to Fixed, Single Point Anchor

Remove the device from the storage container. Connect the Rescue Device to the fixed, single point anchor via the Device Carabiner. Ensure that there are no knots or kinks in the Rescue Rope and the device hangs straight and free.

##### 5.2.2 Using the Rescue Device - Device to Fixed, Single Point Anchor

Connect the rescue rope carabiner adjacent to the rescue device to the appropriate attachment point on the full body harness. Remove any slack from the device to the full body harness attachment point. At no point shall the rescue device be subjected to freefall or fall arrest.

Deploy the stored rescue rope down to the intended rescue landing spot. Ensure that there are no knots or kinks in the Rescue Rope and the device hangs straight and free.

In the unloaded condition, when there is no suspended load on the rope, the travel direction lever on the release head on the back of the rescue device can be operationally shifted and the direction of travel of the rescue device selected. To descend, the travel direction lever must point towards the long side of the rescue rope deployed to the landing spot. Direction switching of the travel direction lever can only be done when there is no load on the device. If there is a suspended load, the load must be held by operating the handwheel before the travel direction can be switched.

Before initiating the rescue or descent, all slack in the user connected side of the rope shall be removed to prevent freefall.

The rescue system is now configured for Automatic Descent/Rescue of one or two users simultaneously. For two-user simultaneous descent, both users must be connected to the rescue rope carabiner and/or by approved alternate means. Two-user simultaneous descent shall only be used when descent via shuttle operation is not possible. See Section 5.2.3 for multiple user descent/rescue via shuttle operation.

If the descending load needs to be stopped, an operator, who is not actively descending, may use the device handwheel with minimal effort. If the actively descending user needs to control descent speed or stop, then the loose, unloaded end of the rescue rope may be guided through the open eyebolt and stretched tight downwards also known as belaying the rope. In this position the operator can hold the weight with one hand with minimal effort. By slowly guiding the free end of the rescue rope, the operator can now control the speed of the descent and stop it at any time. Note that this type of rescue depends on appropriate rope length to control the entire descent length. Do not attempt to belay the rope unless specifically trained.

### **5.2.3 Using the Rescue Device, Shuttle Operation - Device to Fixed, Single Point Anchor**

For rescues of multiple victims, each victim must have a full body harness. Rescue will be conducted one person at a time until the rescue operation is complete.

The FallTech UniDrive Rescue Device can operate in both directions, facilitating prompt rescue of multiple victims via shuttle operation. Follow steps in Section 5.2.2 for the rescue of the first/initial user. Do not belay the rope for shuttle operation use.

After the first user has descended, they must disconnect from the rescue rope carabiner.

The second user may now attach to the opposite rescue rope carabiner. Remove any slack from the device to the full body harness attachment point. At not point shall the rescue device be subjected to freefall or fall arrest.

Switch the travel direction lever so that the second user may now descend.

This process can be repeated until all persons are descended/rescued. Depending on the application or rescue operation, capacity may be limited by the number of and length of descents. See Table 1B in Appendix A for complete capacity and performance specifications.

## **5.3 Rescue/Descent - Device Connected to Rescuer/User**

The Rescue Device shall only be used by persons who have been instructed in its safe use and who have the appropriate knowledge in its use as a self- or assisted rescue device. When lifting or descending, the rescue rope shall not travel over sharp edges or abrasive surfaces. Protect ropes against sharp edges, abrasive surfaces, and other hazards that may damage the rope during operation. Wear protective gloves.

### **5.3.1 Anchoring the Rescue Device - Device Connected to Rescuer/User**

Remove the device from the storage container. Connect the Rescue Device to the sternal or frontal attachment point on the full body harness via the Device Carabiner. Ensure that there are no knots or kinks in the Rescue Rope and the device hangs straight and free. Connect the rescue rope carabiner adjacent to the rescue device to the anchor point. Remove any slack from the device to the full body harness attachment point. At not point shall the rescue device be subjected to freefall or fall arrest.

### **5.3.2 Using the Rescue Device - Device Connected to Rescuer/User**

Deploy the stored rescue rope down to the intended rescue landing spot. Ensure that there are no knots or kinks in the Rescue Rope and the device hangs straight and free.

In the unloaded condition, when there is no suspended load on the rope, the travel direction lever on

the release head on the back of the rescue device can be operationally shifted and the direction of travel of the rescue device selected. To descend, the travel direction lever must point towards the long side of the rescue rope deployed to the landing spot. Direction switching of the travel direction lever can only be done when there is no load on the device. If there is a suspended load, the load must be held by operating the handwheel before the travel direction can be switched.

Before initiating the rescue or descent, all slack in the user connected side of the rope shall be removed to prevent freefall.

The rescue system is now configured for Automatic Descent/Rescue of one or two users simultaneously. For two-user simultaneous descent, both users must be connected to the rescue rope carabiner and/or by approved alternate means.

If the descending load needs to be stopped, the user may use the device handwheel with minimal effort/pressure. The user can now control the speed of the descent and stop it at any time. Do not attempt to belay the rope unless specifically trained.

In the event of assisted rescue, it may be necessary for the rescuer to lift the victim in order to disengage a personal fall arrest system. See Section 5.4 for Lifting procedures.

#### **5.4 Rescue/Descent - Lifting**

The Rescue Device shall only be used by persons who have been instructed in its safe use and who have the appropriate knowledge in its use as a self- or assisted rescue device. When lifting or descending, the rescue rope shall not travel over sharp edges or abrasive surfaces. Protect ropes against sharp edges, abrasive surfaces, and other hazards that may damage the rope during operation. Wear protective gloves.

As part of the planned rescue operations, it may be necessary to raise the victim to the operating level of the rescue device or raise the victim enough to remove the tension on an engaged personal fall arrest system. When the load is stopped or there is no load on the system, the travel direction lever may be switched while the load is held by the handwheel.

In order to lift, the rescue device travel direction lever must be engaged so that the load is held and is not allowed to descend. In this configuration, upward travel may begin from one of three input methods: a manually operated handwheel, a removeable, telescoping ratchet handle, or a drill bit adapter for powered use. The UniDrive features a torque limiter to prevent the overloading of the device during lifting operations.

After lifting, descent capability may be restored via the travel direction lever and the load being held by the handwheel.

For lifting with a cordless screwdriver, FallTech recommend a minimum 18V/4.0aH power level. Do not use an impact driver with the UniDrive as it already contains torque limiting and gear reduction mechanisms to support smooth lifting.

Depending on the application or rescue operation, capacity may be limited by the number of and length of descents. See Table 1B in Appendix A for complete capacity and performance specifications.

#### **5.5 After Use:**

The FallTech UniDrive Rescue Device shall be removed from service once used. In order to return to service, a Competent Person shall fully inspect the device per the requirements of Section 7.0 after any use or removal of product from storage container. To ensure prompt rescue for future use, it is critical to fully inspect and prepare the UniDrive for future use before repacking.

Units that are used for rescue operations shall have their usage documented and recorded for regular service based on usage. See Table 1B in Appendix A for rescue device usage limits.

## 6.0 Maintenance, Service, and Storage

### 6.1 Maintenance:

Ensure the rescue device is kept free of excess paint, grease, dirt or other contaminants as this may cause the mechanism to malfunction. Ensure no debris enters the housing through the rope access port. Clean the exterior of the unit as required with a detergent/water solution. Avoid water other corrosion causing elements to enter the housing. After cleaning, allow the unit to air dry. Clean labels as required.

- DO NOT use heat to dry.
- DO NOT attempt to disassemble the Rescue Device unless authorized in writing by the manufacturer.

### 6.2 Service:

If service is required for any reason; inspection failure, usage limits, any type of malfunction, tag the unit as "UNUSABLE", store separately, and contact FallTech at 323-752-0066 to receive a Return Authorization number. The Rescue Device is not user repairable. Only the manufacturer, or someone authorized in writing, may make repairs to the Rescue Device.

### 6.3 Storage:

The Rescue Device shall be stored in an appropriate container to protect the device in a cool, dry, clean environment out of direct sunlight. Avoid caustic, chemical, or other hazardous environments. Additional storage means other than those provided by FallTech may be necessary depending on the storage environment.

## 7.0 Inspection

### 7.1 Pre-Use User Inspection:

Perform an inspection before each use in accordance with the recommendations in Table 1 below. Remove from service any unit that fails inspection. Do not use any unit that was not properly inspected and prepared before repacking.

Table 1 - Guidelines for Rescue Device Inspection		
Inspection	Pass	Fail
Verify that the rope lifeline moves smoothly through the device. Switch the travel direction lever and ensure that the rope lifeline moves smoothly in both directions.		
Verify that when the travel direction lever is engaged, the rope lifeline does not travel on one side of the device. Confirm the locking function of the device in both directions.		
Inspect the entire unit for signs of corrosion or signs of contamination that may result from long periods of storage in poor environments.		
Inspect the entire length of the rope lifeline. Rope should not present frayed strands, cuts, abrasions, burn marks, and discoloration indicating UV damage.* Thimble eyes should be firmly in place and there should be no build-up of foreign matter such as paint, dirt, rust, concrete or cement etc. *Minor fuzziness of rope of rope is acceptable so long as the inner white core of the rope is not openly exposed		
Check for any missing or loose screws or nuts and any deformed or damaged components.		
Examine the external housing for cracks, breaks, warping, or other damage.		
Check the external Connectors and the Anchorage Carabiner for damage and deformation. The Anchorage Carabiner Gate should twist open and snap shut easily and smoothly.		
All labels must be intact and totally legible (see Section 8).		

### 7.2 Post-Use User Inspection:

After use, units must be inspected fully before returning to service by a Competent Person. Perform an inspection in accordance with the recommendations in Table 1 below. Remove from service any unit that fails inspection.

**7.3 Inspection Frequency:**

In addition to post-use inspection, inspection by a Competent Person at regular intervals is required at a minimum of annually.

Units that are sealed in a plastic bag in a barrel storage container from the manufacturer are exempted from this annual inspection requirement as inspection would require breaking the seal. Units that are sealed in a plastic bag in a barrel storage container from the manufacturer must be opened and inspected within 10 years of the original manufacture date on the barrel storage container.

**7.4 Inspection Checklist:**

Use Table 1: Guidelines for Rescue Device Inspection to inspect the rescue device.

**7.5 Inspection Results:**

If an inspection reveals defects in or damage to the equipment, inadequate maintenance or activated fall indicators, remove the equipment from service.

**7.6 Inspection Document:**

Record inspection results on the Inspection Record provided below or on a similar document.

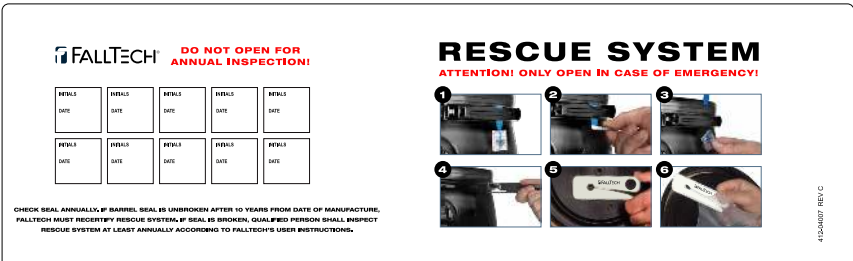
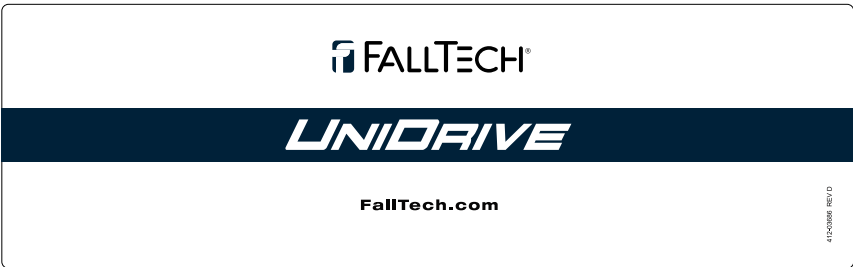


## 8.0 Labels

Product labels must be present and legible.



## 8.1 Storage Barrel Labels (if applicable)



## 9.0 Definitions

The following are general definitions of fall protection terms as defined by ANSI Z359.0-2012.

**Anchorage:** A secure connecting point or a terminating component of a fall protection system or rescue system capable of safely supporting the impact forces applied by a fall protection system or anchorage subsystem.

**Anchorage Connector:** A component or subsystem that functions as an interface between the anchorage and a fall protection, work positioning, rope access or rescue system for the purpose of coupling the system to the anchorage.

**Arrest Distance:** The total vertical distance required to arrest a fall. The arrest distance includes the deceleration distance and activation distance.

**Authorized Person:** A person assigned by the employer to perform duties at a location where the person will be exposed to a fall hazard.

**Available Clearance:** The distance from a reference point, such as the working platform, to the nearest obstruction that an authorized person might contact during a fall which, if struck, could cause injury.

**Capacity:** The maximum weight that a component, system or subsystem is designed to hold.

**Certification:** The act of attesting in writing that the criteria established by these standards or some other designated standard have been met.

**Certified Anchorage:** An anchorage for fall arrest, positioning, restraint or rescue systems that a qualified person certifies to be capable of supporting the potential fall forces that could be encountered during a fall.

**Clearance:** The distance from a specified reference point, such as the working platform or anchorage of a fall arrest system, to the lower level that a worker might encounter during a fall.

**Clearance Requirement:** The distance below an authorized person that must remain clear of obstructions in order to ensure that the authorized person does not make contact with any objects that would cause injury in the event of a fall.

**Competent Person:** An individual designated by the employer to be responsible for the immediate supervision, implementation and monitoring of the employer's managed fall protection program who, through training and knowledge, is capable of identifying, evaluating and addressing existing and potential fall hazards, and who has the employer's authority to take prompt corrective action with regard to such hazards.

**Component:** An element or integral assembly of interconnected elements intended to perform one function in the system.

**Connecting Subsystem:** An assembly, including the necessary connectors, comprised of all components, subsystems, or both, between the anchorage or anchorage connector and the harness attachment point.

**Connector:** A component or element that is used to couple parts of the system together.

**Deceleration Distance:** The vertical distance between the user's fall arrest attachment at the onset of fall arrest forces during a fall, and after the fall arrest attachment comes to a complete stop.

**Energy (Shock) Absorber:** A component whose primary function is to dissipate energy and limit deceleration forces which the system imposes on the body during fall arrest.

**Fall Arrest:** The action or event of stopping a free fall or the instant where the downward free fall has been stopped.

**Fall Hazard:** Any location where a person is exposed to a potential free fall.

**Free Fall:** The act of falling before a fall protection system begins to apply forces to arrest the fall.

**Free Fall Distance:** The vertical distance traveled during a fall, measured from the onset of a fall from a walking working surface to the point at which the fall protection system begins to arrest the fall.

**Harness, Full Body:** A body support designed to contain the torso and distribute the fall arrest forces over at least the upper thighs, pelvis, chest and shoulders.

**Horizontal Lifeline:** A component of a horizontal lifeline subsystem, consisting of a flexible line with connectors or other coupling means at both ends for securing it horizontally between two anchorages or anchorage connectors.

**Horizontal Lifeline Subsystem:** An assembly, including the necessary connectors, comprised of a horizontal lifeline component and, optionally, of: a) An energy absorbing component or, b) A lifeline tensioner component, or both. This subsystem is normally attached at each end to an anchorage or anchorage connector. The end anchorages have the same elevation.

**Lanyard:** A component consisting of a flexible rope, wire rope or strap, which typically has a connector at each end for connecting to the body support and to a fall arrester, energy absorber, anchorage connector or anchorage.

**Lanyard Connecting Subsystem:** An assembly, including the necessary connectors, comprised of a lanyard only, or a lanyard and energy absorber.

**Personal Fall Arrest System (PFAS):** An assembly of components and subsystems used to arrest a person in a free fall.

**Positioning:** The act of supporting the body with a positioning system for the purpose of working with hands free.

**Positioning Lanyard:** A lanyard used to transfer forces from a body support to an anchorage or anchorage connector in a positioning system.

**Qualified Person:** A person with a recognized degree or professional certificate and with extensive knowledge, training and experience in the fall protection and rescue field who is capable of designing, analyzing, evaluating and specifying fall protection and rescue systems.

**Self-Retracting Device (SRD):** A device that contains a drum wound line that automatically locks at the onset of a fall to arrest the user, but that pays out from and automatically retracts onto the drum during normal movement of the person to whom the line is attached.

**Snap Hook:** A connector comprised of a hook-shaped body with a normally closed gate or similar arrangement that may be opened to permit the hook to receive an object and, when released, automatically closes to retain the object.

**Swing Fall:** A pendulum-like motion that occurs during and/or after a vertical fall. A swing fall results when an authorized person begins a fall from a position that is located horizontally away from a fixed anchorage.

**APPENDIX A**

**Table 1A: Specifications for UniDrive Rescue and Descent Device**

<b>Model #</b>	<b>Lifeline Material</b>	<b>Working Length</b>	<b>Materials and Specifications</b>	<b>Capacity and Standards</b>
<b>Bag Kits</b> 681450K 6814150K 6814300K 6814400K 6814500K	7/16 in. (10.5 mm) Diameter Integral Polyamide Kernmantle Rope	50 ft (15.2 m) 150 ft (45.7 m) 300 ft (91.4 m) 400 ft (121.9 m) 500 ft (152.4 m)	Housing: Cast Aluminum Alloy  Connectors: Aluminum Alloy 5,000 lbs (22.2 kN) with 3,600 lbs (16 kN) Gate Strength	Single User Capacity: 130 to 310 lbs. (59 to 141 kg) to comply with ANSI  One or Two User Capacity: 110 to 440 lbs. (50 to 200 kg) to comply with OSHA only
<b>Barrel Kits</b> 6813150K 6813300K		0.048 lbs/ft (0.7 kg/m)  Elongation: 3.0%		

**Table 1B: UniDrive Rescue and Descent Device Performance Specifications**

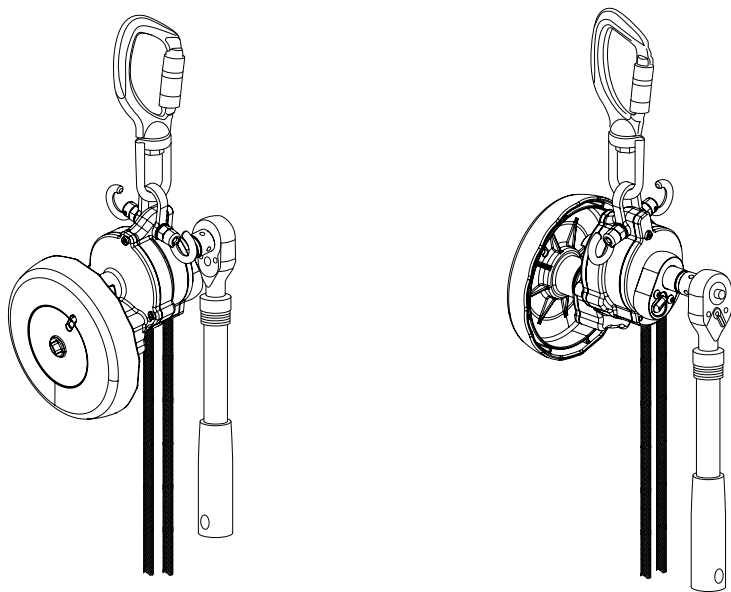
<b>Descent Control Device Specifications</b>		<b>Lifting Device Specifications</b>	
<b>Max. Descent Height:</b>	524 ft. (160 m)	<b>Max. Lifting Height:</b>	524 ft. (160 m)
<b>Max. Descent Load:</b>	440 lbs. (200 kg)	<b>Max. Lifting Load (Manual Operation):</b>	440 lbs. (200 kg)
<b>Min. Descent Load:</b>	110 lbs. (50 kg)	<b>Max. Lifting Load (Powered Operation):</b>	310 lbs. (141 kg)
<b>Max. Number of Descents x Height [220 lbs. (100 kg) max.]:</b>	48 x 524 ft. (160 m)		
<b>Max. Number of Descents x Height [440 lbs. (200 kg) max.]:</b>	5 x 524 ft. (160 m)		
<b>Max. Descent Velocity [220 lbs. (100 kg) max.]:</b>	2.6 ft/sec (0.79 m/s)		
<b>Max. Descent Velocity [440 lbs. (200 kg) max.]:</b>	6.5 ft/sec (2.0 m/s)		



Manual de instrucciones para el usuario

# UNIDRIVE

Dispositivo de rescate y descenso



Este manual tiene el propósito de cumplir con las instrucciones del fabricante según lo exige el Instituto Nacional de Normalización Estadounidense (ANSI) Z359 y debe usarse como parte de un programa de capacitación para empleados según lo exige la Administración de Seguridad y Salud Ocupacional (OSHA).

FallTech © 2024

1306 South Alameda Street Compton, CA 90221, EE. UU.

1-800-719-4619 • 1-323-752-0066

[www.falltech.com](http://www.falltech.com)

## ÍNDICE

1.0 Advertencias y otros datos importantes .....	3
2.0 Descripción.....	4
3.0 Aplicación.....	5
4.0 Requisitos del sistema .....	5
5.0 Instalación y uso .....	7
6.0 Mantenimiento, servicio y almacenamiento ....	10
7.0 Inspección.....	10
8.0 Etiquetas .....	13
9.0 Definiciones.....	14

A los efectos de este manual, el Dispositivo de Rescate y Descenso FallTech® UniDrive en todas sus versiones puede denominarse colectivamente UniDrive, el sistema UniDrive, el sistema de rescate, el sistema de descenso, el dispositivo de rescate, el dispositivo de descenso de control de descenso, el dispositivo de descenso, el equipo, el dispositivo, el producto o la unidad.

A lo largo de este manual, se utilizan palabras, frases y términos de protección contra caídas de ANSI Z359.0-2012. Todos estos términos se definen formalmente en la Sección 9 de este manual.

Cualquier traducción que no sea en inglés de este manual de instrucciones para el usuario es solo como referencia.

## 1.0 Advertencias y otros datos importantes

### **ADVERTENCIA**

- Los usuarios de este equipo deben estar debidamente capacitados para su uso.
- Evite los peligros de maquinaria, térmicos, eléctricos y/o químicos, ya que el contacto puede causar lesiones graves o la muerte.
- En ningún momento este equipo deberá estar sujeto a fuerzas de detención de caídas.
- Tenga en cuenta las restricciones relacionadas con el peso y las recomendaciones que se dan en este manual.
- Retire del servicio cualquier equipo que se vea sometido a fuerzas de detención de caídas.
- Retire del servicio cualquier equipo que no apruebe los procesos de revisión.
- No modifique o utilice intencionalmente de manera equivocada este equipo.
- Consulte con FallTech cuando pretenda utilizar este equipo en combinación con elementos o subsistemas diferentes a los descritos en este manual.
- No conecte al anillo en "D" dorsal del FBH ganchos de barras de refuerzo, mosquetones grandes o ganchos de presión grandes, ya que esto puede provocar un lanzamiento y/o desenganche involuntario.
- Evite superficies y bordes cortantes y/o abrasivos.
- Sea cuidadoso cuando realice soldadura por arco. Los destellos de arco que pueden producirse en las operaciones de soldadura por arco, incluyendo arcos eléctricos accidentales que se produzcan en el equipo de soldadura, pueden dañar éste y son potencialmente mortales.
- Revise el área de trabajo. Esté pendiente de las condiciones del entorno y de los riesgos laborales que puedan afectar la seguridad, el nivel de protección y el funcionamiento, de los sistemas y elementos integrantes de prevención de caídas.
- Los peligros pueden incluir entre otros, riesgos de tropiezo debido a cables sueltos o desperdicios regados en el piso, fallas del equipo, descuidos del personal, y desplazamiento de equipos tales como carretas, carretillas montacargas, grúas o plataformas rodantes. No permita que ningún material, herramienta o equipo en tránsito, entre en contacto con parte alguna del sistema de detención de caídas.
- No trabaje por debajo de cargas suspendidas.

### **IMPORTANTE**

Este producto es parte de un sistema de restricción personal, posicionamiento del trabajo, suspensión o rescate. Estas instrucciones deben entregarse al trabajador que utiliza este equipo. El trabajador debe leer y comprender las instrucciones del fabricante para cada componente o parte del sistema completo. Se deben seguir las instrucciones del fabricante para el uso, cuidado y mantenimiento adecuados de este producto. Estas instrucciones deben conservarse y mantenerse disponibles para referencia del trabajador en todo momento. Las modificaciones o el mal uso de este producto, o el incumplimiento de las instrucciones, pueden provocar lesiones graves o la muerte. Estas instrucciones de funcionamiento no sustituyen la formación y no eximen al usuario de su obligación de evaluar las situaciones relacionadas con la seguridad del trabajo o rescate y de tomar todas las medidas necesarias para garantizar el uso seguro del dispositivo.

Un plan de protección contra caídas y un plan de rescate deben estar archivados y disponibles para que todos los trabajadores los revisen. Es responsabilidad del trabajador y del comprador de este equipo asegurarse de que los usuarios de este equipo estén capacitados adecuadamente para su uso, mantenimiento y almacenamiento. El entrenamiento debe repetirse a intervalos regulares. La formación no debe exponer al alumno a peligros de caídas.

Consulte a un médico si hay razones para dudar de su aptitud para absorber con seguridad el impacto de un evento de caída. La edad y el estado físico afectan gravemente a la capacidad de los trabajadores para soportar caídas. Las mujeres embarazadas y los menores de edad no deben utilizar este equipo.

El estándar ANSI limita a un máximo de 310 libras, el peso de los usuarios del equipo de protección contra caídas. Los usuarios pesados tienen mayor riesgo de sufrir lesiones graves o la muerte a consecuencia de caídas, debido al aumento de las fuerzas de detención del desplome que actúan sobre el cuerpo del usuario. Además, inclusive la gravedad del trauma debido a la suspensión después de una caída, puede ser avivada en el caso de usuarios pesados.

El usuario del equipo que se describe en este manual debe leer y comprender el manual completo antes de empezar a trabajar con él.

**NOTA:** Para obtener más información, consulte los estándares ANSI Z359.

## 2.0 Descripción

El Dispositivo de Rescate y Descenso FallTech® UniDrive es un dispositivo multifuncional que puede usarse como dispositivo de rescate, dispositivo de control de descenso y/o dispositivo de posicionamiento del trabajo. El UniDrive es adecuado para aplicaciones de rescate asistido o autónomo, descenso controlado y/o aplicaciones de posicionamiento/elevación de trabajos verticales. El UniDrive está diseñado para fijación de anclaje aéreo o fijación esternal/frONTAL personal para operaciones de rescate asistido o autónomo.

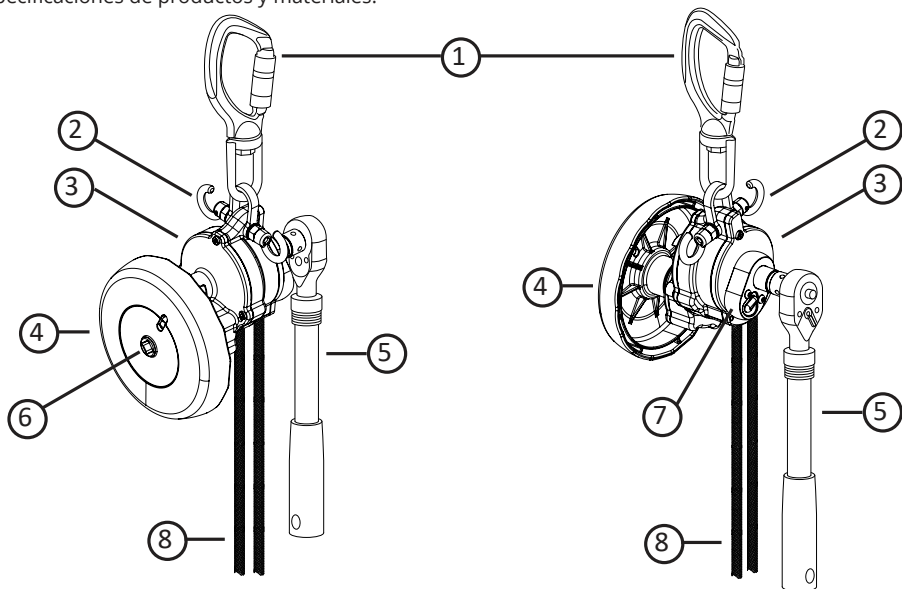
El UniDrive utiliza un mecanismo de freno de fuerza centrífuga para garantizar una velocidad de descenso constante durante el descenso o el rescate. El mecanismo de freno está separado del mecanismo de la polea de la cuerda para evitar que la humedad o los residuos de la cuerda afecten el control del descenso.

Cuando se utiliza en aplicaciones de rescate o posicionamiento del trabajo, hay tres modos de elevación: un volante operado manualmente, un mango de trinquete telescópico removible y un adaptador de broca para uso con energía. El UniDrive cuenta con un limitador de par para evitar la sobrecarga del dispositivo durante las operaciones de elevación.

Este producto no es adecuado para aplicaciones con exposición a bordes salientes donde la cuerda de salvamento de este dispositivo puede entrar en contacto con un borde durante el uso. Si dicha exposición es necesaria para la aplicación en cuestión, se debe utilizar un dispositivo de protección de bordes para garantizar que la cuerda no se dañe durante el uso. Comuníquese con FallTech para obtener más información o si tiene preguntas sobre la selección de productos.

Este manual contiene un Apéndice con figuras y tablas específicas del Dispositivo de Rescate y Descenso UniDrive que se analiza en este manual.

La Figura 1 a continuación muestra los componentes del UniDrive a los que se puede hacer referencia en este manual de instrucciones del usuario. Consulte la Tabla 1A en el Apéndice A para conocer las especificaciones de productos y materiales.



**Figura 1: acerca del Dispositivo de Rescate y Descenso FallTech® UniDrive**

<b>1</b>	Mosquetón del dispositivo	<b>5</b>	Trinquete telescópico removible
<b>2</b>	Ganchos de aseguramiento	<b>6</b>	Receptor de adaptador de taladro de 1/4"
<b>3</b>	Carcasa/cuerpo del dispositivo	<b>7</b>	Palanca de dirección de desplazamiento
<b>4</b>	Volante	<b>8</b>	Cuerda de rescate (no se muestran los mosquetones de cuerda de rescate)

## **2.1 Instituto Nacional Estadounidense de Estándares (ANSI, por sus siglas en inglés) y Administración de Salud y Seguridad Ocupacional (OSHA, por sus siglas en inglés):**

El dispositivo de rescate y descenso que se analiza en este manual cumple con el estándar ANSI Z359.4-2013 y las regulaciones 1926.502 y 1910.140 de la Administración de Salud y Seguridad Ocupacional (OSHA, por sus siglas en inglés).

ANSI exige que los sistemas de rescate se clasifiquen según el número máximo de usuarios y se califiquen mediante pruebas de resistencia estática y rendimiento dinámico. La información de clasificación que se encuentra en las etiquetas de los productos se basa en los resultados de las pruebas. La Tabla 1B proporciona especificaciones de rendimiento para el sistema de rescate analizado en este manual.

## **3.0 Aplicación**

### **3.1 Propósito:**

El Dispositivo de Rescate y Descenso FallTech® UniDrive es un sistema de rescate prediseñado para usarse como componente en un Sistema Personal de Detención de Caídas (PFAS, por sus siglas en inglés) o sistema de rescate para facilitar el rescate de uno o más trabajadores.

### **3.2 Sistema personal de detención de caídas:**

Un PFAS es un conjunto de componentes y subsistemas que se utilizan para detener a una persona durante una caída. Un PFAS generalmente consta de un anclaje, un dispositivo de desaceleración como una cuerda de salvamento con absorción de impactos (SAL, por sus siglas en inglés), un dispositivo autorretráctil (SRD, por sus siglas en inglés) o un subsistema de conexión para detención de caídas (FACSS, por sus siglas en inglés) y un arnés de cuerpo completo (FBH, por sus siglas en inglés) debidamente ajustado. La caída libre máxima permitida en un PFAS típico es de 6' (1.8 m).

### **3.3 Límites de aplicación:**

Se debe tener cuidado de comprender la capacidad del sistema, los requisitos de resistencia del anclaje, las aplicaciones aprobadas, las configuraciones del dispositivo y otros requisitos. Tome medidas para evitar bordes afilados, superficies abrasivas y riesgos térmicos, eléctricos y químicos. Este producto no es adecuado para aplicaciones con exposición de bordes salientes donde la cuerda de salvamento de este dispositivo puede entrar en contacto con un borde durante el uso. Si dicha exposición es necesaria para la aplicación en cuestión, se debe utilizar un dispositivo de protección de bordes para garantizar que la cuerda no se dañe durante el uso. Comuníquese con FallTech para obtener más información o si tiene preguntas sobre la selección de productos.

### **3.4 Aplicaciones aprobadas:**

A continuación, se detallan las aplicaciones para las cuales todos los Dispositivos de Rescate y Descenso FallTech® UniDrive son específicamente adecuados. Todas las aplicaciones requieren un arnés de cuerpo completo. Esta lista no es exhaustiva, pero pretende anticipar las aplicaciones más comunes en las que se puede utilizar este producto.

#### **3.4.1 Descenso (dispositivo de control de descenso):**

El UniDrive se puede utilizar como dispositivo de descenso o control de descenso para una o dos personas simultáneamente o para varias personas individualmente, una tras otra en operación continua. UniDrive restringirá automáticamente la velocidad de descenso según la carga del dispositivo.

#### **3.4.2 Rescate:**

El UniDrive se puede utilizar para rescate después de una caída y es adecuado para rescate autónomo o asistido. El rescate asistido se puede realizar desde una superficie fija para caminar y trabajar o el dispositivo se puede conectar al socorrista para que pueda descender hasta la víctima para rescatarlo. Asegúrese de que exista un plan, método y sistema de rescate por escrito y que esté disponible para una respuesta rápida. Los rescates pueden requerir equipos o medidas especializadas. Las operaciones de rescate están fuera del alcance de este manual. Consulte ANSI Z359.4 y Z359.2.

## 4.0 Requisitos del sistema

### 4.1 Capacidad:

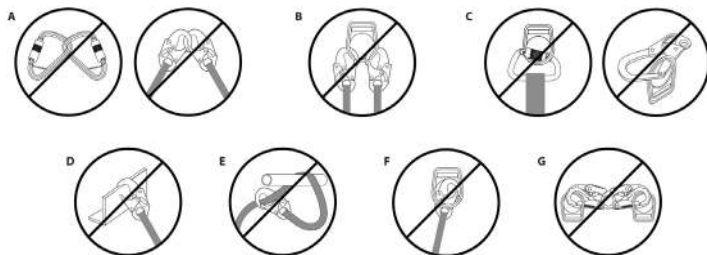
El Dispositivo de Rescate y Descenso UniDrive está diseñado para que lo utilicen:

- un usuario con un peso combinado de usuario, herramientas, ropa, etc. de 130 libras a 310 libras (59 kg a 141 kg) para cumplir con ANSI y OSHA
- uno o dos usuarios con un peso combinado de usuario(s), herramientas, ropa, etc. de 130 libras a 440 libras (59 kg a 200 kg) para cumplir con OSHA únicamente

Dependiendo de la aplicación u operación de rescate, la capacidad puede estar limitada por el número y la duración de los descensos. Consulte la Tabla 1B en el Apéndice A para conocer las especificaciones completas de capacidad y rendimiento.

### 4.2 Compatibilidad de conectores:

Se considera que los conectores son compatibles con los elementos de conexión cuando se han diseñado para trabajar juntos de tal manera que sus tamaños y formas no provoquen que sus mecanismos de compuerta se abran inadvertidamente, independientemente de cómo se orienten. Póngase en contacto con FallTech si tiene alguna pregunta sobre la compatibilidad. Los conectores deben ser compatibles con el anclaje u otros componentes del sistema. No utilice equipos que no sean compatibles. Los conectores no compatibles pueden desconectarse accidentalmente. Los conectores deben ser compatibles en tamaño, forma y resistencia. Los conectores de cierre y bloqueo automático son requeridos por ANSI y OSHA.



**Figura 3 - Conexiones no compatibles**

<b>A</b>	Nunca conecte dos componentes activos (ganchos de seguridad o mosquetones) entre sí.
<b>B</b>	Nunca conecte dos componentes activos (ganchos de seguridad o mosquetones) a un solo anillo en D al mismo tiempo.
<b>C</b>	Nunca conecte de una manera que produzca una condición de carga en la puerta.
<b>D</b>	Nunca se adhiera a un objeto de manera que se impida que la compuerta (del gancho de seguridad o el mosquetón) se cierre y bloquee completamente. Siempre protéjase contra conexiones falsas inspeccionando visualmente el cierre y la cerradura.
<b>E</b>	Nunca lo conecte explícitamente a un subcomponente constituyente (correa, cable o cuerda) a menos que las instrucciones del fabricante lo proporcionen específicamente para ambos subcomponentes (gancho de seguridad o mosquetón y correa, cable o cuerda).
<b>F</b>	Nunca lo conecte de manera que un elemento del conector (compuerta o palanca de liberación) pueda quedar atrapado en el anclaje, lo que puede generar un riesgo adicional de acoplamiento falso.
<b>G</b>	Nunca coloque un gancho de seguridad en los dos anillos en D laterales o de posición de manera que los anillos en D encajen en las compuertas; las puertas de un esparcidor siempre deben estar alejadas de los anillos en D durante el posicionamiento de trabajo.

### 4.3 Compatibilidad de componentes:

El equipo está diseñado para usarse sólo con componentes y subsistemas aprobados. Las sustituciones o reposiciones efectuadas con componentes o subsistemas no aprobados pueden poner en peligro la compatibilidad de los equipos y podrían afectar la seguridad y la confiabilidad del sistema completo.

#### 4.4 Realizar conexiones:

Utilice únicamente conectores autoblocantes con este equipo. Utilice únicamente conectores adecuados para cada aplicación. Asegúrese de que todas las conexiones sean compatibles en tamaño, forma y resistencia. No utilice equipos que no sean compatibles, consulte la Figura 3. Asegúrese visualmente de que todos los conectores estén completamente cerrados y bloqueados. Los conectores están diseñados para usarse solo como se especifica en las instrucciones del usuario de cada producto.

#### 4.5 Sistema de rescate:

Un sistema de rescate es un conjunto de componentes y subsistemas que se utilizan para rescatar a una persona después de una caída. Un sistema de detención de caídas generalmente se compone de un anclaje y un arnés de cuerpo completo (FBH, por sus siglas en inglés), con un dispositivo de conexión de absorción de energía desplegado, es decir, una cuerda de salvamento con absorción de impactos (SAL, por sus siglas en inglés), un dispositivo autorretráctil (SRD, por sus siglas en inglés) o un subsistema de conexión detenedor de caídas (FACSS, por sus siglas en inglés), conectado al anillo en D dorsal en el FBH de la víctima de caída. El socorrista también puede necesitar o no un equipo de protección contra caídas, dependiendo de la operación de rescate en cuestión y de los peligros en el área de rescate. Los componentes de rescate utilizados junto con este dispositivo de rescate deben cumplir con los requisitos ANSI Z359 y las regulaciones OSHA aplicables.

#### 4.6 Ruta segura de descenso y área de aterrizaje:

Para todas las operaciones que utilizan el Dispositivo de Rescate y Descenso UniDrive, la ruta de descenso planificada y el área de aterrizaje planificada deben estar libres de obstrucciones para permitir la ejecución y finalización segura de la operación. De lo contrario, podrían producirse lesiones graves o la muerte. Si una operación de rescate requiere que la víctima sea elevada en lugar de descender a un sitio seguro debido a una zona de aterrizaje insegura, el socorrista deberá tomar las medidas adecuadas para garantizar que la víctima no pueda descender accidentalmente a un peligro.

#### 4.7 Resistencia del anclaje de rescate:

Un anclaje seleccionado para operaciones de rescate debe tener una resistencia capaz de soportar una carga estática aplicada en la dirección permitida por el rescate de al menos:

- Cinco veces la carga máxima permitida cuando existe certificación, o
- 2200 libras (22.2 kN) en ausencia de certificación.

Seleccione cuidadosamente una ubicación de anclaje. Considere la resistencia estructural, las obstrucciones en el camino de descenso/rescate y otros peligros potenciales. Si se fija más de un dispositivo de rescate al mismo anclaje, la resistencia mínima del anclaje se multiplicará por el número de dispositivos conectados al anclaje.

### ADVERTENCIA

**No altere ni haga un mal uso intencional de este equipo. Consulte a FallTech cuando utilice este equipo en combinación con componentes o subsistemas distintos a los descritos en este manual. Todos los componentes o subsistemas utilizados con el dispositivo de rescate descrito en este manual deben cumplir con ANSI Z359 y/u OSHA.**

## 5.0 Instalación y uso

### 5.1 Instalar el dispositivo de rescate

Examine el área de trabajo para detectar posibles peligros. Tome precauciones para evitar peligros elevados, como grúas, postes, cables eléctricos aéreos y peligros en superficies para caminar/trabajar, como cables eléctricos, cables de soldadura, mangueras de aire y fluidos, incluidos peligros de obstrucción, como columnas verticales y pilas de materiales en el nivel inferior. Elimine los peligros cuando sea posible.

Asegúrese de que el anclaje proporcione el camino de descenso despejado requerido debajo de la superficie para caminar/trabajar y cumpla con los requisitos de la Sección 4. Si en algún momento durante el trabajo o la operación de rescate hay peligros de caídas, se debe usar el equipo de protección contra caídas adecuado además del equipo descrito en este manual del usuario.

Inspeccione el dispositivo según los "Requisitos de inspección previa al uso" en la Sección 7 antes de usarlo. Es posible que se requiera una inspección completa antes de su uso, si no se puede confirmar que el dispositivo fue inspeccionado completamente antes de almacenarlo.

## **5.2 Rescate/Descenso automático: dispositivo a anclaje fijo de un solo punto**

El dispositivo de rescate solo podrá ser utilizado por personas que hayan sido instruidas en su uso seguro y que tengan el conocimiento adecuado en su uso como dispositivo de control de descenso o descenso automático. Al descender, la cuerda de rescate no debe pasar sobre bordes afilados o superficies abrasivas. Proteja las cuerdas contra bordes afilados, superficies abrasivas y otros peligros que puedan dañar la cuerda durante la operación. Utilice guantes protectores.

### **5.2.1 Anclaje del dispositivo de rescate: dispositivo a anclaje fijo de un solo punto**

Retire el dispositivo del contenedor de almacenamiento. Conecte el dispositivo de rescate al anclaje fijo de un solo punto mediante el mosquetón del dispositivo. Asegúrese de que no haya nudos ni torceduras en la cuerda de rescate y que el dispositivo cuelgue derecho y libre.

### **5.2.2 Uso del dispositivo de rescate: dispositivo a anclaje fijo de un solo punto**

Conecte el mosquetón de la cuerda de rescate adyacente al dispositivo de rescate al punto de fijación apropiado en el arnés de cuerpo completo. Elimine cualquier holgura desde el dispositivo hasta el punto de fijación del arnés de cuerpo completo. En ningún momento el dispositivo de rescate estará sujeto a caída libre o detención de caídas.

Despliegue la cuerda de rescate almacenada hasta el lugar de aterrizaje de rescate previsto. Asegúrese de que no haya nudos ni torceduras en la cuerda de rescate y que el dispositivo cuelgue recto y libre. En estado descargado, cuando no hay carga suspendida en la cuerda, la palanca de dirección de desplazamiento en el cabezal de liberación en la parte posterior del dispositivo de rescate se puede desplazar operativamente y seleccionar la dirección de desplazamiento del dispositivo de rescate. Para descender, la palanca de dirección de desplazamiento debe apuntar hacia el lado largo de la cuerda de rescate desplegada hasta el lugar de aterrizaje. El cambio de dirección de la palanca de dirección de desplazamiento solo se puede realizar cuando no hay carga en el dispositivo. Si hay una carga suspendida, se debe sujetar la carga accionando el volante antes de poder cambiar la dirección de desplazamiento.

Antes de iniciar el rescate o descenso, se debe eliminar toda holgura en el lado de la cuerda conectado por el usuario para evitar la caída libre.

El sistema de rescate ahora está configurado para descenso/rescate automático de uno o dos usuarios simultáneamente. Para un descenso simultáneo de dos usuarios, ambos usuarios deben estar conectados al mosquetón de la cuerda de rescate y/o por medios alternativos aprobados. El descenso simultáneo de dos usuarios solo se utilizará cuando no sea posible el descenso mediante la operación continua. Consulte la Sección 5.2.3 para descenso/rescate de múltiples usuarios mediante la operación continua.

Si es necesario detener la carga que desciende, un operador que no esté descendiendo activamente puede utilizar el volante del dispositivo con un mínimo esfuerzo. Si el usuario que desciende activamente necesita controlar la velocidad de descenso o detenerse, entonces el extremo suelto y descargado de la cuerda de rescate puede guiarse a través del cáncamo abierto y estirarse hacia abajo, lo que también se conoce como asegurar la cuerda. En esta posición, el operador puede sujetar el peso con una mano con el mínimo esfuerzo. Guiando lentamente el extremo libre de la cuerda de rescate, el operador ahora puede controlar la velocidad del descenso y detenerlo en cualquier momento. Tenga en cuenta que este tipo de rescate depende de la longitud adecuada de la cuerda para controlar toda la longitud del descenso. No intente asegurar la cuerda, a menos que esté específicamente capacitado.

### **5.2.3 Uso del dispositivo de rescate, operación continua: dispositivo a anclaje fijo de un solo punto**

Para rescates de múltiples víctimas, cada víctima debe tener un arnés de cuerpo completo. El rescate se realizará una persona a la vez hasta que se complete la operación de rescate.

El Dispositivo de Rescate FallTech UniDrive puede funcionar en ambas direcciones, lo que facilita el rescate rápido de múltiples víctimas mediante la operación continua. Siga los pasos de la Sección 5.2.2 para el rescate del primer usuario/usuario inicial. No amarre la cuerda para el uso de la operación continua.

Una vez que el primer usuario haya descendido, deberá desconectarse del mosquetón de la cuerda de rescate.

El segundo usuario ahora se puede enganchar al mosquetón de la cuerda de rescate opuesto. Elimine cualquier holgura desde el dispositivo hasta el punto de fijación del arnés de cuerpo completo. En

ningún momento el dispositivo de rescate deberá estar sujeto a caída libre o detención de caídas.

Cambie la palanca de dirección de desplazamiento para que ahora el segundo usuario pueda descender.

Este proceso se puede repetir hasta que todas las personas sean descendidas/rescatadas. Dependiendo de la aplicación u operación de rescate, la capacidad puede estar limitada por el número y la duración de los descensos. Consulte la Tabla 1B en el Apéndice A para conocer las especificaciones completas de capacidad y rendimiento.

### **5.3 Rescate/Descenso: dispositivo conectado al socorrista/usuario**

El dispositivo de rescate solo deberá ser utilizado por personas que hayan sido instruidas en su uso seguro y que tengan el conocimiento adecuado en su uso como dispositivo de rescate propio o asistido. Al levantar o descender, la cuerda de rescate no deberá pasar sobre bordes afilados o superficies abrasivas. Proteja las cuerdas contra bordes afilados, superficies abrasivas y otros peligros que puedan dañar la cuerda durante la operación. Utilice guantes protectores.

#### **5.3.1 Anclaje del dispositivo de rescate: dispositivo conectado al socorrista/usuario**

Retire el dispositivo del contenedor de almacenamiento. Conecte el dispositivo de rescate al punto de fijación externa o frontal del arnés de cuerpo completo mediante el mosquetón del dispositivo. Asegúrese de que no haya nudos ni torceduras en la cuerda de rescate y que el dispositivo cuelgue derecho y libre. Conecte el mosquetón de la cuerda de rescate adyacente al dispositivo de rescate al punto de anclaje. Elimine cualquier holgura desde el dispositivo hasta el punto de fijación del arnés de cuerpo completo. En ningún momento el dispositivo de rescate deberá estar sujeto a caída libre o detención de caídas.

#### **5.3.2 Uso del dispositivo de rescate: dispositivo conectado al socorrista/usuario**

Despliegue la cuerda de rescate almacenada hasta el lugar de aterrizaje de rescate previsto. Asegúrese de que no haya nudos ni torceduras en la cuerda de rescate y que el dispositivo cuelgue recto y libre. En estado descargado, cuando no hay carga suspendida en la cuerda, la palanca de dirección de desplazamiento en el cabezal de liberación en la parte posterior del dispositivo de rescate se puede desplazar operativamente y seleccionar la dirección de desplazamiento del dispositivo de rescate. Para descender, la palanca de dirección de desplazamiento debe apuntar hacia el lado largo de la cuerda de rescate desplegada hasta el lugar de aterrizaje. El cambio de dirección de la palanca de dirección de desplazamiento solo se puede realizar cuando no hay carga en el dispositivo. Si hay una carga suspendida, se debe sujetar la carga accionando el volante antes de poder cambiar la dirección de desplazamiento.

Antes de iniciar el rescate o descenso, se debe eliminar toda holgura en el lado de la cuerda conectado por el usuario para evitar la caída libre.

El sistema de rescate ahora está configurado para descenso/rescate automático de uno o dos usuarios simultáneamente. Para un descenso simultáneo de dos usuarios, ambos usuarios deben estar conectados al mosquetón de la cuerda de rescate y/o por medios alternativos aprobados.

Si es necesario detener la carga que desciende, el usuario puede utilizar el volante del dispositivo con un mínimo esfuerzo/presión. El usuario ahora puede controlar la velocidad del descenso y detenerlo en cualquier momento. No intente asegurar la cuerda, a menos que esté específicamente capacitado.

En caso de rescate asistido, puede ser necesario que el socorrista levante a la víctima para desactivar un sistema personal de detención de caídas. Consulte la Sección 5.4 para conocer los procedimientos de elevación.

### **5.4 Rescate/Descenso: elevación**

El dispositivo de rescate solo será utilizado por personas que hayan sido instruidas en su uso seguro y que tengan el conocimiento adecuado en su uso como dispositivo de rescate propio o asistido. Al elevar o descender, la cuerda de rescate no deberá pasar sobre bordes afilados o superficies abrasivas. Proteja las cuerdas contra bordes afilados, superficies abrasivas y otros peligros que puedan dañar la cuerda durante la operación. Utilice guantes protectores.

Como parte de las operaciones de rescate planificadas, puede ser necesario elevar a la víctima al nivel operativo del dispositivo de rescate o elevarla lo suficiente como para eliminar la tensión en un sistema personal de detención de caídas activado. Cuando la carga está parada o no hay carga en el sistema, la palanca de dirección de desplazamiento se puede cambiar mientras la carga está sujeta por

el volante.

Para poder elevar, la palanca de dirección de desplazamiento en el dispositivo de rescate debe estar accionada de manera que la carga quede retenida y no pueda descender. En esta configuración, el desplazamiento hacia arriba puede comenzar desde uno de tres métodos de entrada: un volante operado manualmente, un mango de trinquete telescópico removible o un adaptador de broca para uso con energía. El UniDrive cuenta con un limitador de par para evitar la sobrecarga del dispositivo durante las operaciones de elevación.

Después de la elevación, se puede restablecer la capacidad de descenso mediante la palanca de dirección de desplazamiento y la carga sujeta por el volante.

Para levantar con un destornillador inalámbrico, FallTech recomienda un nivel de potencia mínimo de 18 V/4.0 aH. No utilice un destornillador de impacto con el UniDrive, ya que contiene mecanismos de limitación de torque y reducción de engranajes para apoyar el levantamiento suave.

Dependiendo de la aplicación u operación de rescate, la capacidad puede estar limitada por el número y la duración de los descensos. Consulte la Tabla 1B en el Apéndice A para conocer las especificaciones completas de capacidad y rendimiento.

### **5.5 Después del uso:**

El Dispositivo de Rescate FallTech UniDrive deberá retirarse del servicio una vez utilizado. Para volver al servicio, una persona competente deberá inspeccionar completamente el dispositivo, según los requisitos de la Sección 7.0, después de cualquier uso o extracción del producto del contenedor de almacenamiento. Para garantizar un rescate rápido para uso futuro, es fundamental inspeccionar y preparar completamente el UniDrive para uso futuro antes de volver a empaquetarlo.

Las unidades que se utilizan para operaciones de rescate deberán tener su uso documentado y registrado para el servicio regular según el uso. Consulte la Tabla 1B en el Apéndice A para conocer los límites de uso del dispositivo de rescate.

## **6.0 Mantenimiento, servicio y almacenamiento**

### **6.1 Mantenimiento:**

Asegúrese de que el dispositivo de rescate se mantenga libre de exceso de pintura, grasa, suciedad u otros contaminantes, ya que esto puede provocar un mal funcionamiento del mecanismo. Asegúrese de que no entren residuos en la carcasa a través del puerto de acceso de cuerda. Limpie el exterior de la unidad según sea necesario con una solución de detergente y agua. Evite que entre agua y otros elementos que provoquen corrosión en la carcasa. Después de la limpieza, deje que la unidad se seque al aire. Limpie las etiquetas según sea necesario.

- NO utilice el calor para secar.
- NO intente desarmar el dispositivo de rescate, a menos que lo autorice por escrito el fabricante.

### **6.2 Servicio:**

Si se requiere servicio por algún motivo, falla de inspección, límites de uso, cualquier tipo de mal funcionamiento, etiquete la unidad como "INUTILIZABLE", guárdela por separado y comuníquese con FallTech al 323-752-0066 para recibir un número de Autorización de Devolución. El dispositivo de rescate no es reparable por el usuario. Solo el fabricante, o alguien autorizado por escrito, puede realizar reparaciones en el dispositivo de rescate.

### **6.3 Almacenamiento:**

El dispositivo de rescate se almacenará en un contenedor apropiado para protegerlo en un ambiente fresco, seco y limpio, alejado de la luz solar directa. Evite ambientes cáusticos, químicos u otros ambientes peligrosos. Es posible que sean necesarios medios de almacenamiento adicionales distintos a los proporcionados por FallTech, dependiendo del entorno de almacenamiento.

## **7.0 Inspección**

### **7.1 Inspección del usuario antes del uso:**

Realice una inspección antes de cada uso, de acuerdo con las recomendaciones de la Tabla 1 a continuación. Retire del servicio cualquier unidad que no pase la inspección. No utilice ninguna unidad que no haya sido inspeccionada y preparada adecuadamente antes de volver a empaquetarla.

**Tabla 1: directrices para la inspección del dispositivo de rescate**

Inspección	Pasa	Falla
Verifique que la cuerda de salvamento se mueva suavemente a través del dispositivo. Cambie la palanca de dirección de desplazamiento y asegúrese de que la cuerda de salvamento se mueva suavemente en ambas direcciones.		
Verifique que, cuando la palanca de dirección de desplazamiento esté activada, la cuerda de salvamento no se desplace por un lado del dispositivo. Confirme la función de bloqueo del dispositivo en ambas direcciones.		
Inspeccione toda la unidad en busca de signos de corrosión o signos de contaminación que puedan resultar de largos períodos de almacenamiento en ambientes deficientes.		
Inspeccione toda la longitud de la cuerda de salvamento. La cuerda no debe presentar hilos deshilachados, cortes, abrasiones, marcas de quemaduras ni decoloración que indique daño por rayos UV.* Los ojales del guardacabo deben estar firmemente en su lugar y no debe haber acumulación de materias extrañas como pintura, suciedad, óxido, concreto o cemento. etc. *Se acepta una ligera borrosidad en la cuerda siempre y cuando el núcleo blanco interno de la cuerda no esté expuesto abiertamente.		
Verifique si hay tornillos o tuercas faltantes o sueltos y cualquier componente deformado o dañado.		
Examine la carcasa externa en busca de grietas, roturas, deformaciones u otros daños.		
Verifique los conectores externos y el mosquetón de anclaje en busca de daños y deformaciones. La compuerta del mosquetón de anclaje debe girarse para abrirse y cerrarse con <u>facilidad y suavidad</u> .		
Todas las etiquetas deben estar intactas y totalmente legibles (ver Sección 8).		

**7.2 Inspección del usuario posterior al uso:**

Después de su uso, una persona competente debe inspeccionar completamente las unidades antes de volver a ponerlas en servicio. Realice una inspección de acuerdo con las recomendaciones de la Tabla 1 a continuación. Retire del servicio cualquier unidad que no pase la inspección.

**7.3 Frecuencia de inspección:**

Además de la inspección posterior al uso, se requiere una inspección realizada por una persona competente a intervalos regulares, como mínimo una vez al año.

Las unidades que están selladas en una bolsa de plástico en un contenedor de almacenamiento tipo barril del fabricante están exentas de este requisito de inspección anual, ya que la inspección requeriría romper el sello. Las unidades que están selladas en una bolsa de plástico en un contenedor de almacenamiento tipo barril del fabricante deben abrirse e inspeccionarse dentro de los 10 años posteriores a la fecha de fabricación original en el contenedor de almacenamiento tipo barril.

**7.4 Lista de verificación de inspección:**

Utilice la Tabla 1: directrices para la inspección del dispositivo de rescate a fin de inspeccionar el dispositivo de rescate.

**7.5 Resultados de la inspección:**

Si una inspección revela defectos o daños en el equipo, mantenimiento inadecuado o indicadores de caída activados, retire el equipo del servicio.

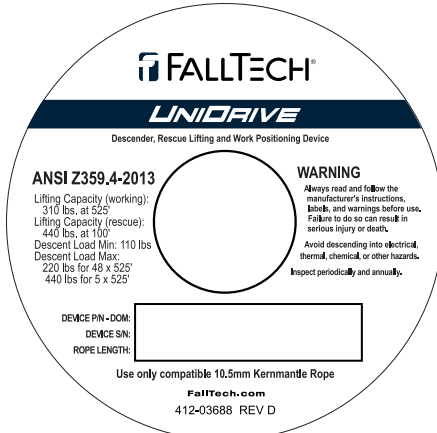
**7.6 Documento de inspección:**

Registre los resultados de la inspección en el Registro de inspección que se proporciona a continuación o en un documento similar.

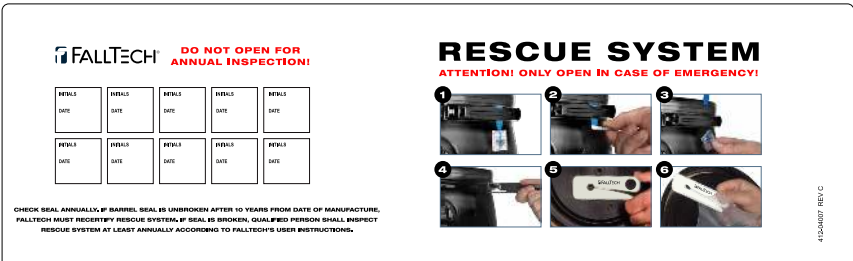
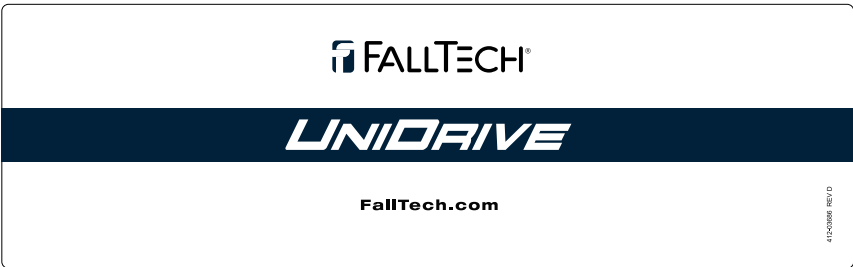
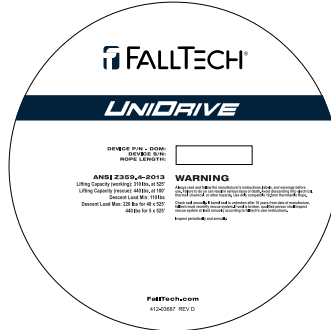


## 8.0 Etiquetas

Las etiquetas de los productos deben estar presentes y ser legibles.



## 8.1 Etiquetas del barril de almacenamiento (si corresponde)



## 9.0 Definiciones

Las siguientes son las definiciones generales de los términos que se utilizan en protección contra caídas según lo determina la norma ANSI Z359.0-2012.

**Anclaje:** Punto de conexión seguro o extremo de un elemento integrante de un sistema de protección contra caídas o sistema de rescate, capaz de asimilar de forma segura las fuerzas de impacto que genera un sistema de protección contra caídas o subsistema de anclaje.

**Conector de anclaje:** Componente o subsistema que actúa conectando el anclaje y un sistema de protección contra caídas, un posicionamiento del trabajo, acceso de cuerda o sistema de rescate, con el fin de acoplar el sistema al dispositivo de anclaje.

**Distancia de detención:** Indica la distancia vertical total requerida para detener una caída. La distancia de detención incluye la distancia de desaceleración y la distancia de activación.

**Persona autorizada:** Persona designada por el empleador para realizar tareas en un lugar donde se verá expuesta a un peligro de caída.

**Distancia despejada disponible:** Distancia desde un punto de referencia, como la plataforma de trabajo, hasta el obstáculo más cercano con el que una persona autorizada podría encontrarse durante una caída, que en caso de golpear podría causar lesiones.

**Capacidad:** Peso máximo que un componente, sistema o subsistema, está diseñado para resistir.

**Certificación:** Acto que acredita por escrito, que los criterios que determinan esta normativa o cualquier otro estándar relacionado se han tomado en cuenta.

**Anclaje certificado:** Anclaje para todos los sistemas de detención de caídas, posicionamiento, restricción o rescate, que una persona competente acredita como capaz de resistir las fuerzas que se pueden generar durante una caída.

**Distancia despejada:** Distancia desde un determinado punto de referencia como por ejemplo, la plataforma de trabajo o el anclaje de un sistema de detención de caída, hasta el plano más bajo que un trabajador pueda encontrar durante una caída.

**Requisito de distancia despejada:** Distancia por debajo de una persona autorizada que debe permanecer libre de obstrucciones, para garantizar que dicha persona no entre en contacto con ningún objeto que pudiera causar lesiones en caso de una caída.

**Persona competente:** Persona designada por el empleador, que se hace responsable de la supervisión, la aplicación y el monitoreo continuo, del programa implementado por el empleador para protección contra caídas y quien mediante una capacitación y aprendizaje adecuados, es capaz de identificar, evaluar y solucionar, los riesgos de caída actuales y posibles y quien tiene la autoridad recibida del empleador para tomar con prontitud medidas correctivas respecto a tales peligros.

**Componente:** Parte o conjunto integral de elementos interconectados diseñados para realizar una función en el sistema.

**Subsistema de conexión:** Montaje que incluye los conectores necesarios — todos los elementos componentes y subsistemas o ambos—, entre el sistema de anclaje o conector de anclaje y el punto de sujeción del arnés.

**Conector:** Componente o elemento que se utiliza para unir las piezas del sistema.

**Distancia de desaceleración:** Distancia vertical entre el dispositivo de detención de caída del usuario al momento del accionamiento de las fuerzas de detención de una caída, durante ella y después de que el accesorio de detención se detiene completamente.

**Amortiguador de energía:** Componente cuya función principal es disipar energía y restringir las fuerzas de desaceleración, a las que el sistema somete el cuerpo durante la detención de una caída.

**Detención de caídas:** Acción o circunstancia de detención de una caída libre o instantánea en que una caída libre ha sido detenida.

**Peligro de caída:**Cualquier lugar en el que una persona está expuesta a la posibilidad de ocurrencia de caída libre.

**Caída libre:**Acto de caer antes de que un sistema de protección contra caídas comience a generar resistencia para detener el movimiento.

**Distancia de caída libre:**Distancia vertical que se recorre durante una caída, medida a partir del comienzo de ésta desde una plataforma de trabajo pedestre, hasta el punto en el que el sistema de protección contra caídas comienza a detener la caída.

**Arnés de cuerpo completo:**Soporte corporal diseñado para abrigar el torso y distribuir las fuerzas de detención de caída, por lo menos en la parte superior de los muslos, la pelvis, el pecho y los hombros.

**Cuerda de salvamento horizontal:**Componente de un subsistema de cuerda de salvamento horizontal, que consiste en una línea flexible con conectores u otros medios de acople en ambos extremos para asegurarlo horizontalmente entre dos anclajes o conectores de anclaje.

**Subsistema de cuerda de salvamento horizontal:**Un ensamblaje que incluye los conectores necesarios y está integrado por una cuerda de salvamento horizontal y de manera opcional por lo siguientes elementos: a) Un componente que absorbe la energía o, b) Un tensor de cuerda de salvamento, o ambos. Los anclajes en los extremos deben estar a la misma altura.

**Cuerda:**Componente integrado por una cuerda y una cuerda de alambre o correa, que tiene generalmente un conector en cada extremo para conectarse con el soporte corporal y con un detenedor de caídas, un atenuador de energía, un conector de anclaje o un anclaje.

**Subsistema de conexión con cuerda:**Ensamblaje que incluye los conectores necesarios y está integrado únicamente por una cuerda o una cuerda junto con el atenuador de energía.

**Sistema personal de detención de caídas (PFAS, por su siglas en inglés):**Conjunto de componentes y subsistemas utilizados para detener una persona en caída libre.

**Posicionamiento:**Acto de sostener el cuerpo con un sistema de posicionamiento que permite tener las manos libres durante el trabajo.

**Cordón de posicionamiento:**Una cuerda que se utiliza para transferir las fuerzas desde un soporte corporal, hasta un anclaje o conector de anclaje en un sistema de posicionamiento.

**Personal calificada:**Persona con un título reconocido o certificado profesional y con amplios conocimientos, capacitación y experiencia en el campo de la protección y rescate de caídas, que es capaz de diseñar, analizar, evaluar y especificar, los sistemas de protección contra caídas y rescate.

**Dispositivo autorretráctil (SRD, por sus siglas en inglés):**Dispositivo que incluye un tambor con una cuerda enrollada que se bloquea automáticamente al inicio de una caída para detener al usuario, pero que se alarga y retrae automáticamente sobre el tambor durante el movimiento normal de la persona a la que está unida la línea.

**Gancho:** Conector integrado por un soporte en forma de gancho que lleva una compuerta generalmente cerrada, o un arreglo parecido, que se puede abrir para permitir que el gancho reciba un objeto y que cuando se suelta, se cierra automáticamente para retener el objeto.

**Caída con balanceo:**Movimiento en forma de péndulo que sucede durante y/o después de iniciada una caída vertical. Una caída con balanceo se presenta cuando una persona autorizada comienza una caída, a partir de una posición que se encuentra horizontalmente lejos de un anclaje empotrado.

## Apéndice A

**Tabla 1A: especificaciones para el Dispositivo de Rescate y Descenso UniDrive**

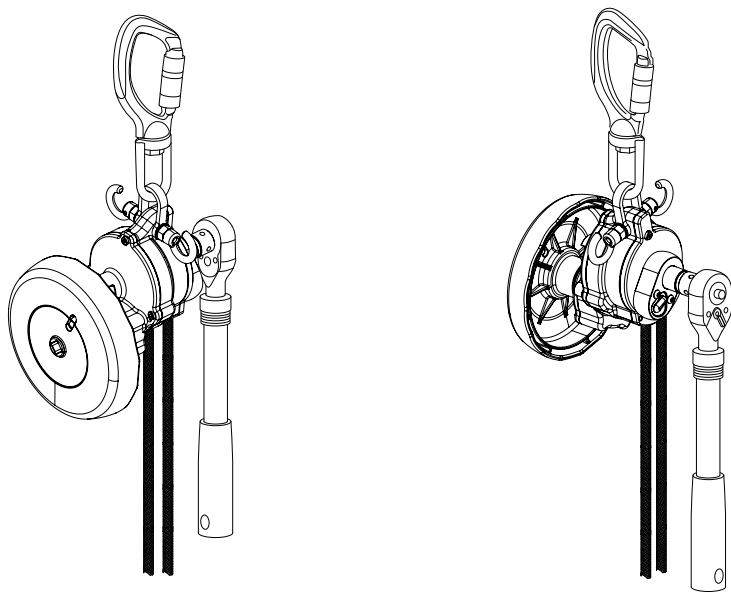
Modelo #	Material de cuerda de salvamento	Longitud de trabajo	Materiales y especificaciones	Capacidad y estándares
<b>Kits de bolsas</b>  681450K 6814150K 6814300K 6814400K 6814500K	Cuerda Kernmantle de poliamida integral de 7/16 pulgadas (10,5 mm) de diámetro	50 pies (15,2 m) 150 pies (45,7 m) 300 pies (91,4 m) 400 pies (121,9 m) 500 pies (152,4 m)	Carcasa: aleación de aluminio fundido  Conectores: aleación de aluminio de 5000 libras (22,2 kN) con resistencia de compuerta de 3600 libras (16 kN)  Temperatura mínima de servicio: -40°F (-40°C)  Temperatura máxima de servicio: 140°F (60°C)  Ecuación de trabajo: Clase A, Estándar Europeo (EN, por sus siglas en inglés): $W = 1.02 \times 107 \text{ libra-fuerza} (7,5 \times 106 \text{ J})$ Class B, EN: $W = 1.02 \times 107 \text{ libra-fuerza} (7,5 \times 106 \text{ J})$	Capacidad para un solo usuario: 130 libras a 310 libras (59 kg a 141 kg) para cumplir con ANSI  Capacidad para uno o dos usuarios: 110 libras a 440 libras (59 kg a 200 kg) para cumplir con OSHA únicamente  ANSI Z359,4-2013  EN 1891:1998 Clase B, EN 1496:2006 EN 341:2011/1A (100 kg) EN 341:2011/1B (200 kg)  OSHA 1926.502 OSHA 1910.140
<b>Kits de bar-riles</b>  6813150K 6813300K		0,048 libras/pie (0,7 kg/m)  Alargamiento: 3,0%		

**Tabla 1B: especificaciones de rendimiento del Dispositivo de Rescate y Descenso UniDrive**

Especificaciones del dispositivo de control de descenso		Especificaciones del dispositivo de elevación	
<b>Altura máxima de descenso:</b>	524 pies (160 m)	<b>Altura máxima de elevación:</b>	524 pies (160 m)
<b>Carga máxima de descenso:</b>	440 libras (200 kg)	<b>Carga máxima de elevación (operación manual):</b>	440 libras (200 kg)
<b>Carga mínima de descenso:</b>	110 libras (50 kg)	<b>Carga máxima de elevación (operación motorizada):</b>	310 libras (141 kg)
<b>Número máximo de descensos x altura [220 libras (100 kg) máx.]:</b>	48 x 524 pies (160 m)		
<b>Número máximo de descensos x altura [440 libras (200 kg) máx.]:</b>	5 x 524 pies (160 m)		
<b>Velocidad máxima de descenso [220 libras (100 kg) máx.]:</b>	2,6 pies/seg (0,79 m/s)		
<b>Velocidad máxima de descenso [440 libras (200 kg) máx.]:</b>	6,5 pies/seg (2,0 m/s)		

## UNIDRIVE

### Dispositif de sauvetage et de descente



Ce manuel est conçu en conformité avec les consignes du fabricant, tel que requis par l'American National Standards Institute (ANSI) Z359 et doit être utilisé comme partie intégrante du programme de formation des employés, tel que requis par l'Occupational Safety and Health Administration (OSHA)

**FallTech © 2024**

1306 rue South Alameda, Compton, CA 90221, É-U

1-800-719-4619 • 1-323-752-0066

[www.FallTech.com](http://www.FallTech.com)

## Table des matières

Avertissements et informations importantes .....	3
2.0 Description .....	4
3.0 Application .....	5
4.0 Exigences du système.....	5
5.0 Installation et utilisation.....	7
6.0 Entretien, réparation et entreposage.....	10
7.0 Vérification .....	10
8.0 Étiquettes.....	13
9.0 Définitions .....	14

Pour les besoins de ce manuel, le dispositif de sauvetage et de descente UniDrive de FallTech® dans toutes ses versions peut être désigné collectivement sous les termes de UniDrive, système UniDrive, système de sauvetage, système de descente, dispositif de sauvetage, dispositif de contrôle de descente, dispositif de descente, équipement, dispositif, produit, ou unité.

Tout au long de ce manuel, les termes, expressions et mots liés à la protection contre les chutes selon la norme ANSI Z359.0-2012 sont utilisés. Ces termes sont tous formellement définis dans la Section 9 de ce manuel.

Toute traduction de ce manuel d'instructions pour l'utilisateur qui n'est pas en anglais est fournie à titre de référence seulement.

## 1.0 Avertissements et informations importantes



### AVERTISSEMENT

- Les utilisateurs de cet équipement doivent être correctement formés à son utilisation.
- Évitez de déplacer des machines et de les exposer à des risques thermiques, électriques ou chimiques, car tout contact avec le produit peut entraîner des blessures graves, voire la mort.
- À aucun moment cet équipement ne doit être soumis à des forces d'arrêt de chute.
- Respectez les restrictions de poids et les recommandations de ce manuel.
- Mettez hors service tout équipement soumis à des forces antichute.
- Mettez hors service tout équipement qui échoue à l'inspection.
- N'altérez pas l'équipement intentionnellement et utilisez-le correctement.
- Consultez FallTech lorsque vous utilisez cet équipement en combinaison avec des composants ou sous-systèmes autres que ceux décrits dans ce manuel.
- Ne pas connecter d'émerillon ou de gros mousqueton aux anneaux dorsaux en D du harnais corporel complet, car cela pourrait provoquer une condition de décrochage ou un désengagement involontaire.
- Évitez les surfaces et les bords tranchants ou abrasifs.
- Soyez prudent lorsque vous effectuez des soudures à l'arc. Les étincelles causées par les opérations de soudage à l'arc, y compris les arcs électriques accidentels, peuvent endommager l'équipement et sont potentiellement mortelles.
- Examinez la zone de travail. Soyez conscient de l'environnement et des dangers qui peuvent avoir un impact sur la sécurité, la sûreté et le fonctionnement des dispositifs et des composants des systèmes de blocage de chute.
- Les dangers peuvent inclure, sans s'y limiter, les risques de chute de câbles ou de débris, les panes d'équipement, les erreurs d'effectifs, le déplacement d'équipement comme les chariots, les brouettes, les chariots élévateurs à fourche, les grues ou les charrettes à billes. Ne pas laisser le matériel, les outils ou l'équipement en transit entrer en contact avec une partie quelconque du système de blocage de chute.
- Ne pas travailler sous des charges suspendues.



### IMPORTANT

Ce produit fait partie d'un système de retenue personnel, de positionnement au travail, de suspension ou de sauvetage. Ces instructions doivent être fournies au travailleur utilisant cet équipement. Le travailleur doit lire et comprendre les instructions du fabricant pour chaque composant ou partie du système complet. Les instructions du fabricant doivent être suivies pour une utilisation, un entretien et des soins appropriés de ce produit. Ces instructions doivent être conservées et tenues à la disposition du travailleur en tout temps. Les altérations ou l'utilisation inappropriée de ce produit, ou le non-respect des instructions, peuvent entraîner des blessures graves ou la mort. Ces instructions d'utilisation ne remplacent pas la formation et ne dégagent pas l'utilisateur de son obligation d'évaluer les situations liées à la sécurité du travail ou du sauvetage et de prendre toutes les mesures nécessaires pour garantir l'utilisation sûre de l'appareil.

Un plan de protection contre les chutes et un plan de sauvetage doivent être archivés et disponibles pour examen par tous les travailleurs. Il incombe au travailleur et à l'acheteur de cet équipement de s'assurer que les utilisateurs de cet équipement sont correctement formés à son utilisation, à son entretien et à son entreposage. La formation doit être répétée à intervalles réguliers. La formation ne doit pas exposer le stagiaire à des risques de chute.

Consultez un médecin si vous doutez de votre aptitude à absorber le choc d'une chute en toute sécurité. L'âge et la condition physique affectent inévitablement la capacité d'un travailleur à résister aux chutes. Les femmes enceintes ou les mineurs ne doivent pas utiliser cet équipement.

Le poids limite de l'équipement de protection antichute établi par l'ANSI est d'un maximum de 310 lb. Il est possible que certains produits présentés dans ce manuel aient une capacité évaluée qui dépasse les limites établies par l'ANSI. Les personnes plus lourdes sont exposées à des risques plus élevés de blessures graves ou de mort en raison de l'impact plus important des forces antichute sur le corps de l'utilisateur. De plus, l'apparition d'un choc de suspension ou d'un traumatisme physique après une chute se fait plus rapidement chez les personnes lourdes.

L'utilisateur de l'équipement dont il est question dans ce manuel doit lire et comprendre l'intégralité du manuel avant de commencer son travail.

**NOTE:** Pour plus d'informations, consultez le corpus de normes ANSI Z359.

## 2.0 Description

Le dispositif de sauvetage et de descente UniDrive de FallTech® est un dispositif multifonctionnel qui peut être utilisé comme dispositif de sauvetage, dispositif de contrôle de descente et/ou dispositif de positionnement au travail. Le UniDrive est adapté pour un sauvetage autonome ou assisté, une descente contrôlée et/ou des applications de levage/positionnement vertical au travail. Le UniDrive est conçu pour une fixation en suspension au-dessus de la tête ou une fixation personnelle sterno/frontale pour les opérations de sauvetage autonome ou assisté.

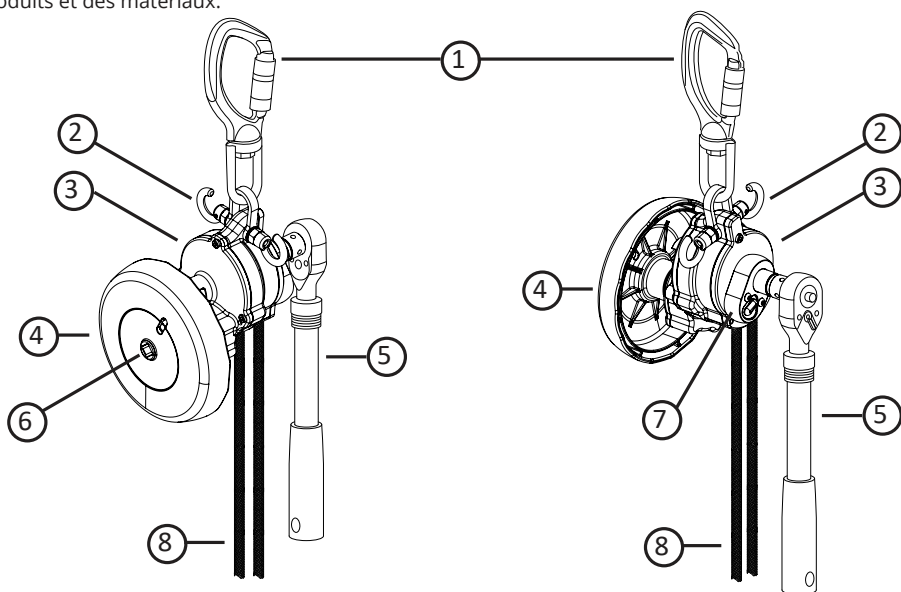
Le UniDrive utilise un mécanisme de freinage à force centrifuge pour garantir une vitesse de descente constante pendant la descente ou le sauvetage. Le mécanisme de freinage est séparé du mécanisme de poulie de corde pour éviter que l'humidité ou les débris de la corde n'affectent le contrôle de la descente.

Lorsqu'il est utilisé dans des applications de sauvetage ou de positionnement au travail, il existe trois modes de levage : une manivelle actionnée manuellement, une poignée à cliquet télescopique amovible et un adaptateur pour embout de perceuse pour une utilisation électrique. Le UniDrive est équipé d'un limiteur de couple pour éviter la surcharge du dispositif lors des opérations de levage.

Ce produit n'est pas adapté aux applications exposées à des arêtes vives où la corde de sécurité de cet appareil peut entrer en contact avec une arête pendant l'utilisation. Si une telle exposition est nécessaire pour l'application en question, un dispositif de protection des arêtes doit être utilisé pour garantir que la corde n'est pas endommagée pendant l'utilisation. Communiquez avec FallTech pour plus d'informations ou pour des questions sur la sélection du produit.

Ce manuel contient une annexe qui contient des figures et des tableaux spécifiques au dispositif de sauvetage et de descente UniDrive discuté dans ce manuel.

La figure 1 ci-dessous montre les composants de l'UniDrive qui peuvent être mentionnés dans ce manuel d'instructions. Veuillez consulter le Tableau 1A dans l'annexe A pour les spécifications des produits et des matériaux.



**Figure 1 - À propos du dispositif de secours et de descente UniDrive de FallTech®**

<b>1</b>	Mousqueton du dispositif	<b>5</b>	Clé à cliquet télescopique amovible
<b>2</b>	Crochets de sécurité	<b>6</b>	Receveur d'adaptateur de perceuse à mandrin de 0,6 cm (1/4 po)
<b>3</b>	Corps/Boîtier du dispositif	<b>7</b>	Levier de direction de déplacement
<b>4</b>	Roue à main	<b>8</b>	Corde de sauvetage (mousquetons de corde de sauvetage non inclus)

## **2.1 L'American National Standards Institute - ANSI (Institut national américain de normalisation) et Occupational Safety and Health Administration - OSHA (Administration de la santé et de la sécurité au travail) :**

Le dispositif de sauvetage et de descente discuté dans ce manuel est conforme à la norme Z359.4-2013 de l'ANSI et aux réglementations 1926.502 et 1910.140 de l'Occupational Safety and Health Administration (OSHA).

L'ANSI exige que les systèmes de sauvetage soient classés en fonction du nombre maximal d'utilisateurs et qu'ils soient qualifiés par des tests de résistance statique et de performance dynamique. Les informations de classification figurant sur les étiquettes des produits sont basées sur les résultats des tests. Le Tableau 1B fournit les spécifications de performance pour le système de sauvetage discuté dans ce manuel.

## **3.0 Application**

### **3.1 Objectif :**

Le dispositif de sauvetage et de descente UniDrive de FallTech® est un système de sauvetage pré-conçu créé pour être utilisé comme composant d'un système antichute personnel (SAP) ou d'un système de sauvetage pour faciliter le sauvetage d'un ou plusieurs travailleurs.

### **3.2 Système antichute personnel (PFAS) :**

Un SAP est un ensemble de composants et de sous-systèmes utilisés pour arrêter une personne lors d'une chute. Un SAP se compose généralement d'un point d'ancrage, d'un dispositif de décélération tel qu'une longe absorbant les chocs, un dispositif d'arrêt de chute auto-rétractable ou un sous-système de connexion d'arrêt de chute, et d'un harnais de sécurité intégral correctement ajusté. La chute libre maximale autorisée dans un SAP typique est de 1,8m (6 pi).

### **3.3 Limites d'application :**

Il est important de comprendre la capacité du système, les exigences de résistance de l'ancrage, les applications approuvées, les configurations des dispositifs, et autres exigences. Prenez des mesures pour éviter les bords tranchants, les surfaces abrasives, ainsi que les dangers thermiques, électriques et chimiques. Ce produit n'est pas adapté aux applications exposées aux bords saillants où la corde de sécurité de ce dispositif peut entrer en contact avec un bord pendant l'utilisation. Si une telle exposition est nécessaire pour l'application en question, un dispositif de protection des bords doit être utilisé pour garantir que la corde ne soit pas endommagée pendant l'utilisation. Pour plus d'informations ou pour des questions sur la sélection du produit, veuillez communiquer avec FallTech.

### **3.4 Applications approuvées :**

Voici des applications pour lesquelles tous les dispositifs de sauvetage et de descente UniDrive de FallTech® sont spécifiquement adaptés. Toutes les applications nécessitent un harnais de sécurité intégral. Cette liste n'est pas exhaustive, mais vise à anticiper les applications les plus courantes dans lesquelles ce produit peut être utilisé.

#### **3.4.1 Descente (Dispositif de contrôle de descente)**

Le UniDrive peut être utilisé comme descendeur ou dispositif de contrôle de descente pour une ou deux personnes simultanément, ou plusieurs personnes individuellement, l'une après l'autre en opération navette. Le UniDrive limitera automatiquement la vitesse de descente en fonction de la charge sur le dispositif.

#### **3.4.2 Sauvetage :**

Le UniDrive peut être utilisé pour le sauvetage après un événement de chute et est adapté pour un sauvetage autonome ou assisté. Le sauvetage assisté peut être effectué à partir d'une surface de travail ou le dispositif peut être attaché au sauveteur afin qu'il puisse descendre vers la victime pour le sauvetage. Assurez-vous qu'un plan de sauvetage écrit, une méthode et un système sont en place et facilement accessibles pour une intervention rapide. Les sauvetages peuvent nécessiter un équipement ou des mesures spécialisés. Les opérations de sauvetage dépassent le cadre de ce manuel. Voir les normes Z359.4 et Z359.2 de l'ANSI.

## 4.0 Exigences du système

### 4.1 Capacité :

Le dispositif de sauvetage et de descente UniDrive est conçu pour être utilisé par :

- un utilisateur pesant entre 59 à 141 kg (130 et 310 lb) combinant le poids de l'utilisateur, des outils, des vêtements, etc., pour être conforme aux normes de l'ANSI et l'OSHA.
- un ou deux utilisateurs pesant au total entre 59 à 200 kg (130 et 440 lb), combinant le poids des utilisateurs, des outils, des vêtements, etc., pour être conforme uniquement à la norme de l'OSHA.

Selon l'application ou l'opération de sauvetage, la capacité peut être limitée par le nombre et la longueur des descentes. Consultez le Tableau 1B de l'Annexe A pour obtenir les spécifications complètes de capacité et de performance.

### 4.2 Compatibilité des connecteurs :

Les connecteurs sont considérés comme compatibles avec les éléments de connexion lorsqu'ils ont été conçus pour fonctionner ensemble de manière à ce que leurs dimensions et formes n'entraînent pas l'ouverture involontaire de leurs mécanismes de verrouillage, quelle que soit leur orientation. Communiquez avec FallTech pour toutes questions concernant la compatibilité. Les connecteurs doivent être compatibles avec le point d'ancrage ou les autres composants du système. N'utilisez pas d'équipement qui n'est pas compatible. Les connecteurs non compatibles peuvent se détacher involontairement. Les connecteurs doivent être compatibles en dimension, forme et résistance. Les connecteurs à fermeture et à verrouillage automatiques sont requis par l'ANSI et l'OSHA.

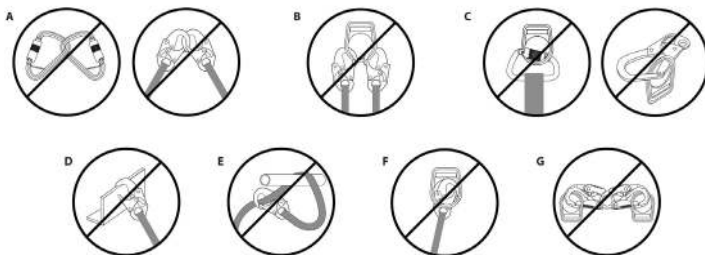


Figure 3 - Connexions incompatibles

Figure 3 - Connexions incompatibles	
<b>A</b>	Ne jamais connecter deux composants actifs (mousquetons) ensemble.
<b>B</b>	Ne connectez jamais deux composants actifs (mousquetons) à un seul anneau en D.
<b>C</b>	Ne jamais brancher d'une manière qui entraînerait une charge sur le port.
<b>D</b>	Ne jamais attacher à un objet d'une manière qui empêcherait le mousqueton de se fermer et de se verrouiller complètement. Toujours se prémunir contre les fausses connexions en vérifiant l'efficacité du verrouillage et de la fermeture.
<b>E</b>	N'attachez jamais explicitement à un sous-élément constitutif (toile, cordon ou corde) à moins que les consignes du fabricant ne le prévoient expressément pour les deux sous-éléments (mousqueton et toile, câble ou corde).
<b>F</b>	N'attachez jamais le connecteur de façon à ce qu'un élément du connecteur (le port ou le levier de déverrouillage) puisse s'accrocher à l'ancrage, ce qui augmenterait le risque de faux engagement.
<b>G</b>	N'attachez jamais un mousqueton d'écarteur à deux anneaux en D latéraux de manière à ce que les anneaux en D s'engagent dans les ports ; les ports d'un écarteur doivent toujours faire face aux anneaux en D pendant le positionnement, et ce, pendant toute la durée de l'opération.

### 4.3 Compatibilité des composants :

L'équipement est conçu pour être utilisé uniquement avec des composants et des sous-systèmes approuvés. Les substitutions ou remplacements effectués avec des composants ou des sous-systèmes non approuvés peuvent compromettre la compatibilité de l'équipement et peuvent affecter la sécurité et la fiabilité du système au complet.

### 4.4 Faire des connexions :

Utilisez uniquement des connecteurs autobloquants avec cet équipement. Utilisez uniquement des connecteurs adaptés à chaque application. Assurez-vous que toutes les connexions sont compatibles en dimension, forme et résistance. N'utilisez pas d'équipement qui n'est pas compatible, voir la Figure 3. Vérifiez visuellement que tous les connecteurs sont bien fermés et verrouillés. Les connecteurs sont conçus pour être utilisés uniquement comme spécifié dans les instructions d'utilisation de chaque produit.

### 4.5 Système de sauvetage :

Un système de sauvetage est un ensemble de composants et de sous-systèmes utilisés pour secourir une personne après une chute. Un système de protection contre les chutes est généralement composé d'un ancrage et d'un harnais intégral, avec un dispositif de connexion absorbant l'énergie déployé, c'est-à-dire un cordon amortisseur de chocs (CAC), un dispositif auto-rétractable (DAR) ou un sous-système de connexion pour arrêt de chute (SSCAC), connecté à l'anneau en D dorsal du harnais intégral de la victime de la chute. Le sauveteur peut ou non avoir besoin également d'équipement de protection contre les chutes en fonction de l'opération de sauvetage en cours et des dangers dans la zone de sauvetage. Les composants de sauvetage utilisés en conjonction avec ce dispositif de sauvetage doivent être conformes aux exigences de la norme ANSI Z359 et aux réglementations de l'OSHA applicables.

### 4.6 Chemin de descente sécuritaire et zone d'atterrissage :

Pour toutes les opérations utilisant le dispositif de sauvetage et de descente UniDrive, le chemin de descente planifié et la zone d'atterrissage planifiée doivent être exempts de toute obstruction pour permettre l'exécution et l'achèvement sécuritaires de l'opération. Le non-respect de cette règle peut entraîner des blessures graves ou la mort. Si une opération de sauvetage nécessite de soulever la victime au lieu de la descendre en sécurité en raison d'une zone d'atterrissage dangereuse, le sauveteur doit prendre des mesures appropriées pour s'assurer que la victime ne puisse pas descendre accidentellement dans une zone dangereuse.

### 4.7 Résistance de l'ancrage de sauvetage :

Un ancrage sélectionné pour les opérations de sauvetage doit avoir une résistance capable de soutenir une charge statique appliquée dans la direction permise par le sauvetage d'au moins :

- a. cinq fois la charge maximale autorisée lorsque la certification existe, ou
- b. 998 kg (2 200 lb) ou (22,2 kN) en l'absence de certification.

Sélectionnez soigneusement un emplacement d'ancrage. Tenez compte de la résistance structurelle, des obstructions sur le chemin de descente/sauvetage et d'autres dangers potentiels. Si plus d'un dispositif de sauvetage est attaché au même ancrage, la résistance minimale de l'ancrage doit être multipliée par le nombre de dispositifs connectés à l'ancrage.



### AVERTISSEMENT

**Ne modifiez pas ou n'utilisez pas intentionnellement cet équipement de manière abusive. Consultez FallTech lorsque vous utilisez cet équipement en combinaison avec des composants ou des sous-systèmes autres que ceux décrits dans ce manuel. Tous les composants ou sous-systèmes utilisés avec le dispositif de sauvetage décrit dans ce manuel doivent être conformes à la norme Z359 de l'ANSI et/ou à la norme de l'OSHA.**

## 5.0 Installation et utilisation

### 5.1 Installation du dispositif de sauvetage

Examinez la zone de travail pour repérer les dangers potentiels. Faites attention aux dangers en hauteur tels que les grues, les poteaux, les câbles électriques aériens, et les dangers sur les surfaces de marche et de travail comme les câbles électriques, les câbles de soudage, les tuyaux d'air et de fluide, ainsi que les dangers d'obstruction comme les colonnes verticales et les piles de matériaux au niveau inférieur. Éliminez les dangers dans la mesure du possible.

Assurez-vous que l'ancre offre le dégagement nécessaire en dessous de la surface de marche ou de travail et qu'il répond aux exigences de la section 4. Si à un moment donné pendant le travail ou l'opération de sauvetage, il y a des dangers de chute, l'équipement de protection contre les chutes approprié doit être utilisé en plus de l'équipement décrit dans ce manuel d'utilisation.

Inspectez l'appareil conformément aux « Exigences d'inspection avant utilisation » de la section 7 avant de l'utiliser. Une inspection complète peut être nécessaire avant utilisation si l'on ne peut pas confirmer que l'appareil a été entièrement inspecté avant d'être rangé.

### **Descente/Sauvetage automatique - Dispositif vers un ancrage fixe, point unique**

Le dispositif de sauvetage ne doit être utilisé que par des personnes ayant reçu une formation sur son utilisation sécuritaire et possédant les connaissances nécessaires pour l'utiliser comme dispositif de descente automatique ou de contrôle de descente. Lors de la descente, la corde de secours ne doit pas passer sur des arêtes vives ou des surfaces abrasives. Protégez les cordes contre les arêtes vives, les surfaces abrasives et autres dangers pouvant endommager la corde pendant l'opération. Portez des gants de protection.

#### **5.2.1 Ancrage du dispositif de sauvetage à un point d'ancrage fixe et unique.**

Retirez le dispositif de son conteneur d'entreposage. Attachez le dispositif de sauvetage à l'ancrage fixe et unique à l'aide du mousqueton du dispositif. Assurez-vous qu'il n'y a pas de nœuds ni de plis dans la corde de secours et que le dispositif est suspendu droit et libre.

#### **5.2.2 Utilisation du dispositif de sauvetage - Dispositif fixé à un point d'ancrage unique et fixe**

Connectez le mousqueton de la corde de secours adjacent au dispositif de sauvetage au point d'attache approprié du harnais intégral. Retirez tout jeu entre le dispositif et le point d'attache du harnais intégral. À aucun moment le dispositif de sauvetage ne doit être soumis à une chute libre ou à un arrêt de chute.

Déployez la corde de sauvetage stockée jusqu'à l'endroit prévu pour le sauvetage. Assurez-vous qu'il n'y a pas de nœuds ni de plis dans la corde de sauvetage et que le dispositif pend droit et librement. Dans la condition de non-chargement, lorsque aucune charge suspendue n'est présente sur la corde, le levier de direction de déplacement sur la tête de déclenchement à l'arrière du dispositif de sauvetage peut être déplacé de manière opérationnelle et la direction de déplacement du dispositif de sauvetage sélectionnée. Pour descendre, le levier de direction de déplacement doit pointer vers le côté long de la corde de sauvetage déployée vers l'endroit d'atterrissage. Le changement de direction du levier de direction de déplacement ne peut être effectué que lorsque le dispositif n'est pas chargé. S'il y a une charge suspendue, la charge doit être maintenue en actionnant la roue à main avant que la direction de déplacement puisse être changée.

Avant d'initier le sauvetage ou la descente, tout le mou de corde du côté de l'utilisateur connecté doit être enlevé pour éviter la chute libre.

Le système de sauvetage est maintenant configuré pour une descente/sauvetage automatique d'un ou deux utilisateurs simultanément. Pour une descente simultanée de deux utilisateurs, les deux utilisateurs doivent être connectés au mousqueton de la corde de sauvetage et/ou par des moyens alternatifs approuvés. La descente simultanée de deux utilisateurs ne doit être utilisée que lorsque la descente par opération de navette n'est pas possible. Voir la section 5.2.3 pour la descente/sauvetage de plusieurs utilisateurs via une opération de navette.

Si la charge en descente doit être arrêtée, un opérateur qui ne descend pas activement peut utiliser la roue à main du dispositif avec un effort minimal. Si l'utilisateur descendant activement doit contrôler la vitesse de descente ou s'arrêter, alors l'extrémité libre et non chargée de la corde de sauvetage peut être guidée à travers l'œillet ouvert et étirée vers le bas également connu sous le nom d'assurage de la corde. Dans cette position, l'opérateur peut maintenir le poids avec une seule main avec un effort minimal. En guidant lentement l'extrémité libre de la corde de sauvetage, l'opérateur peut maintenant contrôler la vitesse de la descente et l'arrêter à tout moment. Notez que ce type de sauvetage dépend de la longueur appropriée de la corde pour contrôler toute la longueur de descente. Ne tentez pas d'assurer la corde à moins d'être spécifiquement formé.

#### **5.2.3 Utilisation du dispositif de sauvetage, opération de navette - Dispositif à ancrage fixe à un point**

Pour les sauvetages de plusieurs victimes, chaque victime doit avoir un harnais de corps entier. Le sauvetage sera effectué une personne à la fois jusqu'à ce que l'opération de sauvetage soit complète.

Le dispositif de sauvetage UniDrive de FallTech peut fonctionner dans les deux directions, facilitant le sauvetage rapide de plusieurs victimes via une opération de navette. Suivez les étapes de la section 5.2.2 pour le sauvetage du premier/utilisateur initial. N'amarrez pas la corde pour une utilisation en opération de navette.

Après que le premier utilisateur soit descendu, il doit se déconnecter du mousqueton de la corde de sauvetage.

Le deuxième utilisateur peut maintenant s'attacher au mousqueton de la corde de sauvetage opposé. Enlevez tout mou de corde du dispositif jusqu'au point d'attache du harnais de corps entier. À aucun moment le dispositif de sauvetage ne doit être soumis à une chute libre ou à un arrêt de chute.

Basculez le levier de direction de déplacement afin que le deuxième utilisateur puisse maintenant descendre.

Ce processus peut être répété jusqu'à ce que toutes les personnes soient descendues/secourues. Selon l'application ou l'opération de sauvetage, la capacité peut être limitée par le nombre et la longueur des descentes. Consultez le Tableau 1B de l'Annexe A pour obtenir les spécifications complètes de capacité et de performance.

### **5.3 Sauvetage/Descente - Dispositif connecté au sauveteur/utilisateur**

Le dispositif de sauvetage ne doit être utilisé que par des personnes ayant reçu une formation sur son utilisation sécuritaire et ayant les connaissances appropriées pour l'utiliser comme dispositif de sauvetage autonome ou assisté. Lorsque vous soulevez ou descendez, la corde de sauvetage ne doit pas passer sur des bords tranchants ou des surfaces abrasives. Protégez les cordes contre les bords tranchants, les surfaces abrasives et autres dangers qui pourraient endommager la corde pendant l'opération. Portez des gants de protection.

#### **5.3.1 Ancrage du dispositif de sauvetage - Dispositif connecté au sauveteur/utilisateur**

Retirez le dispositif du conteneur d'entreposage. Connectez le dispositif de sauvetage au point d'attache sternal ou frontal du harnais de corps entier via le mousqueton du dispositif. Assurez-vous qu'il n'y a pas de nœuds ni de plis dans la corde de sauvetage et que le dispositif pend droit et librement. Attachez le mousqueton de corde de sauvetage adjacent au dispositif de sauvetage au point d'ancrage. Enlevez tout mou de corde du dispositif jusqu'au point d'attache du harnais de corps entier. À aucun moment le dispositif de sauvetage ne doit être soumis à une chute libre ou à un arrêt de chute.

#### **5.3.2 Utilisation du dispositif de sauvetage - Dispositif connecté au sauveteur/utilisateur**

Déployez la corde de sauvetage stockée jusqu'à l'endroit prévu pour le sauvetage. Assurez-vous qu'il n'y a pas de nœuds ni de plis dans la corde de sauvetage et que le dispositif pend droit et librement.

Dans la condition de non-chargement, lorsque aucune charge suspendue n'est présente sur la corde, le levier de direction de déplacement sur la tête de déclenchement à l'arrière du dispositif de sauvetage peut être déplacé de manière opérationnelle et la direction de déplacement du dispositif de sauvetage sélectionnée. Pour descendre, le levier de direction de déplacement doit pointer vers le côté long de la corde de sauvetage déployée vers l'endroit d'atterrissage. Le changement de direction du levier de direction de déplacement ne peut être effectué que lorsque le dispositif n'est pas chargé. S'il y a une charge suspendue, la charge doit être maintenue en actionnant la roue à main avant que la direction de déplacement puisse être changée.

Avant d'initier le sauvetage ou la descente, tout le mou de corde du côté de l'utilisateur connecté doit être enlevé pour éviter la chute libre.

Le système de sauvetage est maintenant configuré pour une descente/sauvetage automatique d'un ou deux utilisateurs simultanément. Pour une descente simultanée de deux utilisateurs, les deux utilisateurs doivent être connectés au mousqueton de la corde de sauvetage et/ou par des moyens alternatifs approuvés.

Si la charge descendante doit être arrêtée, l'utilisateur peut utiliser la manivelle du dispositif avec un effort/pression minimal. L'utilisateur peut désormais contrôler la vitesse de la descente et l'arrêter à tout moment. Ne tentez pas de guider la corde à moins d'être spécifiquement formé à cet effet.

En cas de sauvetage assisté, il peut être nécessaire pour le sauveteur de soulever la victime afin de désengager un système d'arrêt de chute individuel. Voir la section 5.4 pour les procédures de levage.

## 5.4 Sauvetage/Descente - Levage

Le dispositif de sauvetage ne doit être utilisé que par des personnes ayant reçu une formation sur son utilisation sécuritaire et ayant les connaissances appropriées pour l'utiliser comme dispositif de sauvetage autonome ou assisté. Lors du levage ou de la descente, la corde de sauvetage ne doit pas passer sur des bords tranchants ou des surfaces abrasives. Protégez les cordes contre les bords tranchants, les surfaces abrasives et autres dangers qui pourraient endommager la corde pendant l'opération. Portez des gants de protection.

Dans le cadre des opérations de sauvetage planifiées, il peut être nécessaire de soulever la victime au niveau de fonctionnement du dispositif de sauvetage ou de la soulever suffisamment pour éliminer la tension sur un système d'arrêt de chute individuel engagé. Lorsque la charge est arrêtée ou qu'il n'y a pas de charge sur le système, le levier de direction de déplacement peut être changé pendant que la charge est maintenue par la manivelle.

Pour effectuer un levage, le levier de direction de déplacement du dispositif de sauvetage doit être engagé afin que la charge soit maintenue et ne descende pas. Dans cette configuration, le déplacement vers le haut peut commencer à partir de l'une des trois méthodes d'entrée : une manivelle actionnée manuellement, une poignée de cliquet télescopique amovible, ou un adaptateur pour foret pour une utilisation avec une alimentation électrique. Le UniDrive est équipé d'un limiteur de couple pour éviter la surcharge du dispositif pendant les opérations de levage.

Après le levage, la capacité de descente peut être rétablie via le levier de direction de déplacement et la charge est maintenue par la manivelle.

Pour le levage avec une visseuse sans fil, FallTech recommande un niveau de puissance minimum de 18V/4,0aH. N'utilisez pas de tournevis à percussion avec le UniDrive car il contient déjà des mécanismes de limitation de couple et de réduction de vitesse pour un levage en douceur.

Selon l'application ou l'opération de sauvetage, la capacité peut être limitée par le nombre et la longueur des descentes. Consultez le Tableau 1B de l'Annexe A pour obtenir les spécifications complètes de capacité et de performance.

## 5.5 Après utilisation :

Le dispositif de sauvetage UniDrive de FallTech doit être retiré du service une fois utilisé. Pour le remettre en service, une personne compétente doit inspecter entièrement le dispositif selon les exigences de la section 7.0 après toute utilisation ou retrait du produit du conteneur d'entreposage. Pour garantir un sauvetage rapide pour une utilisation future, il est essentiel d'inspecter entièrement et de préparer le UniDrive pour une utilisation future avant de le remballer.

Les unités utilisées lors d'opérations de sauvetage doivent avoir leur utilisation documentée et enregistrée pour un entretien régulier basé sur l'utilisation. Voir le Tableau 1B dans l'Annexe A pour les limites d'utilisation du dispositif de sauvetage.

## 6.0 Entretien, service et entreposage

### 6.1 Entretien :

Assurez-vous que le dispositif de sauvetage est exempt d'excès de peinture, de graisse, de saleté ou d'autres contaminants, car cela pourrait entraîner un dysfonctionnement du mécanisme. Assurez-vous qu'aucun débris n'entre dans le boîtier par le port d'accès à la corde. Nettoyez l'extérieur de l'unité au besoin avec une solution détergente/eau. Évitez que l'eau ou d'autres éléments causant la corrosion n'entrent dans le boîtier. Après le nettoyage, laissez l'unité sécher à l'air. Nettoyez les étiquettes selon les besoins.

- NE PAS sécher à la chaleur.
- NE TENTEZ PAS de démonter le dispositif de sauvetage à moins d'être autorisé par écrit par le fabricant.

### 6.2 Service :

Si un service est requis pour quelque raison que ce soit; échec d'inspection, limites d'utilisation, tout type de dysfonctionnement, étiquetez l'unité comme « INUTILISABLE », rangez-la séparément et communiquez avec FallTech en composant le 323-752-0066 afin d'obtenir un numéro d'autorisation de retour. Le dispositif de sauvetage n'est pas réparable par l'utilisateur. Seul le fabricant, ou une personne autorisée par écrit, peut effectuer des réparations sur le dispositif de sauvetage.

### 6.3 Entreposage :

Le dispositif de sauvetage doit être rangé dans un conteneur approprié pour le protéger dans un environnement frais, sec et propre, à l'abri de la lumière directe du soleil. Évitez les environnements caustiques, chimiques ou dangereux. Des moyens d'entreposage supplémentaires autres que ceux fournis par FallTech peuvent être nécessaires en fonction de l'environnement d'entreposage.

### 7.0 Vérification

#### 7.1 Inspection de pré-utilisation par l'utilisateur :

Effectuez une inspection avant chaque utilisation conformément aux recommandations du Tableau 1 ci-dessous. Retirez du service toute unité qui échoue à l'inspection. N'utilisez pas d'unité qui n'a pas été correctement inspectée et préparée avant d'être rangée.

Tableau 1 - Directives pour l'inspection de l'équipement de sauvetage		
Inspection	Passer	Échouer
Vérifiez que la corde de sécurité se déplace sans à-coups à travers le dispositif. Basculez le levier de direction de déplacement et assurez-vous que la corde se déplace sans à-coups dans les deux directions.		
Vérifiez que lorsque le levier de direction de déplacement est enclenché, la corde de sécurité ne se déplace pas d'un côté du dispositif. Confirmez la fonction de verrouillage du dispositif dans les deux directions.		
Inspectez l'ensemble de l'unité à la recherche de signes de corrosion ou de contamination pouvant résulter de longues périodes d'entreposage dans des environnements défavorables.		
Inspectez toute la longueur de la corde de sécurité. La corde ne doit pas présenter de brins effilochés, de coupures, d'abrasions, de marques de brûlure et de décoloration indiquant des dommages aux UV. Les œillets en manille doivent être fermement en place et il ne doit y avoir aucun dépôt de matières étrangères telles que de la peinture, de la saleté, de la rouille, du béton ou du ciment, etc. Un léger duvet sur la corde est acceptable tant que le noyau interne blanc de la corde n'est pas ouvertement exposé.		
Vérifiez qu'il n'y a pas de vis ou d'écrous manquants ou desserrés et que les composants ne sont pas déformés ou endommagés.		
Examinez le boîtier externe pour détecter les fissures, les cassures, les déformations ou tout autre dommage.		
Vérifiez les connecteurs externes et le mousqueton d'ancrage afin de détecter les dommages et les déformations. Le doigt du mousqueton d'ancrage doit s'ouvrir et se refermer facilement et en douceur.		
Toutes les étiquettes doivent être intactes et bien lisibles (voir section 8).		

#### 7.2 Inspection de l'utilisateur après utilisation :

Après utilisation, les unités doivent être entièrement inspectées avant d'être remises en service par une personne compétente. Effectuez une inspection conforme aux recommandations du Tableau 1 ci-dessous. Retirez du service toute unité qui ne passe pas l'inspection.

#### 7.3 Fréquence d'inspection :

En plus de l'inspection après utilisation, une inspection par une personne compétente à intervalles réguliers est requise au minimum une fois par an.

Les unités scellées dans un sac en plastique dans un conteneur d'entreposage du fabricant sont exemptées de cette exigence d'inspection annuelle, car l'inspection nécessiterait de rompre le sceau. Les unités scellées dans un sac en plastique dans un conteneur d'entreposage du fabricant doivent être ouvertes et inspectées dans les 10 ans suivant la date de fabrication initiale indiquée sur le conteneur d'entreposage.

#### 7.4 Liste de vérification pour l'inspection :

Utilisez le Tableau 1 : Lignes directrices pour l'inspection du dispositif de sauvetage pour inspecter le dispositif de sauvetage.

#### 7.5 Résultats de l'inspection :

Si une inspection révèle des défauts ou des dommages à l'équipement, un entretien inadéquat ou des indicateurs de chute activés, retirez l'équipement du service.

#### 7.6 Document d'inspection :

Inscrire les résultats de l'inspection dans le registre d'inspection fourni ci-dessous ou dans un document semblable.

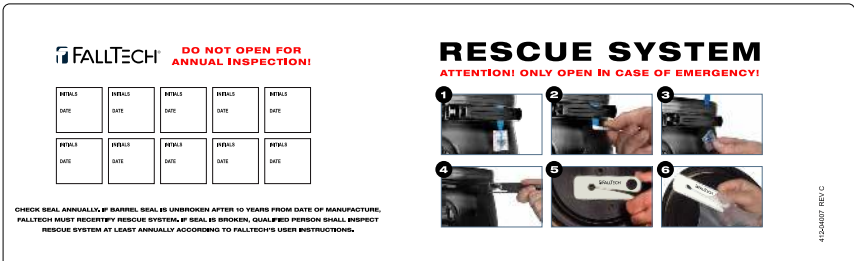
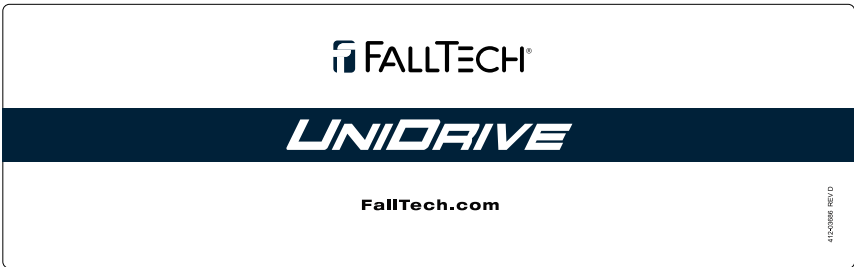
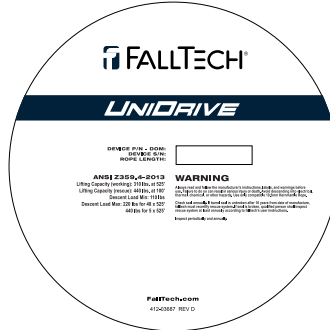


## 8.0 Étiquettes

Les étiquettes du produit doivent être présentes et lisibles.



## 8.1 Étiquettes de barils d'entreposage (si applicable)



## 9.0 Définitions

Les termes généraux reliés à la protection contre les chutes, tels que définis par l'ANSI Z359.0-2012, se présentent comme suit :

**Ancrage** :Un point de connexion sécurisé ou un composant terminal d'un système de protection contre les chutes ou d'un système de sauvetage capable de supporter en toute sécurité les forces d'impact appliquées par un système de protection contre les chutes ou un sous-système d'ancrage.

**Connecteur d'ancrage** :Un composant ou un sous-système qui fonctionne comme une interface entre l'ancrage et un système de protection contre les chutes, de positionnement de travail, d'accès par corde ou de sauvetage dans le but de coupler le système à l'ancrage.

**Distance d'arrêt** :La distance verticale totale nécessaire pour arrêter une chute. La distance d'arrêt comprend la distance de décélération et la distance d'activation.

**Personne autorisée** :Une personne désignée par l'employeur pour effectuer des tâches à un endroit où la personne sera exposée à un risque de chute.

**Dégagement disponible** :La distance entre un point de référence, tel que la plate-forme de travail, et l'obstacle le plus proche qu'une personne autorisée pourrait rencontrer lors d'une chute qui, si elle était heurtée, pourrait causer des blessures.

**Capacité** :Le poids maximal qu'un composant, un système ou un sous-système est conçu pour soutenir.

**Certification** :L'acte d'attester par écrit que les critères établis par ces normes ou une autre norme désignée ont été respectés.

**Ancrage certifié** :Un ancrage pour les systèmes antichute, de positionnement, de retenue ou de sauvetage qu'une personne qualifiée certifie être capable de supporter les forces de chute potentielles qui pourraient être rencontrées lors d'une chute.

**Dégagement** :La distance entre un point de référence spécifié, comme la plate-forme de travail ou l'ancrage d'un système antichute, et le niveau inférieur qu'un travailleur pourrait rencontrer lors d'une chute.

**Exigence de dégagement** :La distance en dessous d'une personne autorisée qui doit rester libre de tout obstacle afin de s'assurer que la personne autorisée n'entre pas en contact avec des objets qui pourraient causer des blessures en cas de chute.

**Personne compétente** :Une personne désignée par l'employeur pour être responsable de la supervision immédiate, de la mise en œuvre et de la surveillance du programme géré de protection contre les chutes de l'employeur qui, grâce à la formation et aux connaissances, est capable d'identifier, d'évaluer et de traiter les risques de chute existants et potentiels, et qui a l'autorité de l'employeur autorité pour prendre rapidement des mesures correctives à l'égard de tels dangers.

**Composant** :Un élément ou un ensemble intégral d'éléments interconnectés destinés à remplir une fonction dans le système.

**Sous-système de connexion** :Un assemblage, y compris les connecteurs nécessaires, composé de tous les composants, sous-systèmes, ou les deux, entre l'ancrage ou le connecteur d'ancrage et le point d'attache du harnais.

**Connecteur** :Un composant ou un élément qui est utilisé pour coupler des parties du système ensemble.

**Distance de décélération** :La distance verticale entre l'accessoire antichute de l'utilisateur au début des forces d'arrêt de chute lors d'une chute et après l'arrêt complet de l'accessoire antichute.

**Absorbeur d'énergie (choc)** :Composant dont la fonction première est de dissiper l'énergie et de limiter les forces de décélération que le système impose au corps lors d'un blocage de chute.

**Arrêt de chute** :L'action ou l'événement de blocage d'une chute libre ou l'instant où la chute libre vers

le bas a été bloquée.

**Risque de chute** :Tout endroit où une personne est exposée à une chute libre potentielle.

**Chute libre** :Le fait de tomber avant qu'un système de protection contre les chutes ne commence à appliquer des forces pour arrêter la chute.

**Distance de chute libre** :La distance verticale parcourue lors d'une chute, mesurée depuis le début d'une chute depuis une surface de travail piétonne jusqu'au point auquel le système de protection contre les chutes commence à arrêter la chute.

**Harnais intégral** :Un support corporel conçu pour contenir le torse et répartir les forces d'arrêt de chute sur au moins le haut des cuisses, le bassin, la poitrine et les épaules.

**Corde de sécurité horizontale** :Composant d'un sous-système de corde de sécurité horizontale, constitué d'une corde flexible avec des connecteurs ou d'autres moyens de couplage aux deux extrémités pour la fixer horizontalement entre deux ancrages ou connecteurs d'ancrage.

**Système de corde de sécurité horizontale** :Un ensemble, comprenant les connecteurs nécessaires, composé d'un élément de corde de sécurité horizontale et, éventuellement, de : a) Un composant absorbant l'énergie ou, b) Un composant tendeur de corde de sécurité, ou les deux. Ce sous-système est normalement attaché à chaque extrémité à un ancrage ou connecteur d'ancrage. Les ancrages d'extrémité ont la même élévation.

**Longe** :Composant composé d'une corde flexible, d'un câble métallique ou d'une sangle, qui a généralement un connecteur à chaque extrémité pour se connecter au support du corps et à un système antichute, un absorbeur d'énergie, un connecteur d'ancrage ou un ancrage.

**Sous-système de raccord de longe** :Un ensemble, comprenant les connecteurs nécessaires, composé d'une longe uniquement, ou d'une longe et d'un absorbeur d'énergie.

**Système antichute personnel (SAP)** :Ensemble de composants et de sous-systèmes utilisés pour arrêter une personne en chute libre.

**Positionnement** :Action de soutenir le corps avec un système de positionnement dans le but de travailler les mains libres.

**Positionnement de la longe** :Longe utilisée pour transférer les forces d'un support corporel à un ancrage ou à un connecteur d'ancrage dans un système de positionnement.

**Personne qualifiée** :Une personne titulaire d'un diplôme ou d'un certificat professionnel reconnu et possédant une connaissance, une formation et une expérience approfondies dans le domaine de la protection contre les chutes et du sauvetage, capable de concevoir, d'analyser, d'évaluer et de spécifier des systèmes de protection contre les chutes et de sauvetage.

**Dispositif auto-rétractable (DAR)** :Un dispositif qui contient une corde de bobinage à tambour qui se verrouille automatiquement au début d'une chute pour arrêter l'utilisateur, mais qui se déroule et se rétracte automatiquement sur le tambour pendant le mouvement normal de la personne à laquelle la corde est attachée.

**Mousqueton** : Connecteur constitué d'un corps en forme de crochet avec une barrière normalement fermée ou un agencement similaire qui peut être ouvert pour permettre au crochet de recevoir un objet et, lorsqu'il est relâché, se ferme automatiquement pour retenir l'objet.

**Chute par basculement** :Un mouvement de type pendule qui se produit pendant et/ou après une chute. Une chute avec balancement se produit lorsqu'une personne autorisée commence une chute à partir d'une position située horizontalement à l'écart d'un ancrage fixe.

## Annexe A

### Tableau 1A : Spécifications pour le dispositif de sauvetage et de descente UniDrive

no du modèle	Matériel de la ligne de vie	Longueur de travail	Matériels et spécifications	Capacité et normes
<b>Ensembles de sacs</b>  681450K 6814150K 6814300K 6814400K 6814500K	Corde intégrée en polyamide Kernmantle de diamètre 10,5 mm (7/16 po)  0,7 kg/m (0,048 lb/pi)  Élongation : 3,0 %	15,2 m (50 pi) 45,7 m (150 pi) 91,4 m (300 pi) 121,9 m (400 pi) 152,4 m (500 pi)	Boîtier : alliage d'aluminium moulé  Connecteurs : alliage d'aluminium de 22,2 kN (5 000 lb) avec une résistance de 16 kN (3 600 lb) au niveau de la vanne  Température minimale de service : -40 °C (-40 °F)  Température de service maximale : 60 °C (140 °F)  Équation de travail : Classe A EN : $W = 7,5 \times 106 J$ (1,02 x 107 lbf) Classe B EN : $W = 7,5 \times 106 J$ (1,02 x 107 lbf)	Capacité pour un utilisateur : 59 à 141 kg (130 à 310 lb) afin d'être conforme à l'ANSI  Capacité pour un ou deux utilisateurs : 50 à 200 kg (110 à 440 lb) pour être conforme uniquement à la norme de l'OSHA  ANSI Z359.4-2013  EN 1891:1998 EN 1496:2006 Classe B EN 341:2011/1A (100 kg) EN 341:2011/1B (200 kg)  OSHA 1926.502 OSHA 1910.140
<b>Ensembles de barils</b>  6813150K 6813300K		45,7 m (150 pi) 91,4 m (300 pi)		

### Tableau 1B : Spécifications de performance du dispositif de sauvetage et de descente UniDrive

Spécifications du dispositif de contrôle de la descente		Spécifications du dispositif de levage	
Hauteur maximale de descente :	160 m (524 pi)	Hauteur de levage maximale :	160 m (524 pi)
Charge maximale de descente :	200 kg (440 lb)	Charge maximale de levage (opération manuelle) :	200 kg (440 lb)
Charge minimale de descente :	50 kg (110 lb)	Charge maximale de levage (fonctionnement électrique) :	141 kg (310 lb)
Nombre maximal de descentes x hauteur [100 kg (220 lb) max.] :	48 x 160 m (524 pi)		
Nombre maximal de descentes x hauteur [200 kg (440 lb) max.] :	5 x 160 m (524 pi)		
Vitesse maximale de descente [100 kg (220 lb) max.] :	0,79 m/s (2,6 pi/sec)		
Vitesse maximale de descente [200 kg (440 lb) max.] :	2,0 m/s (6,5 pi/sec)		