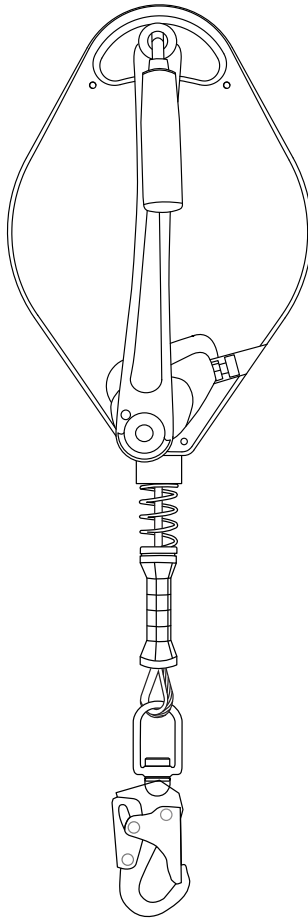




User Instruction Manual

DuraTech™ 3-Way Retrieval SRL-R



This manual is intended to meet the Manufacturer's Instructions as required by the American National Standards Institute (ANSI) Z359 and should be used as part of an employee training program as required by the Occupational Safety and Health Administration (OSHA).

FallTech © 2024

1306 South Alameda Street Compton, CA 90221, USA

1-800-719-4619 • 1-323-752-0066

www.FallTech.com

Table of Contents

1.0 Warnings and Important Information	3
2.0 Description	4
3.0 Application	5
4.0 System Requirements.....	6
5.0 Installation and Use	7
6.0 Maintenance, Service, and Storage.....	14
7.0 Inspection.....	15
8.0 Labels.....	19
9.0 Definitions.....	20

For the purposes of this manual, the FallTech[®] DuraTech 3-Way Retrieval SRL-R in all iterations may be referred to collectively as the DuraTech, the DuraTech SRL-R, the SRL-R, the SRL, the 3-Way, the self-retracting device (SRD), the self-retracting lifeline (SRL), the equipment, the device, the product, or the unit.

Throughout this manual, ANSI Z359.0-2012 fall protection words, phrases, and terms are used. These terms are all formally defined in Section 9 of this manual.

Any non-English translations of this user instruction manual are for reference only.

 **WARNING**

- Avoid moving machinery, thermal, electrical, and/or chemical hazards as contact may cause serious injury or death.
- Avoid swing falls.
- Follow the weight restrictions and recommendations in this manual.
- Remove from service any equipment subjected to fall arrest forces.
- Remove from service any equipment that fails inspection.
- Do not alter or intentionally misuse this equipment.
- Consult FallTech when using this equipment in combination with components or subsystems other than those described in this manual.
- Do not connect rebar hooks, large carabiners, or large snap hooks to the FBH dorsal D-rings as this may cause a roll-out condition and/or unintentional disengagement.
- Avoid sharp and/or abrasive surfaces and edges.
- Use caution when performing arc welding. Arc flash from arc welding operations, including accidental arcs from electrical equipment, can damage equipment and are potentially fatal.
- Examine the work area. Be aware of the surroundings and workplace hazards that may impact safety, security, and the functioning of fall arrest systems and components.
- Hazards may include but not be limited to cable or debris tripping hazards, equipment failures, personnel mistakes, moving equipment such as carts, barrows, fork lifts, cranes, or dollies. Do not allow materials, tools or equipment in transit to contact any part of the fall arrest system.
- Do not work under suspended loads.

 **IMPORTANT**

1.0 Warnings and Important Information

This product is part of a personal fall arrest, restraint, work positioning, suspension, or rescue system. A Personal Fall Arrest System (PFAS) is typically composed of an anchorage and a Full Body Harness (FBH), with a connecting device, i.e., a Energy Absorbing Lanyard (EAL), or a Self-Retracting Device (SRD), attached to the dorsal D-ring of the FBH.

These instructions must be provided to the worker using this equipment. The worker must read and understand the manufacturer's instructions for each component or part of the complete system. Manufacturer's instructions must be followed for proper use, care, and maintenance of this product. These instructions must be retained and be kept available for the worker's reference at all times. Alterations or misuse of this product, or failure to follow instructions, may result in serious injury or death.

A Fall Protection Plan must be on file and available for review by all workers. It is the responsibility of the worker and the purchaser of this equipment to assure that users of this equipment are properly trained in its use, maintenance, and storage. Training must be repeated at regular intervals. Training must not subject the trainee to fall hazards.

Consult a doctor if there is reason to doubt your fitness to safely absorb the shock of a fall event. Age and fitness seriously affect a worker's ability to withstand falls. Pregnant women or minors must not use this equipment.

ANSI limits the weight of fall protection equipment users to a maximum of 310 lbs. Products in this manual may have a rated capacity exceeding ANSI capacity limits. Heavy users experience more risk of serious injury or death due to falls because of increased fall arrest forces placed on the user's body. In addition, the onset of suspension trauma after a fall even may be accelerated for heavy users.

The user of the equipment discussed in this manual must read and understand the entire manual before beginning work.

NOTE: For more information consult the ANSI Z359 body of standards.

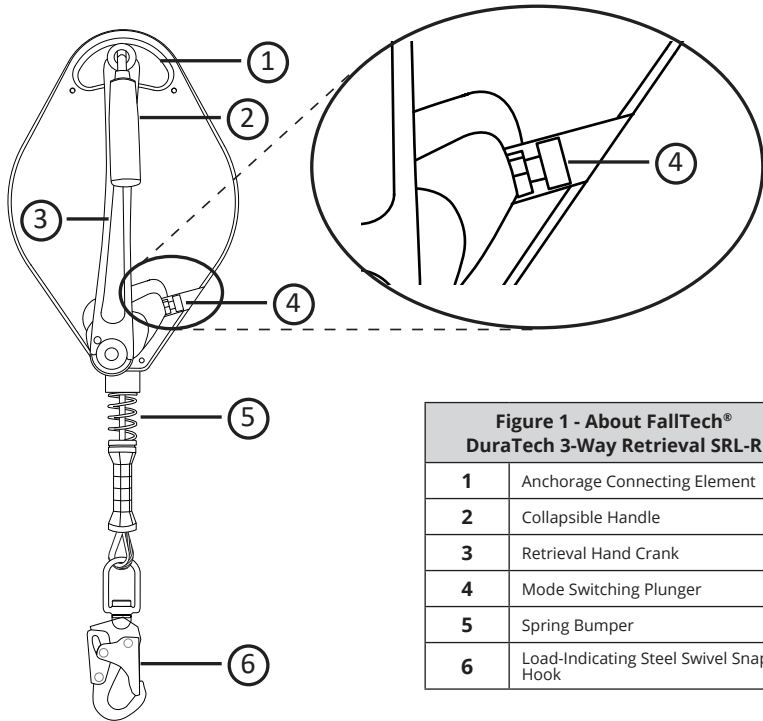
2.0 Description

The FallTech® DuraTech 3-Way Retrieval SRL-R is a self-retracting lifeline with integral rescue capability. The DuraTech SRL-Rs described in this manual has an integral hand crank to raise or lower a fallen victim to a safe level. The DuraTech SRL-Rs can be attached to an overhead anchorage or attached to a FallTech® Tripod or Davit systems with the included mounting bracket.

This product is not suitable for applications with leading edge exposures where the lifeline of this device may come in contact with an edge during a fall event. Contact FallTech for more information or product selection questions.

This manual contains one Appendix that contains figures and tables specific to the DuraTech SRL-R discussed in this manual.

Figure 1 below shows the components of the DuraTech SRL-R that may be referred to in this user instruction manual. See Table 1A in Appendix A for product and materials specifications.



2.1 Occupational Safety and Health Administration (OSHA):

The SRD discussed in this manual meets Occupational Safety and Health Administration (OSHA) regulations 1926.502 and 1910.140. Dynamic performance means that the SRD is installed in a testing drop tower. A test weight is attached to the SRD and then dropped. Test results are recorded.

Parameters recorded are:

- Arrest Distance (AD)
- Average Arrest Force (AAF)
- Maximum Arrest Force (MAF)

The Arrest Distance is the total vertical distance required to arrest a fall. The Arrest Distance includes the deceleration distance and the activation distance. The Average Arrest Force is the average of the forces applied to the body and the anchorage by the fall protection system. The Maximum Arrest Force is the maximum amount of force that may be applied to the body and the anchorage by the fall protection system. In addition to the above tests conducted in ambient conditions, the units must be retested for average and peak forces under certain environmental conditions, where the units are cooled, then tested, heated, then tested, or saturated in water and tested again. Separate units may be used for each test. All test results are recorded. This test data is then used to establish the basis for fall clearance guidelines published in the user instruction manual.

Please see Section 5 of this user instruction manual for how to calculate your Minimum Required Fall Clearance (MRFC). Table 1B provides test performance results for the SRD discussed in this manual.

3.0 Application

3.1 Purpose:

The FallTech® DuraTech 3-Way Retrieval SRL-R is designed to be used as a component in a Personal Fall Arrest System (PFAS), to provide a combination of worker mobility and fall protection as required for inspection work, general construction, maintenance work, oil production, confined space work, etc. The SRL-R described in this manual has rescue capability in the event of a fall. By switching the mode of the unit, the fallen victim can be then raised or lowered to safety.

3.2 Personal Fall Arrest System:

A PFAS is an assembly of components and subsystems used to arrest a person during a fall event. A PFAS typically consists of an anchorage, a deceleration device such as a Shock Absorbing Lanyard (SAL), a Self-Retracting Device (SRD), or a Fall Arrestor Connecting Subsystem (FACSS), and a properly fitted Full Body Harness (FBH). Maximum permissible free fall in a typical PFAS is 6' (1.8 m).

3.3 Application Limits:

The FallTech® DuraTech 3-Way Retrieval SRL-R is a deceleration device with integral rescue capability. Care should be taken to understand the capacity of the system, anchorage strength requirements, total allowable free fall, and the requirements how the user's PFAS deploys during a fall event. The longer the freefall, the greater the energy in the system and will result in more significant clearance requirements and impact forces on the body. Take action to avoid sharp edges, abrasive surfaces, and thermal, electrical, and chemical hazards.

Note: The FallTech® DuraTech 3-Way Retrieval SRL-R discussed in this manual is not intended for material handling applications.

3.4 Approved Applications:

Below are applications for which all FallTech® DuraTech 3-Way Retrieval SRL-R are specifically suited. This list is not all-inclusive, but is intended to anticipate the most common applications in which this product may be used.

3.4.1 Personal Fall Arrest:

The FallTech® DuraTech 3-Way Retrieval SRL-R used as the deceleration device component of a PFAS to protect the user in the event of a fall. PFAS typically consists of an anchorage, a Full Body Harness (FBH), and a deceleration device such as a Energy Absorbing Lanyard (EAL) or Self Retracting Device (SRD).

3.4.2 Rescue:

The FallTech® DuraTech 3-Way can be used for rescue after a fall event. Ensure a written rescue plan, method, and system is in place and readily available for rapid response. Rescues may require

specialized equipment or measures. Rescue operations are beyond the scope of this manual. See ANSI Z359.4 and Z359.2.

4.0 System Requirements

4.1 Capacity:

The DuraTech SRL-R is designed for use by a single user with a combined weight of user, tools, clothing, etc., of 130–310 lbs (59-141 kg).

4.2 Compatibility of Connectors:

Connectors are considered to be compatible with connecting elements when they have been designed to work together in such a way that their sizes and shapes do not cause their gate mechanisms to inadvertently open regardless of how they become oriented. Contact FallTech if you have any questions about compatibility. Connectors must be compatible with the anchorage or other system components. Do not use equipment that is not compatible. Non-compatible connectors may unintentionally disengage. Connectors must be compatible in size, shape, and strength. Self-closing, self-locking connectors are required by ANSI and OSHA.

4.3 Compatibility of Components:

Equipment is designed for use with approved components and subsystems only. Substitutions or replacements made with non-approved components or subsystems may jeopardize compatibility of equipment and may affect the safety and reliability of the complete system.

4.4 Making Connections:

Only use self-locking connectors with this equipment. Only use connectors that are suitable to each application. Ensure all connections are compatible in size, shape, and strength. Do not use equipment that is not compatible, see Figure 3. Visually ensure all connectors are fully closed and locked. Connectors are designed to be used only as specified in each product's user's instructions.

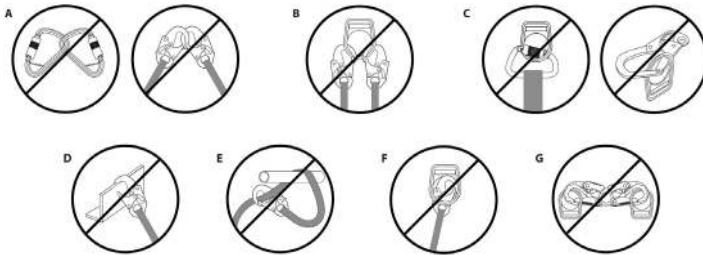


Figure 3 - Non-Compatible Connections

A	Never connect two active components (snap hooks or carabiners) to each other.
B	Never connect two active components (snap hooks or carabiners) to a single D-ring at the same time.
C	Never connect in a way that would produce a condition of loading on the gate.
D	Never attach to a object in a manner whereby the gate (of the snap hook or carabiner) would be prevented from fully closing and locking. Always guard against false connections by visually inspecting for closure and lock.
E	Never attach explicitly to a constituent subcomponent (webbing, cable or rope) unless specifically provided for by the manufacturer's instructions for both subcomponents (snap hook or carabiner and webbing, cable or rope).
F	Never attach in a manner where an element of the connector (gate or release lever) may become caught on the anchor thereby producing additional risk of false engagement.
G	Never attach a spreader snap hook to two side/positioning D-rings in a manner whereby the D-rings will engage the gates; the gates on a spreader must always be facing away from the D-rings during work positioning.

4.5 Personal Fall Arrest System:

A PFAS is an assembly of components and subsystems used to arrest a person during a fall event. A PFAS is typically composed of an anchorage and a FBH, with an energy absorbing connecting device, i.e., an SAL, an SRD, or a Fall Arrester Connecting Subsystem (FACSS), connected to the dorsal D-ring of the FBH. PFAS components used in conjunction with this SRD should comply with ANSI Z359 requirements, and applicable OSHA regulations.

4.6 PFAS Anchorage Strength:

An anchorage selected for PFAS must have a strength able to sustain a static load applied in the direction permitted by the PFAS of at least:

- a. Two times the maximum arrest force permitted when certification exists, or
- b. 5,000 lbs. (22.2 kN) in the absence of certification.

Select an anchorage location carefully. Consider structural strength, obstructions in the fall path, and swing fall hazards. In certain situations, the qualified person can determine that a given structure is able to withstand the applied MAF of the PFAS with a safety factor of at least two, as required by OSHA.



Do not alter or intentionally misuse this equipment. Consult FallTech when using this equipment in combination with components or subsystems other than those described in this manual. All components or subsystems used with the SRD discussed in this manual must be in compliance with ANSI Z359 and/or OSHA.

Do not insert extra connectors between the SRD lifeline connector and the FBH dorsal D-ring, except an approved D-ring extender. Use caution. Take action to avoid sharp and/or abrasive surfaces and edges.

5.0 Installation and Use

5.1 Install the SRD

Examine the work area for possible hazards. Take caution to avoid overhead hazards such as cranes, poles, overhead power cables, and walking/working surface hazards such as power cables, welding leads, air, and fluid hoses, including obstruction hazards such as vertical columns and stacks of materials on the lower level. Eliminate hazards where possible.

Ensure the anchorage provides the Minimum Required Fall Clearance (MRFC) in the fall path below the walking/working surface to prevent striking the lower level or an obstruction during a fall event. Take action to avoid swing falls, which occur when the anchorage is not directly above the point where the fall occurs.

Fall clearance and swing falls are subject to variable conditions. Anchor height, lateral movement, and setback distance all affect anchor location with regard to fall clearance and swing fall.

The SRD may be attached to an overhead anchor, Figure 4, i.e. above the user's FBH dorsal D-ring. The SRL-R discussed in this manual is not designed for Leading Edge applications.

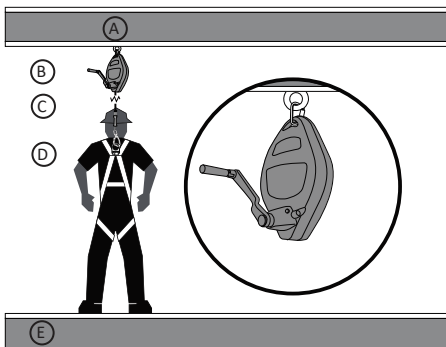


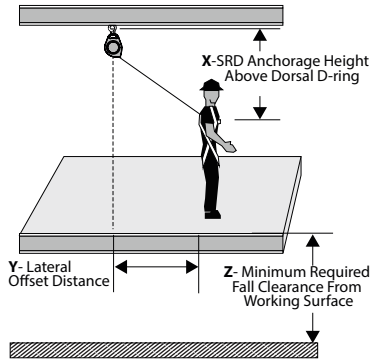
Figure 4 - SRL-R Overhead Anchorage

A	Overhead Anchorage
B	DuraTech SRL-R
C	Lifeline
D	Connection to FBH
E	Walking/Working Surface

5.2 Calculating Minimum Required Fall Clearance

5.2.1 DuraTech SRL-R in Overhead, Non-Leading Edge Anchorage Application

The SRL-R may be used as a standard SRD in an overhead condition, in which the SRD is installed anywhere in the allowable attachment area, which ranges from directly above the user to level with the FBH D-ring, as shown in Figure 5.



The overhead condition minimum required fall clearance (MRFC) is calculated using four metrics, measured from the walking-working surface: SRD Deceleration Distance, D-Ring Shift and Harness Stretch [1 ft (0.3m)], Safety Factor [1.5 ft (0.5m)], and Swing Fall. Chart 1 below is calculated using the performance data of the SRD and includes all four metrics listed previously to determine the MRFC.

Chart 1 - MRFC Overhead Anchorage

Chart 1 Overhead		Lateral Offset Distance (Y)												
		0 ft (0 m)	2 ft (0.7 m)	4 ft (1.3 m)	6 ft (1.9 m)	8 ft (2.5 m)	10 ft (3.1 m)	12 ft (3.7 m)	14 ft (4.3 m)	16 ft (4.9 m)	18 ft (5.5 m)	20 ft (6.1 m)	22 ft (6.8 m)	24 ft (7.4 m)
SRD Anchorage Height Above Dorsal D-Ring (X)	60 ft (18.3 m)	5.5 (1.7)	6.0 (1.9)	6.0 (1.9)	6.0 (1.9)	6.5 (2.0)	6.5 (2.0)	7.0 (2.2)	7.5 (2.3)	8.0 (2.5)	8.5 (2.6)	9.0 (2.7)	9.5 (2.9)	10.5 (3.2)
	55 ft (16.8 m)	5.5 (1.7)	6.0 (1.9)	6.0 (1.9)	6.0 (1.9)	6.5 (2.0)	6.5 (2.0)	7.0 (2.2)	7.5 (2.3)	8.0 (2.5)	8.5 (2.6)	9.5 (2.9)	10.0 (3.1)	11.0 (3.3)
	50 ft (15.3 m)	5.5 (1.7)	6.0 (1.9)	6.0 (1.9)	6.0 (1.9)	6.5 (2.0)	6.5 (2.0)	7.0 (2.2)	7.5 (2.3)	8.0 (2.5)	9.0 (2.8)	9.5 (2.9)	10.5 (3.2)	11.0 (3.3)
	45 ft (13.8 m)	5.5 (1.7)	6.0 (1.9)	6.0 (1.9)	6.0 (1.9)	6.5 (2.0)	7.0 (2.2)	7.5 (2.3)	8.0 (2.5)	8.5 (2.6)	9.0 (2.8)	10.0 (3.1)	11.0 (3.3)	11.5 (3.5)
	40 ft (12.2 m)	5.5 (1.7)	6.0 (1.9)	6.0 (1.9)	6.0 (1.9)	6.5 (2.0)	7.0 (2.2)	7.5 (2.3)	8.0 (2.5)	9.0 (2.7)	9.5 (2.9)	10.5 (3.2)	11.5 (3.5)	12.5 (3.6)
	35 ft (10.7 m)	5.5 (1.7)	6.0 (1.9)	6.0 (1.9)	6.5 (1.9)	6.5 (2.0)	7.0 (2.2)	7.5 (2.3)	8.5 (2.6)	9.0 (2.7)	10.0 (3.1)	11.0 (3.3)	12.0 (3.6)	13.0 (3.9)
	30 ft (9.2 m)	5.5 (1.7)	6.0 (1.9)	6.0 (1.9)	6.5 (2.0)	7.0 (2.2)	7.5 (2.3)	8.0 (2.5)	9.0 (2.7)	9.5 (2.9)	10.5 (3.2)	12.0 (3.6)	13.0 (3.9)	14.0 (4.1)
	25 ft (7.7 m)	5.5 (1.7)	6.0 (1.9)	6.0 (1.9)	6.5 (2.0)	7.0 (2.2)	7.5 (2.3)	8.5 (2.6)	9.5 (2.8)	10.5 (3.2)	11.5 (3.5)	13.0 (3.9)	14.0 (4.1)	15.5 (4.7)
	20 ft (6.1 m)	5.5 (1.7)	6.0 (1.9)	6.0 (1.9)	6.5 (2.0)	7.5 (2.3)	8.0 (2.5)	9.0 (2.7)	10.0 (3.1)	11.5 (3.5)	12.5 (3.6)	14.0 (4.1)	15.5 (4.7)	17.0 (5.1)
	15 ft (4.6 m)	5.5 (1.7)	6.0 (1.9)	6.5 (2.0)	7.0 (2.2)	7.5 (2.3)	9.0 (2.7)	10.0 (3.1)	11.5 (3.5)	12.5 (3.6)	14.0 (4.1)	15.5 (4.7)	17.5 (5.3)	19.0 (5.8)
	10 ft (3.1 m)	5.5 (1.7)	6.0 (1.9)	6.5 (2.0)	7.5 (2.3)	8.5 (2.6)	10.0 (3.1)	11.5 (3.5)	13.0 (3.9)	14.5 (4.7)	16.5 (5.0)	18.0 (5.5)	20.0 (6.0)	21.5 (6.6)
	5 ft (1.6 m)	5.5 (1.7)	6.0 (1.9)	7.0 (2.2)	8.5 (2.6)	10.0 (3.1)	12.0 (3.6)	13.5 (4.1)	15.5 (4.7)	17.5 (5.3)	19.5 (5.9)	21.5 (6.6)	23.5 (7.2)	25.5 (7.8)
	0 ft (0 m)	5.5 (1.7)	7.5 (2.3)	9.5 (2.9)	11.5 (3.5)	13.5 (4.1)	15.5 (4.7)	17.5 (5.3)	19.5 (5.9)	21.5 (6.6)	23.5 (7.2)	25.5 (7.8)	27.5 (8.4)	29.5 (9.0)

**Using Chart 1 to Calculate Minimum
Required Fall Clearance for the DuraTech 3-Way SRL-R**

2 foot (0.6 m) increments along the Y-Axis represent the Lateral Offset Distance the user is working away from being directly under the SRD

5 foot (1.5 m) increments up the X-Axis represent the SRD Anchorage Height above the user's Dorsal D-Ring

Example:

If the user needs to work 10 feet (3.1 m) away from directly under the SRD, the SRD needs to be anchored at least 15 feet (4.6 m) above the user's Dorsal D-Ring. Minimum required fall clearance is 9.5 feet (2.9 m) at maximum allowable swing fall.

Example:

If the only suitable Anchorage for the SRD is at D-Ring height [0.0 feet (0.0 m)] above the user's Dorsal D-Ring, the maximum allowable work zone is 4 feet (1.3 m) away from the SRD. Minimum required fall clearance is 10.0 feet (3.1 m) at maximum allowable swing fall.

Key to Work Zone Areas:

 = Allowable Use Area

 = Not Allowed Use Area



WORKING IN THIS AREA



MAY RESULT IN SERIOUS INJURY OR DEATH

5.3 Device Bracket Assembly and Installation

5.3.1 SRL-R Install onto a FallTech Universal Device Receiver Bracket for Tripods

Please see FallTech Tripod user instruction manuals for instructions, requirements, and compatibility when using the DuraTech SRL-R with a FallTech Tripod system.

Figure 6

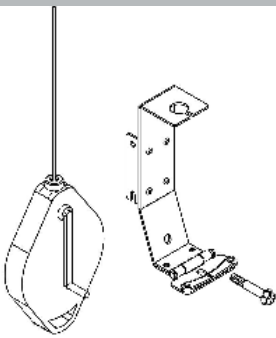
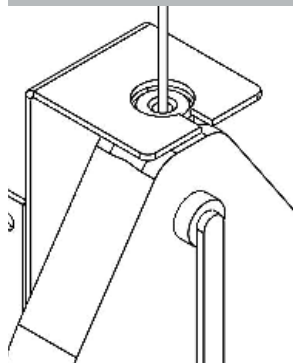


Figure 7



1. Remove the bolt and washer from the bracket and fold down the lower flap as shown in Figure 6.
2. Pass the cable of the SRL-R through the notch at the top of the bracket as shown in Figure 7.

Figure 8

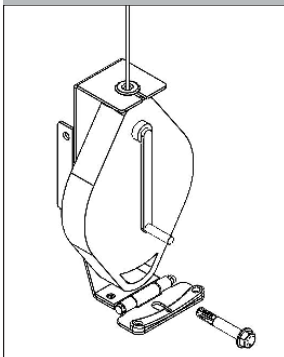
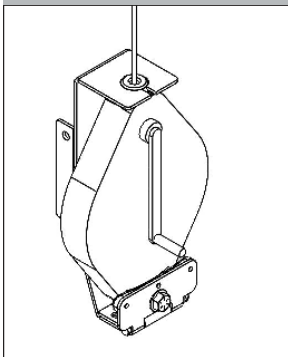


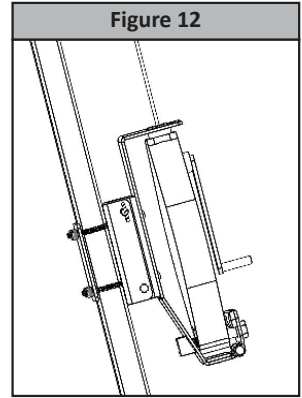
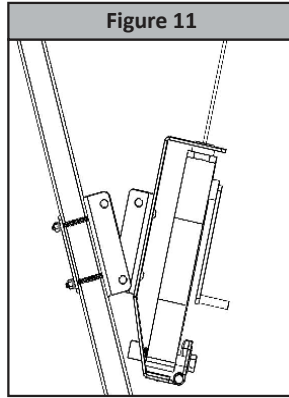
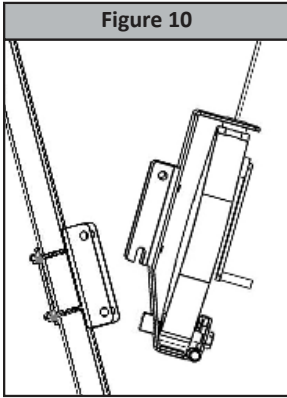
Figure 9



3. Align the SRL-R orifice with the circular opening in the bracket and insert it through the bracket as shown in Figure 8.
4. Fold the lower flap up, insert the bolt with washer ensuring it passes through the bracket flap as well as the handle area of the SRL-R as shown in Figure 9. Tighten the bolt using a 15/16" socket or wrench to 50 ft-lbs.

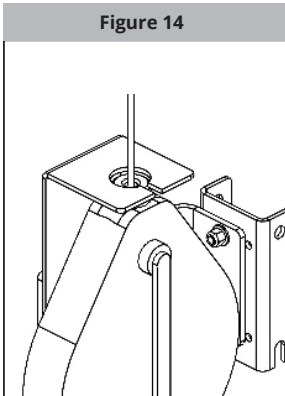
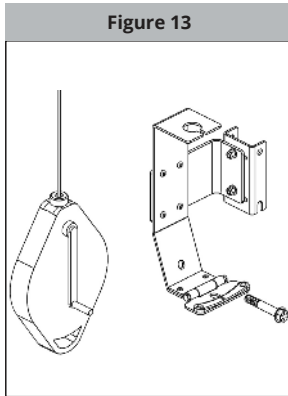
5.3.2 SRL-R Bracket Install onto Tripod Device Receiver Bracket

1. Remove the top detent pin from the FallTech Universal Device Receiver Bracket.
2. Place the notch in the SRL-R bracket over the bottom bar of the FallTech Universal Device Receiver Bracket as shown in Figure 10.
3. Rotate the SRL-R bracket to align the upper holes as shown in Figure 11.
4. Insert the provided detent pin ensuring it goes through both sides of the bracket as shown in Figure 12.

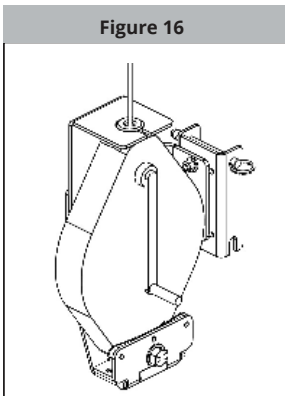
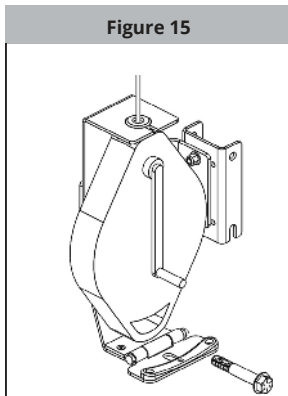


5.3.3 SRL-R Install onto a FallTech Universal Device Receiver Bracket for Davits

Please see FallTech Tripod user instruction manuals for instructions, requirements, and compatibility when using the DuraTech SRL-R with a FallTech Davit system.



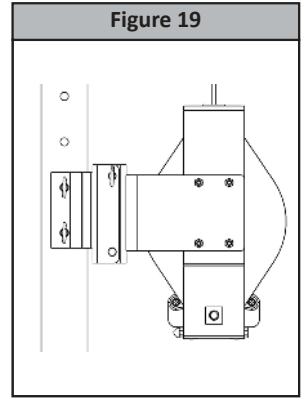
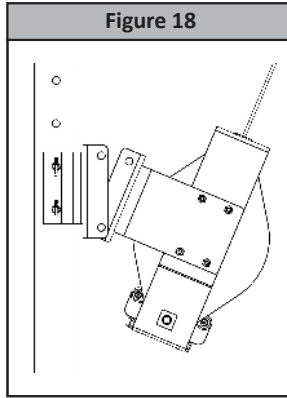
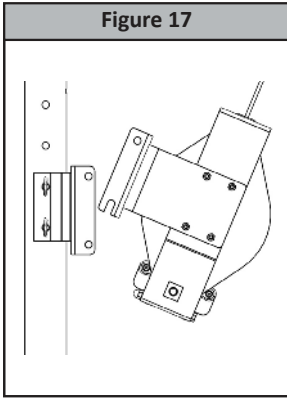
1. Remove the bolt and washer from the bracket and fold down the lower flap as shown in Figure 13.
2. Pass the cable of the SRL-R through the notch at the top of the bracket as shown in Figure 14.
3. Align the SRL-R orifice with the circular opening in the bracket and insert it through the bracket as shown in Figure 15.



4. Fold the lower flap up, insert the bolt with washer ensuring it passes through the bracket flap as well as the handle area of the SRL-R as shown in Figure 16. Tighten the bolt using a 15/16" socket or wrench to 50 ft-lbs.

5.3.4 SRL-R Bracket Install onto Tripod Device Receiver Bracket

1. Remove the top detent pin from the FallTech Universal Device Receiver Bracket.
2. Place the notch in the SRL-R bracket over the bottom bar of the FallTech Universal Device Receiver Bracket as shown in Figure 17.
3. Rotate the SRL-R bracket to align the upper holes as shown in Figure 17.
4. Insert the provided detent pin ensuring it goes through both sides of the bracket as shown in Figure 19.



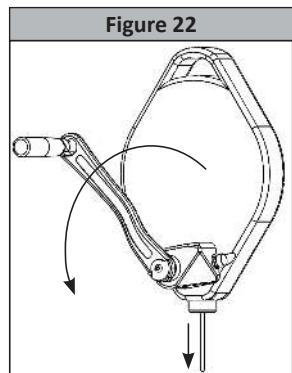
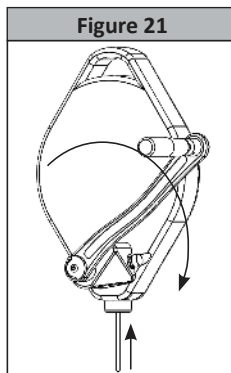
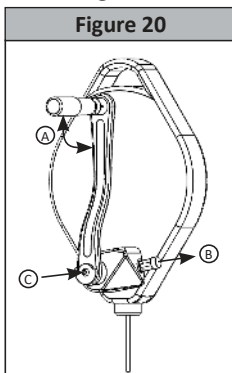
5.4 Using the DuraTech 3-Way Retrieval SRL-R



The FallTech® DuraTech 3-Way Retrieval SRL-R retrieval function discussed in this manual is only to be used in the event of an emergency and is not intended for material handling or routine personnel hoisting applications.

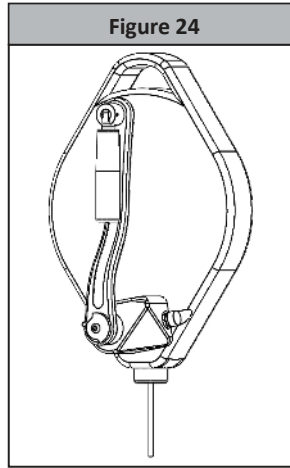
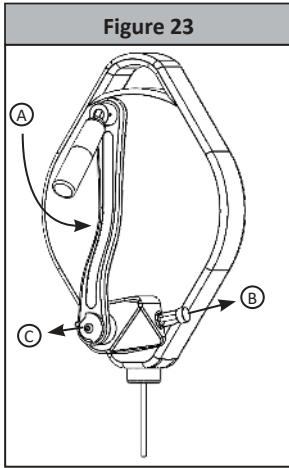
5.4.1 Rescue/Retrieval Mode

1. Unfold the black collapsible handle, see Figure 20A. The red crank handle will rotate freely in both directions while the SRL-R is in the Self-Retracting Lifeline or Fall Arrest Mode.
2. Pull the Crank Engagement Pin; see Figure 20B and simultaneously push the Hand Crank toward the SRL-R housing; see Figure 20C. It may be necessary to slightly rotate the handle to mesh the gears into position.
3. Release the Crank Engagement Pin once the gears are fully meshed to lock the handle in Rescue/Retrieval Mode. The Crank Engagement Pin should be fully retracted into the SRL-R body.
4. To raise, turn the handle in the clockwise direction if the handle is facing you with the anchor handle on top, see Figure 21. When fully loaded, a force of up to 30 lbs. will be required to operate the handle. To lower turn the handle clockwise; see Figure 22. The handle will rotate a half a turn before the load begins to lower or raise. Maintain a minimum of 15-lbs of tension in both directions on the cable at all times to prevent bird nesting of the cable onto the drum.



5.4.2 Self-Retracting Lifeline (Fall Arrest) Mode

1. Leave approximately one foot of cable extended out of the SRL-R housing. Fold the black collapsible handle by pulling the black handle out to release the handle lock mechanism; see Figure 23A.
2. Pull the Crank Engagement Pin; see Figure 23B and simultaneously pull the Hand Crank away from the SRL-R housing; see Figure 23C. The cable will retract back into the housing when the gears are disengaged.
3. Release the Crank Engagement Pin once the handle in Fall Arrest Mode. The Crank Engagement Pin should be fully retracted into the SRL-R body.



5.5 Operation of the SRL-R:

Before each use, inspect the SRL-R. See Section 7 for inspection instructions.

5.5.1 Locking Mechanism:

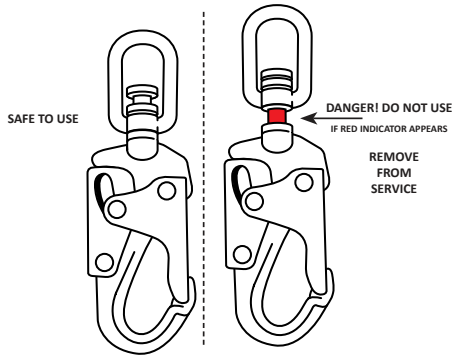
The SRD utilizes an acceleration based locking mechanism. The locking function requires a certain payout rate during a fall event to function correctly. Certain situations, confined or cramped spaces, shifting footing such as sand, gravel, grain, or a sloped surface may not allow the lifeline to reach sufficient speed to activate the lock mechanism. A clear path is required to assure positive locking of the SRD. Ensure the lock is functioning properly. Pull the lifeline out a short distance and give it a sharp tug. The lifeline must lock. If it fails to lock, remove it from service immediately. Ensure the work zone remains within stated parameters.

DO NOT attach an additional shock absorbing lanyard or similar device between the SRD housing and the anchorage.

5.5.2 Fall Arrest Impact Indicator:

The primary fall arrest impact indicator is the load-indicating Energy Absorber. The Energy Absorber will display a red band if it has been subjected to fall arrest, or equal, forces, as shown in Figure 25. If a connector shows any sign of damage, torn or ripped cover, frayed thread, burns or trauma of any kind, remove the unit from service.

Figure 25 - Inspecting SRL-R Load-Indicating Leg-End Connector



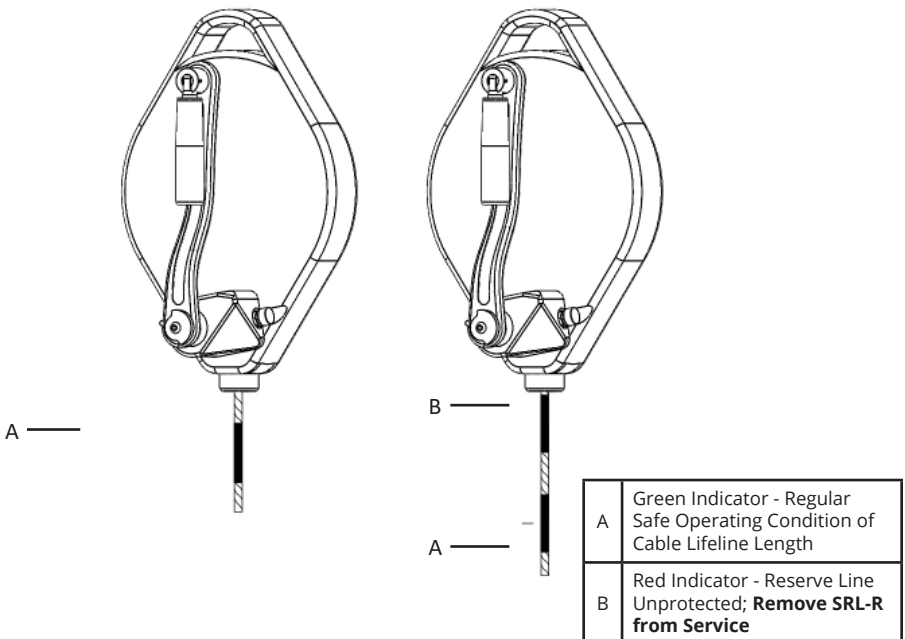
5.5.3 Lifeline Operational Limit and Reserve Indicators:

The SRD is equipped with two lifeline length indicators as shown in Figure 26; a green marker to indicate the end of the lifeline's working length, and a red marker, to indicate the reserve cable in the housing has been breached. When the SRD lifeline is extended to its operational limit, the lifeline will stop paying out. A green marker will be visible, as shown in Figure 26A. The green marker, and a small portion of the lifeline past it, may become visible due to manufacturing variables during normal use, but the user will know when the operational end is reached. Do not attempt to pull out more lifeline. Extracting additional lifeline will compromise SRD functionality, and may result in serious injury or death.

If additional lifeline is accidentally pulled from the SRD without a fall event, remove the SRD from service and contact FallTech for options.

A red band is further up the lifeline. The red band, also shown in Figure 26, indicates the reserve portion of the lifeline has been breached. The SRD is no longer safe to use. Remove the SRD from service immediately, tag it as "UNUSABLE", and contact FallTech at info@falltech.com.

Figure 26 - Inspecting SRL-R Line Indicators



5.5.4 Inspect the Lifeline:

The SRD lifeline is cable/wire rope or Technora® rope, and subject to certain hazards. Inspect the lifeline before each use for the conditions as described in Section 7.

5.6 Using the SRL-R:

Do not use the SRL-R if inspection shows damage or any malfunction. Don the FBH in accordance with the FBH manufacturer's instructions. Follow the instructions contained in this manual and on the labels. Failure to follow instructions may result in serious injury or death. Connect the leg-end connector to the dorsal D-ring on the FBH. Ensure the connector closes and locks. Ensure all connections are compatible. Normal operation will allow the working length of the lifeline to extend and retract as the worker moves about. A certain amount of tension must remain on the cable at all times to ensure proper operation of the internal brake. Do not allow the lifeline to have slack. If the lifeline does not retract, remove the SRL-R from service for inspection. See Section 7.

Avoid sudden or quick movements during the normal work operation, as this may cause the SRL-R brake to engage and possibly cause loss of balance which may result in injury or death.

If a fall occurs, the brake will engage and lock the lifeline to arrest the fall and limit arrest forces on the user.

- DO NOT extend the lifeline past the operational limit.
- DO NOT allow one SRD lifeline to become tangled or twisted with another SRD lifeline during use.
- DO NOT allow any lifeline to pass under arms or between legs during use.
- DO NOT clamp, knot, or prevent the lifeline from retracting or being taut.
- DO NOT lengthen the SRD by connecting a lifeline or similar component.
- DO NOT allow the lifeline to remain outside the housing when not in use.
- DO NOT allow the lifeline to freewheel back into the housing. Use a tag line to maintain tension and rewind the lifeline during periods of inactivity. Use the tag line to retrieve the leg end connector for the next use.
- DO NOT leave the tag line connected to the leg end connector when using the SRD for fall protection.

5.7 After A Fall:

A fall event over an edge may require special rescue equipment and measures. Ensure a written rescue plan, method and system is in place and readily available to all users for rapid response. Ensure all users are trained in rescue procedures. If a fall event occurs, remove it from service, and store it separately. Remove from service any unit that has been subjected to fall arrest forces or that exhibits damage consistent with such forces. For questions, contact FallTech.

6.0 Maintenance, Service, and Storage

6.1 Maintenance:

Ensure the SRL-R is kept free of excess paint, grease, dirt or other contaminants as this may cause to cable or retracting mechanism to malfunction. Ensure no debris enters the housing through the cable access port. Clean the exterior of the unit as required with a detergent/water solution. Avoid water other corrosion causing elements to enter the housing. After cleaning, pull the lifeline all the way out, allow the unit to air dry, then retract the lifeline into the unit. Do not allow the lifeline to freewheel back into the housing. Clean labels as required.

- DO NOT use heat to dry.
- DO NOT attempt to disassemble the SRD.

6.2 Service:

If service is required for any reason; inspection failure, impact loaded, any type of malfunction, tag the unit as "UNUSABLE", store separately, and contact FallTech at 323-752-0066 to receive a Return Authorization number or to locate the nearest FallTech Service Center. The SRL-R is not user repairable. Only the manufacturer, or a repair facility authorized in writing, may make repairs to the SRL-R. This SRL-R is designed to be used installed in an anchor cradle or attached overhead.

6.3 Storage:

Hang the SRL-R in a cool, dry, clean environment out of direct sunlight. Position the SRL-R so excess water can drain out. Avoid exposure to chemical or caustic vapors. Thoroughly inspect the SRL-R after any period of extended storage.

7.0 Inspection

7.1 Pre-Use User Inspection for Cable SRL-R:

Perform an inspection before each use in accordance with the recommendations in Table 1 below.

Table 1 - Guidelines for Cable SRL-R Inspection		
Inspection	Pass	Fail
The cable lifeline should extract and retract completely and without faltering and should remain taut under tension without sagging.		
Extract the cable lifeline several inches and apply a firm pull to confirm the SRD locks. The locking should be certain and without skidding. Repeat this lockup at additional places along the lifeline length to confirm the SRD is operating correctly.		
Examine the load indicator on the leg-end connector to be certain that it has not been loaded, impacted, or activated; see Figure 25.		
Inspect the entire length of the constituent line up to the Green Maximum Working Length Visual Indicator shown in Figure 26. Review the cable lifeline closely for broken strand wires, welding spatter burns, welding slag, bird-caging, kinks and bent strands. Also examine for rust, dirt, paint, grease or oil. Check for damage caused by chemical corrosion or excessive heat as evident with discoloration. See Figure 27 for examples. If any of these conditions exist, remove the SRD from service.		
If during your line inspection defined above, you extract the line past the Green Indicator and ultimately expose a secondary Red Indicator on the line, you must remove the SRD from service immediately. This Secondary Red Visual Indicator signals the SRD unit's Reserve Line has been deployed or the SRD has experienced a fall event and is no longer in working order. See Figure 26.		
Check the mode changing function by placing the SRL-R into Retrieval/Rescue mode and back to Fall Arrest mode to ensure proper operation.		
Check for any missing or loose screws or nuts and any deformed or damaged components.		
Examine the external housing for cracks, breaks, or warping.		
Check the external Connector Eye and the Anchorage Carabiner for damage and deformation. The Anchorage Carabiner Gate should twist open and snap shut easily and smoothly.		
Examine the overall SRD unit for any indications of deterioration or damage.		
All labels must be intact and totally legible (see Section 8).		

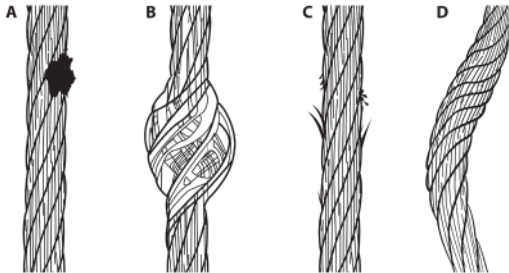


Figure 27: Inspection of Cable

Extract all of the cable and check the entire working length for damage caused by chemical corrosion or excessive heat as evident by discoloration (A), bird caging (B), broken wire strands (C), kinks and bent strands (D), see Figure 27. The cable should retract completely without faltering and should remain taut under tension without sagging.

7.2 Pre-Use User Inspection for Technora Rope SRL-R:

Perform an inspection before each use in accordance with the recommendations in Table 2 below.

Table 2 - Guidelines for Technora Rope SRL-R Inspection		
Inspection	Pass	Fail
The rope lifeline should extract and retract completely and without faltering and should remain taut under tension without sagging.		
Extract the rope lifeline several inches and apply a firm pull to confirm the SRD locks. The locking should be certain and without skidding. Repeat this lockup at additional places along the lifeline length to confirm the SRD is operating correctly.		
Examine the load indicator on the leg-end connector to be certain that it has not been loaded, impacted, or activated; see Figure 25.		
<p>Inspect the entire length of the constituent line up to the Green Maximum Working Length Visual Indicator shown in Figure 26. Review the rope lifeline closely for broken strands, welding spatter burns, welding slag, abrasion damage, glazing, changes in or variable rope diameter, discoloration, changes in flexibility, kinking, or hockling. Also examine for rust, dirt, paint, grease or oil. Check for damage caused by chemical corruption or excessive heat as evident with discoloration. See Figure 27 for examples. If any of these conditions exist, remove the SRD from service.</p> <ul style="list-style-type: none"> • Abrasion: Rupture or fraying of fibers due to wear and/or due to motion against other fibers, rope components, or a contact surface. • Glazing: A fusing or melting of the fibers that gives a hard glassy surface due to overheating or excessive friction over a surface or the rope itself. • Diameter Integrity: An increase or decrease in rope diameter due to excessive abrasion, glazing, foreign objects in the core, or reduction in core size due to broken fibers. • Discoloration: Fading, streaking, or staining due to chemical, UV, environment, or other outside agents that may cause a reduction of strength of the rope. • Flexibility: A loss in the ability to bend for the type and construction of the rope, hard or soft spots. • Core Fiber Exposure: The core from the center of the rope may work itself through the cover and may cause a loss of strength and the ability of the rope to function over a sheave. • Kinking or Hockling: A short twist, curl, or bend in one or more of the yard or rope strands, will cause a reduction in rope strength. It may be possible to work the kink out, but if the strand is still distorted the strength reduction will occur. 		
If during your line inspection defined above, you extract the line past the Green Indicator and ultimately expose a Secondary Red Indicator on the line, you must remove the SRD from service immediately. This Secondary Red Visual Indicator signals the SRD unit's Reserve Line has been deployed or the SRD has experienced a fall event and is no longer in working order. See Figure 26.		
Check the mode changing function by placing the SRL-R into Retrieval/Rescue mode and back to Fall Arrest mode to ensure proper operation.		
Check for any missing or loose screws or nuts and any deformed or damaged components.		
Examine the external housing for cracks, breaks, or warping.		
Check the external Connector Eye and the Anchorage Carabiner for damage and deformation. The Anchorage Carabiner Gate should twist open and snap shut easily and smoothly.		
Examine the overall SRD unit for any indications of deterioration or damage.		
All labels must be intact and totally legible (see Section 8).		

 **WARNING**

Fiber rope will fail if worn, damaged, abused, overloaded, or not properly maintained. Rope failure can cause serious injury or death if you do not read and understand all manufacturer's instructions before use.

7.2 Inspection Frequency:

Inspection by a competent person at regular intervals is required. The competent person will use the information in Table 2: SRD Inspection Recommendations, to determine the inspection frequency. Use Table 3 to determine the inspection frequency. Inspection by a factory authorized inspection entity at regular intervals is also required.

Table 3 - SRD Inspection Frequency Recommendations			
Type of Use	Application Examples	Conditions of Use	Inspection Frequency Competent Person
Infrequent to Light Use	Rescue and Confined Space, Factory Maintenance	Good Storage Conditions, Indoor or Infrequent Outdoor use, Room Temperature, Clean Environments	Annually
Moderate to Heavy Use	Transportation, Residential Construction, Utilities, Warehouse	Fair Storage Conditions, Indoor and extended outdoor use, All temperatures, Clean or dusty environments	Semi-annually to Annually
Severe to Continuous Use	Commercial Construction, Oil and Gas, Mining	Harsh Storage Conditions, Prolonged or Continuous outdoor Use, all temperatures, Dirty environments	Quarterly to Semi-annually

7.3 Inspection Checklist:

Use Table 1 or Table 2 in Section 7 to inspect the SRL-R.

7.4 Inspection Results:

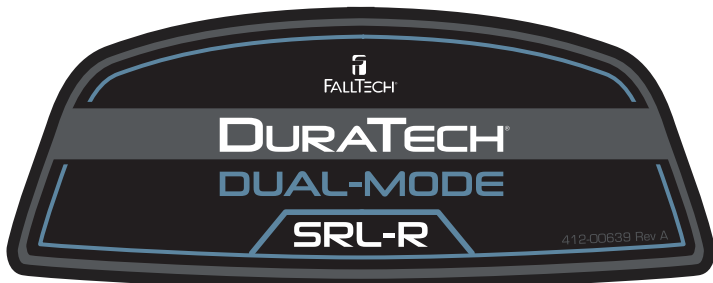
If an inspection reveals defects in or damage to the equipment, inadequate maintenance or activated fall indicators, remove the equipment from service.

7.5 Inspection Document:

Record inspection results on the Inspection Record provided below or on a similar document.

8.0 Labels

Product labels must be present and legible.



OSHA 1926.502 OSHA 1910.140

WARNING Read and follow instructions supplied with the product at time of shipment. Inspect the visual indicator. Do not attach in a manner that could side-load the gate. Remove the unit from service immediately if it is subjected to fall arrest or equivalent forces.

INSPECTION Inspect the unit before each use. Ensure locking system functions correctly by pulling sharply on the lifeline. The lifeline must lock. Ensure connecting hardware functions normally. See user instructional manual for information regarding lifeline operational length and end of lifeline reserve.

WARNING See instruction manual for important information regarding fall clearance requirements and swing fall. This unit is not suitable for horizontal use nor for horizontal lifeline applications. This unit is for use with an overhead anchorage only. Avoid contact with sharp edges and abrasive surfaces. Read and understand the manufacturer's user instruction manual, including labels and warnings, before using this product. See manufacturer's user instruction manual for complete inspection procedures.

INSTALLATION Inspect before each use. Refer to instruction manual for proper installation and use. Capacity: 130lbs to 310lbs, include tools, clothing, etc.

Dual-Mode SRL-R Unit Rescue/Retrieval Operation Instructions

- 1) Unfold black collapsible handle. Red hand crank assembly should now rotate freely in both directions while in the self-retracting "Fall Arrest" mode. (Red hand crank assembly will be extended out from the SRL-R unit body)
- 2) To convert SRL-R to "Rescue/Retrieval" mode, pull out knurled crank engagement pin while depressing red hand crank assembly into unit.
- 3) Release crank engagement pin while keeping pressure on red hand crank assembly.
- 4) Rotate hand crank assembly clockwise to engage rescue/retrieval mechanism; crank engagement pin should be fully retracted into the SRL-R body.
- 5) To raise personnel, rotate handle clockwise. To lower personnel, rotate handle counter-clockwise. To convert SRL-R to "Fall Arrest" mode, pull out crank engagement pin while pulling the red hand crank assembly away from the SRL-R body, then release knob.

Arrest distance less than 54" Avg. arrest force less than 900lbs.	3/16" Cable: <input type="checkbox"/> Stainless Steel <input type="checkbox"/> Galvanized Steel	Length: 80ft Max Free Fall: 2'
--	---	-----------------------------------

LOWER **RAISE**

Part # / DOM:
 Serial #

40mm x 10mm CUTOUT WINDOW

DO NOT REMOVE LABEL

412-06438 Rev A

DANGER! DO NOT USE IF RED LOAD INDICATOR APPEARS

SAFE TO USE

OSHA 1926.502 OSHA 1910.140

WARNING Read and follow instructions supplied with the product at time of shipment. Inspect the visual indicator. Do not attach in a manner that could side-load the gate. Remove the unit from service immediately if it is subjected to fall arrest or equivalent forces.

INSPECTION Inspect the unit before each use. Ensure locking system functions correctly by pulling sharply on the lifeline. The lifeline must lock. Ensure connecting hardware functions normally. See user instructional manual for information regarding lifeline operational length and end of lifeline reserve.

WARNING See instruction manual for important information regarding fall clearance requirements and swing fall. This unit is not suitable for horizontal use nor for horizontal lifeline applications. This unit is for use with an overhead anchorage only. Avoid contact with sharp edges and abrasive surfaces. Read and understand the manufacturer's user instruction manual, including labels and warnings, before using this product. See manufacturer's user instruction manual for complete inspection procedures.

INSTALLATION Inspect before each use. Refer to instruction manual for proper installation and use. Capacity: 130lbs to 310lbs, include tools, clothing, etc.

Dual-Mode SRL-R Unit Rescue/Retrieval Operation Instructions

- 1) Unfold black collapsible handle. Red hand crank assembly should now rotate freely in both directions while in the self-retracting "Fall Arrest" mode. (Red hand crank assembly will be extended out from the SRL-R unit body)
- 2) To convert SRL-R to "Rescue/Retrieval" mode, pull out knurled crank engagement pin while depressing red hand crank assembly into unit.
- 3) Release crank engagement pin while keeping pressure on red hand crank assembly.
- 4) Rotate hand crank assembly clockwise to engage rescue/retrieval mechanism; crank engagement pin should be fully retracted into the SRL-R body.
- 5) To raise personnel, rotate handle clockwise. To lower personnel, rotate handle counter-clockwise. To convert SRL-R to "Fall Arrest" mode, pull out crank engagement pin while pulling the red hand crank assembly away from the SRL-R body, then release knob.

Arrest distance less than 54" Avg. arrest force less than 900lbs.	1/4" Technora Rope	Length: 45ft Max Free Fall: 2'
--	--------------------	-----------------------------------

LOWER **RAISE**

Part # / DOM:
 Serial #

40mm x 10mm CUTOUT WINDOW

DO NOT REMOVE LABEL

412-06439 REV A

DANGER! DO NOT USE IF RED LOAD INDICATOR APPEARS

SAFE TO USE

9.0 Definitions

The following are general definitions of fall protection terms as defined by ANSI Z359.0-2012.

Anchorage: A secure connecting point or a terminating component of a fall protection system or rescue system capable of safely supporting the impact forces applied by a fall protection system or anchorage subsystem.

Anchorage Connector: A component or subsystem that functions as an interface between the anchorage and a fall protection, work positioning, rope access or rescue system for the purpose of coupling the system to the anchorage.

Arrest Distance: The total vertical distance required to arrest a fall. The arrest distance includes the deceleration distance and activation distance.

Authorized Person: A person assigned by the employer to perform duties at a location where the person will be exposed to a fall hazard.

Available Clearance: The distance from a reference point, such as the working platform, to the nearest obstruction that an authorized person might contact during a fall which, if struck, could cause injury.

Capacity: The maximum weight that a component, system or subsystem is designed to hold.

Certification: The act of attesting in writing that the criteria established by these standards or some other designated standard have been met.

Certified Anchorage: An anchorage for fall arrest, positioning, restraint or rescue systems that a qualified person certifies to be capable of supporting the potential fall forces that could be encountered during a fall.

Clearance: The distance from a specified reference point, such as the working platform or anchorage of a fall arrest system, to the lower level that a worker might encounter during a fall.

Clearance Requirement: The distance below an authorized person that must remain clear of obstructions in order to ensure that the authorized person does not make contact with any objects that would cause injury in the event of a fall.

Competent Person: An individual designated by the employer to be responsible for the immediate supervision, implementation and monitoring of the employer's managed fall protection program who, through training and knowledge, is capable of identifying, evaluating and addressing existing and potential fall hazards, and who has the employer's authority to take prompt corrective action with regard to such hazards.

Component: An element or integral assembly of interconnected elements intended to perform one function in the system.

Connecting Subsystem: An assembly, including the necessary connectors, comprised of all components, subsystems, or both, between the anchorage or anchorage connector and the harness attachment point.

Connector: A component or element that is used to couple parts of the system together.

Deceleration Distance: The vertical distance between the user's fall arrest attachment at the onset of fall arrest forces during a fall, and after the fall arrest attachment comes to a complete stop.

Energy (Shock) Absorber: A component whose primary function is to dissipate energy and limit deceleration forces which the system imposes on the body during fall arrest.

Fall Arrest: The action or event of stopping a free fall or the instant where the downward free fall has been stopped.

Fall Hazard: Any location where a person is exposed to a potential free fall.

Free Fall: The act of falling before a fall protection system begins to apply forces to arrest the fall.

Free Fall Distance: The vertical distance traveled during a fall, measured from the onset of a fall from a walking working surface to the point at which the fall protection system begins to arrest the fall.

Harness, Full Body: A body support designed to contain the torso and distribute the fall arrest forces over at least the upper thighs, pelvis, chest and shoulders.

Horizontal Lifeline: A component of a horizontal lifeline subsystem, consisting of a flexible line with connectors or other coupling means at both ends for securing it horizontally between two anchorages or anchorage connectors.

Horizontal Lifeline Subsystem: An assembly, including the necessary connectors, comprised of a horizontal lifeline component and, optionally, of: a) An energy absorbing component or, b) A lifeline tensioner component, or both. This subsystem is normally attached at each end to an anchorage or anchorage connector. The end anchorages have the same elevation.

Lanyard: A component consisting of a flexible rope, wire rope or strap, which typically has a connector at each end for connecting to the body support and to a fall arrester, energy absorber, anchorage connector or anchorage.

Lanyard Connecting Subsystem: An assembly, including the necessary connectors, comprised of a lanyard only, or a lanyard and energy absorber.

Personal Fall Arrest System (PFAS): An assembly of components and subsystems used to arrest a person in a free fall.

Positioning: The act of supporting the body with a positioning system for the purpose of working with hands free.

Positioning Lanyard: A lanyard used to transfer forces from a body support to an anchorage or anchorage connector in a positioning system.

Qualified Person: A person with a recognized degree or professional certificate and with extensive knowledge, training and experience in the fall protection and rescue field who is capable of designing, analyzing, evaluating and specifying fall protection and rescue systems.

Self-Retracting Device (SRD): A device that contains a drum wound line that automatically locks at the onset of a fall to arrest the user, but that pays out from and automatically retracts onto the drum during normal movement of the person to whom the line is attached.

Snap Hook: A connector comprised of a hook-shaped body with a normally closed gate or similar arrangement that may be opened to permit the hook to receive an object and, when released, automatically closes to retain the object.

Swing Fall: A pendulum-like motion that occurs during and/or after a vertical fall. A swing fall results when an authorized person begins a fall from a position that is located horizontally away from a fixed anchorage.

APPENDIX A

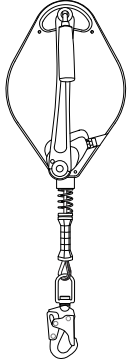
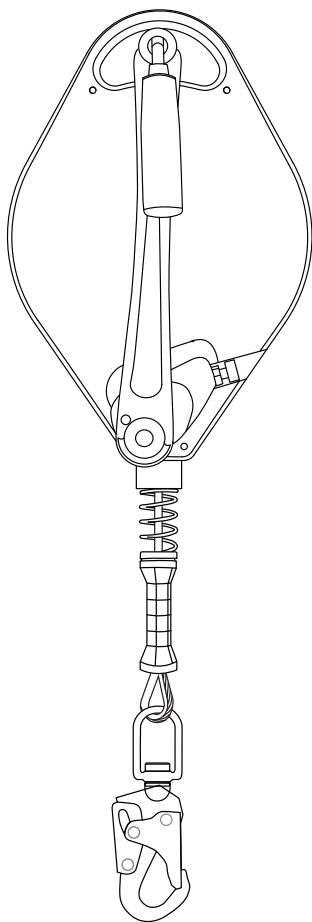
Table 1A: Specifications for DuraTech SRL-R					
Model #	Lifeline Material	Working Length, Weight, and Housing Size	Materials and Specifications	Capacity and Standards	SRL-R
7281 7281DG	3/16" Diameter 7X19 Galvanized Steel Cable	60 ft	Housing: Cast Aluminum Alloy Leg-End Connector: 5,000 lbs (22.2 kN) with 3,600 lbs (16 kN) Gate Strength	Single User Capacity: 130 to 310 lbs. (59 to 141 kg) OSHA 1926.502 OSHA 1910.140	
7281S 7281SS 7281DS	3/16" Diameter 7X19 Stainless Steel Cable	28 lbs 15" X 10"			
7281DT 7281TT	1/4" Diameter 12-Strand Single Braid Technora® Rope	45 ft 28 lbs 15" X 10"			

Table 1B: FallTech DuraTech SRL-R OSHA Performance Attributes					
Part #s and Conditions		Typical FallTech Performance		OSHA Performance Requirements	
Part #	Anchorage Condition	Arrest Distance	Maximum Arrest Force	Maximum Arrest Distance	Maximum Arrest Force
7281 7281DG 7281S 7281SS 7281DS	Overhead Non-Leading Edge	25"	1,777 lbf	42"	1,800 lbs
7281DT 7281TT		32"	1,542 lbf		



Manual de instrucciones para el usuario

Cuerda de Salvamento Autorretráctil-R DuraTech™ de Recuperación de 3 Formas



Este manual tiene el propósito de cumplir con las instrucciones del fabricante según lo exige el Instituto Nacional de Normalización Estadounidense (ANSI) Z359 y debe usarse como parte de un programa de capacitación para empleados según lo exige la Administración de Seguridad y Salud Ocupacional (OSHA).

FallTech © 2024

1306 South Alameda Street Compton, CA 90221, EE. UU.

1-800-719-4619 • 1-323-752-0066

www.falltech.com

ÍNDICE

1.0 Advertencias y otros datos importantes	25
2.0 Descripción.....	26
3.0 Aplicación.....	27
4.0 Requisitos del sistema	28
5.0 Instalación y uso	30
6.0 Mantenimiento, servicio y almacenamiento	38
7.0 Inspección.....	38
8.0 Etiquetas	43
9.0 Definiciones.....	44

A los efectos de este manual, la Cuerda de Salvamento Autorretráctil-R FallTech® DuraTech de Recuperación de 3 Formas en todas las iteraciones puede denominarse colectivamente DuraTech, la SRL-R DuraTech, la SRL-R, la SRL, 3 formas, el dispositivo autorretráctil (SRD, por sus siglas en inglés), la cuerda de salvamento autorretráctil (SRL, por sus siglas en inglés), el equipo, el dispositivo, el producto o la unidad.

A lo largo de este manual, se utilizan palabras, frases y términos de protección contra caídas de ANSI Z359.0-2012. Todos estos términos se definen formalmente en la Sección 9 de este manual.

Cualquier traducción que no sea en inglés de este manual de instrucciones para el usuario es solo como referencia.

1.0 Advertencias y otros datos importantes

ADVERTENCIA

- Evite los peligros de maquinaria, térmicos, eléctricos y/o químicos, ya que el contacto puede causar lesiones graves o la muerte.
- Evite las caídas con balanceo.
- Tenga en cuenta las restricciones relacionadas con el peso y las recomendaciones que se dan en este manual.
- Retire del servicio cualquier equipo que se vea sometido a fuerzas de detención de caídas.
- Retire del servicio cualquier equipo que no apruebe los procesos de revisión.
- No modifique o utilice intencionalmente de manera equivocada este equipo.
- Consulte con FallTech cuando pretenda utilizar este equipo en combinación con elementos o subsistemas diferentes a los descritos en este manual.
- No conecte al anillo en "D" dorsal del FBH ganchos de barras de refuerzo, mosquetones grandes o ganchos de presión grandes, ya que esto puede provocar un lanzamiento y/o desenganche involuntario.
- Evite superficies y bordes cortantes y/o abrasivos.
- Sea cuidadoso cuando realice soldadura por arco. Los destellos de arco que pueden producirse en las operaciones de soldadura por arco, incluyendo arcos eléctricos accidentales que se produzcan en el equipo de soldadura, pueden dañar éste y son potencialmente mortales.
- Revise el área de trabajo. Esté pendiente de las condiciones del entorno y de los riesgos laborales que puedan afectar la seguridad, el nivel de protección y el funcionamiento, de los sistemas y elementos integrantes de prevención de caídas.
- Los peligros pueden incluir entre otros, riesgos de tropiezo debido a cables sueltos o desperdicios regados en el piso, fallas del equipo, descuidos del personal, y desplazamiento de equipos tales como carretas, carretillas montacargas, grúas o plataformas rodantes. No permita que ningún material, herramienta o equipo en tránsito, entre en contacto con parte alguna del sistema de detención de caídas.
- No trabaje por debajo de cargas suspendidas.

IMPORTANTE

Este producto es parte de un sistema personal de detención de caídas, restricción, posicionamiento del trabajo, suspensión o rescate. Un sistema personal de detención de caídas (PFAS) generalmente se compone de un anclaje y un arnés de cuerpo completo (FBH), con un dispositivo de conexión, es decir, una cuerda que absorbe energía (EAL) o un dispositivo autorretráctil (SRD), conectado a el anillo D dorsal del FBH.

Estas instrucciones se deben entregar al trabajador junto con este equipo. El trabajador debe leer y comprender las instrucciones que el fabricante da para cada componente o pieza del sistema completo. Las instrucciones del fabricante deben ser tenidas en cuenta para dar el uso, cuidado y mantenimiento correctos, de este producto. Estas instrucciones deben conservarse y tenerse en todo momento a disposición del trabajador para su referencia. Las modificaciones o el mal uso de este producto, o el desconocimiento de las instrucciones, pueden ocasionar lesiones graves o incluso la muerte.

Un Plan de Protección Contra Caídas debe estar disponible en el archivo para su revisión por parte de todos los trabajadores. Tanto el trabajador como el comprador de este equipo son responsables de garantizar que las personas que lo utilicen estén debidamente capacitadas para su uso, mantenimiento y almacenamiento. La capacitación debe repetirse periódicamente. La capacitación no debe someter a la persona que la toma a situaciones que impliquen peligro de caída.

Consulte a un médico si hay razones para dudar de su aptitud para absorber con seguridad el impacto de un evento de caída. La edad y el estado físico afectan gravemente a la capacidad de los trabajadores para soportar caídas. Las mujeres embarazadas y los menores de edad no deben utilizar este equipo.

El estándar ANSI limita a un máximo de 310 libras, el peso de los usuarios del equipo de protección contra caídas. Los usuarios pesados tienen mayor riesgo de sufrir lesiones graves o la muerte a consecuencia de caídas, debido al aumento de las fuerzas de detención del desplome que actúan sobre el cuerpo del usuario. Además, inclusive la gravedad del trauma debido a la suspensión después de una caída, puede ser avivada en el caso de usuarios pesados.

El usuario del equipo que se describe en este manual debe leer y comprender el manual completo antes de empezar a trabajar con él.

NOTA: Para obtener más información, consulte los estándares ANSI Z359.

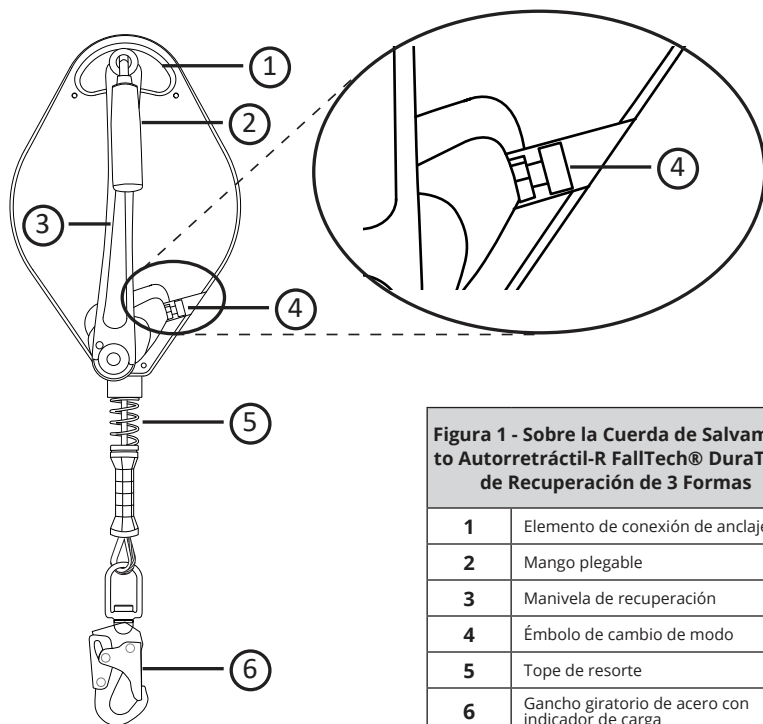
2.0 Descripción

La Cuerda de Salvamento Autorretráctil-R FallTech® DuraTech de Recuperación de 3 Formas es una cuerda de salvamento autorretráctil con capacidad de rescate integral. Las SRL-R DuraTech descritas en este manual tienen una manivela integral para subir o bajar a una víctima de caída a un nivel seguro. Las SRL-R DuraTech se pueden fijar a un anclaje elevado o a Sistemas de Grúa o Trípode FallTech® con el soporte de montaje incluido.

Este producto no es adecuado para aplicaciones con exposición a bordes salientes donde la cuerda de salvamento de este dispositivo puede entrar en contacto con un borde durante una caída. Comuníquese con FallTech para obtener más información o si tiene preguntas sobre la selección de productos.

Este manual contiene un Apéndice que contiene figuras y tablas específicas de la Cuerda de Salvamento Autorretráctil-R que se analiza en este manual.

La Figura 1 a continuación muestra los componentes de la Cuerda de Salvamento Autorretráctil-R DuraTech a los que se puede hacer referencia en este manual de instrucciones del usuario. Consulte la Tabla 1A en el Apéndice A para conocer las especificaciones de productos y materiales.



2.1 Administración de Salud y Seguridad Ocupacional (OSHA, por sus siglas en inglés):

El SRD analizado en este manual cumple con las regulaciones 1926.502 y 1910.140 de la Administración de Salud y Seguridad Ocupacional (OSHA, por sus siglas en inglés). El rendimiento dinámico significa que el SRD está instalado en una torre de prueba. Se fija un peso de prueba al SRD y luego se deja caer. Se registran los resultados de las pruebas.

Los parámetros registrados son:

- Distancia de detención (AD)
- Fuerza de detención promedio (AAF)
- Fuerza de detención máxima (MAF)

La distancia de detención es la distancia vertical total requerida para detener una caída. La distancia de detención incluye la distancia de desaceleración y la distancia de activación. La fuerza de detención promedio es el promedio de las fuerzas aplicadas al cuerpo y al anclaje por el sistema de protección contra caídas. La fuerza máxima de detención es la cantidad máxima de fuerza que el sistema de protección contra caídas puede aplicar al cuerpo y al anclaje. Además de las pruebas anteriores realizadas en condiciones ambientales, las unidades deben volver a probarse para determinar las fuerzas medias y máximas bajo ciertas condiciones ambientales, donde las unidades se enfrían, luego se prueban, se calienta, luego se prueban o se saturan en agua y se vuelven a probar. Se utilizan unidades separadas para cada prueba. Todos los resultados de la prueba se registran. Estos datos de prueba se utilizan luego para establecer la base de las pautas para la distancia de detención de caídas publicadas en el manual de instrucciones del usuario.

Consulte la Sección 5 de este manual de instrucciones del usuario para saber cómo calcular su distancia despejada mínima requerida en una caída (MRFCA, por sus siglas en inglés). La Tabla 1B proporciona los resultados de rendimiento de las pruebas para el SRD analizado en este manual.

3.0 Aplicación

3.1 Propósito:

La Cuerda de Salvamento Autorretráctil-R FallTech® DuraTech de Recuperación de 3 Formas está diseñada para usarse como componente en un sistema personal de detención de caídas (PFAS, por sus siglas en inglés), para proporcionar una combinación de movilidad del trabajador y protección contra caídas, según sea necesario, para trabajos de inspección, construcción general, trabajos de mantenimiento, producción de petróleo, trabajos en espacios confinados, etc. La cuerda de salvamento autorretráctil-R descrita en este manual tiene capacidad de rescate en caso de caída. Al cambiar el modo de la unidad, la víctima de caída puede ser elevada o bajada a un lugar seguro.

3.2 Sistema personal de detención de caídas:

Un PFAS es un conjunto de componentes y subsistemas que se utilizan para detener a una persona durante una caída. Un PFAS generalmente consta de un anclaje, un dispositivo de desaceleración como una cuerda de salvamento con absorción de impactos (SAL, por sus siglas en inglés), un dispositivo autorretráctil (SRD, por sus siglas en inglés) o un subsistema de conexión para detención de caídas (FACSS, por sus siglas en inglés) y un arnés de cuerpo completo (FBH, por sus siglas en inglés) debidamente ajustado. La caída libre máxima permitida en un PFAS típico es de 6' (1.8 m).

3.3 Límites de aplicación:

La Cuerda de Salvamento Autorretráctil-R FallTech® DuraTech de Recuperación de 3 Formas es un dispositivo de desaceleración con capacidad de rescate integral. Se debe tener cuidado de comprender la capacidad del sistema, los requisitos de resistencia del anclaje, la caída libre total permitida y los requisitos sobre cómo se implementa el PFAS del usuario durante un evento de caída. Cuanto más larga sea la caída libre, mayor será la energía en el sistema y dará como resultado requisitos de distancia despejada y fuerzas de impacto más importantes en el cuerpo. Tome medidas para evitar bordes afilados, superficies abrasivas y riesgos térmicos, eléctricos y químicos.

Nota: la Cuerda de Salvamento Autorretráctil-R FallTech® DuraTech de Recuperación de 3 Formas que se analiza en este manual no está diseñada para aplicaciones de manipulación de materiales.

3.4 Aplicaciones aprobadas:

A continuación, se detallan las aplicaciones para las cuales todas las Cuerdas de Salvamento Autorretráctil-R FallTech® DuraTech de Recuperación de 3 Formas son específicamente adecuadas. Esta lista no es exhaustiva, pero pretende anticipar las aplicaciones más comunes en las que se puede utilizar este producto.

3.4.1 Detención de caídas personal:

La Cuerda de Salvamento Autorretráctil-R FallTech® DuraTech de Recuperación de 3 Formas se utiliza como componente del dispositivo de desaceleración para un PFAS para proteger al usuario en caso de una caída. Los PFAS normalmente consisten en un anclaje, un arnés de cuerpo completo (FBH, por sus siglas en inglés) y un dispositivo de desaceleración como una cuerda de absorción de energía (EAL, por sus siglas en inglés) o un dispositivo autorretráctil (SRD, por sus siglas en inglés).

3.4.2 Rescate:

La FallTech® DuraTech de 3 Formas se puede utilizar para rescate después de una caída. Asegúrese de que exista un plan, método y sistema de rescate por escrito y que esté disponible para una respuesta rápida. Los rescates pueden requerir equipos o medidas especializadas. Las operaciones de rescate están fuera del alcance de este manual. Consulte ANSI Z359.4 y Z359.2.

4.0 Requisitos del sistema

4.1 Capacidad:

La Cuerda de Salvamento Autorretráctil-R DuraTech está diseñada para ser utilizada por un usuario con un peso combinado de usuario, herramientas, ropa, etc. de 130 libras a 310 libras (59 kg a 141 kg).

4.2 Compatibilidad de conectores:

Se considera que los conectores son compatibles con los elementos de conexión cuando se han diseñado para trabajar juntos de tal manera que sus tamaños y formas no provoquen que sus mecanismos de compuerta se abran inadvertidamente, independientemente de cómo se orienten. Póngase en contacto con FallTech si tiene alguna pregunta sobre la compatibilidad. Los conectores deben ser compatibles con el anclaje u otros componentes del sistema. No utilice equipos que no sean compatibles. Los conectores no compatibles pueden desconectarse accidentalmente. Los conectores deben ser compatibles en tamaño, forma y resistencia. Los conectores de cierre y bloqueo automático son requeridos por ANSI y OSHA.

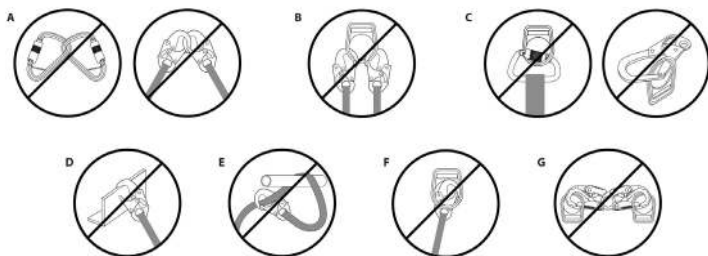


Figura 3 - Conexiones no compatibles

A	Nunca conecte dos componentes activos (ganchos de seguridad o mosquetones) entre sí.
B	Nunca conecte dos componentes activos (ganchos de seguridad o mosquetones) a un solo anillo en D al mismo tiempo.
C	Nunca conecte de una manera que produzca una condición de carga en la puerta.
D	Nunca se adhiera a un objeto de manera que se impida que la compuerta (del gancho de seguridad o el mosquetón) se cierre y bloquee completamente. Siempre protéjase contra conexiones falsas inspeccionando visualmente el cierre y la cerradura.
E	Nunca lo conecte explícitamente a un subcomponente constituyente (correa, cable o cuerda) a menos que las instrucciones del fabricante lo proporcionen específicamente para ambos subcomponentes (gancho de seguridad o mosquetón y correa, cable o cuerda).
F	Nunca lo conecte de manera que un elemento del conector (compuerta o palanca de liberación) pueda quedar atrapado en el anclaje, lo que puede generar un riesgo adicional de acoplamiento falso.
G	Nunca coloque un gancho de seguridad en los dos anillos en D laterales o de posición de manera que los anillos en D encajen en las compuertas; las puertas de un esparcidor siempre deben estar alejadas de los anillos en D durante el posicionamiento de trabajo.

4.3 Compatibilidad de componentes:

El equipo está diseñado para usarse únicamente con componentes y subsistemas aprobados. Las sustituciones o reemplazos realizados con componentes o subsistemas no aprobados pueden poner en peligro la compatibilidad del equipo y afectar la seguridad y confiabilidad del sistema completo.

4.4 Realizar conexiones:

Utilice únicamente conectores de bloqueo automático con este equipo. Utilice únicamente conectores que sean adecuados para cada aplicación. Asegúrese de que todas las conexiones sean compatibles en tamaño, forma y resistencia. No utilice equipos que no sean compatibles, consulte la Figura 3. Asegúrese visualmente de que todos los conectores estén completamente cerrados y bloqueados. Los conectores están diseñados para usarse únicamente como se especifica en las instrucciones de usuario de cada producto.

4.5 Sistema personal de detención de caídas:

Un sistema personal de detención de caídas (PFAS, por sus siglas en inglés) es un conjunto de componentes y subsistemas que se utilizan para detener a una persona durante una caída. Un PFAS generalmente se compone de un anclaje y un arnés de cuerpo completo (FBH, por sus siglas en inglés), con un dispositivo de conexión para absorción de energía, es decir, una cuerda de salvamento con absorción de impactos (SAL, por sus siglas en inglés), un dispositivo autorretráctil (SRD, por sus siglas en inglés) o un subsistema de conexión de detención de caídas (FACSS, por sus siglas en inglés), conectado al anillo en D dorsal del FBH. Los componentes del PFAS utilizados junto con este SRD deben cumplir con los requisitos ANSI Z359 y las regulaciones OSHA aplicables.

4.6 Resistencia del anclaje del PFAS:

Un anclaje seleccionado para PFAS debe tener una resistencia capaz de soportar una carga estática aplicada en la dirección permitida por el PFAS de al menos:

- dos veces el máximo de fuerza de detención permitida cuando exista la certificación, o
- 5.000 libras (2.268 kg) (22.2 kN) en ausencia de la certificación

Seleccione cuidadosamente una ubicación de anclaje. Considere la resistencia estructural, las obstrucciones en el camino de la caída y los peligros de caída con balanceo. En determinadas situaciones, la persona calificada puede determinar que una estructura en particular es capaz de resistir la fuerza de detención máxima (MAF, por sus siglas en inglés) aplicada del PFAS con un factor de seguridad de al menos dos, según lo exige OSHA.



No altere ni haga mal uso intencional de este equipo. Consulte a FallTech cuando utilice este equipo en combinación con componentes o subsistemas distintos a los descritos en este manual. Todos los componentes o subsistemas utilizados con el SRD que se analizan en este manual deben cumplir con ANSI Z359 u OSHA.

No inserte conectores adicionales entre el conector de la cuerda de salvamento en el SRD y el anillo en D dorsal del FBH, excepto un extensor de anillo en D aprobado. Tenga precaución. Tome medidas para evitar superficies y bordes afilados y/o abrasivos.

5.0 Instalación y uso

5.1 Instalar el dispositivo autorretráctil (SRD, por sus siglas en inglés):

Examine el área de trabajo para detectar posibles peligros. Tome precauciones para evitar peligros elevados, como grúas, postes, cables eléctricos aéreos y peligros en superficies para caminar/trabajar, como cables eléctricos, cables de soldadura, mangueras de aire y fluidos, incluidos peligros de obstrucción, como columnas verticales y pilas de materiales en el nivel inferior. Elimine los peligros cuando sea posible.

Asegúrese de que el anclaje proporcione la distancia despejada de caída mínima requerida (MRFC) en la ruta de caída debajo de la superficie de desplazamiento/trabajo para evitar golpear el nivel inferior o una obstrucción durante un evento de caída. Tome medidas para evitar caídas con balanceo, que ocurren cuando el anclaje no está directamente sobre el punto donde ocurre la caída.

La distancia despejada de caída y las caídas con balanceo están sujetas a condiciones variables. La altura del ancla, el movimiento lateral y la distancia de retroceso afectan la ubicación del ancla con respecto a la distancia despejada de caída y la caída con balanceo.

El SRD se puede fijar a un anclaje elevado (Figura 4), es decir, encima del anillo en D dorsal del FBH del usuario. El SRL-R que se analiza en este manual no está diseñado para aplicaciones de bordes salientes.

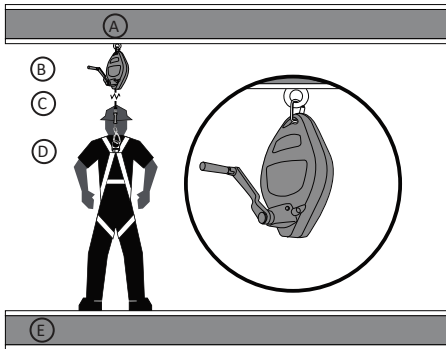
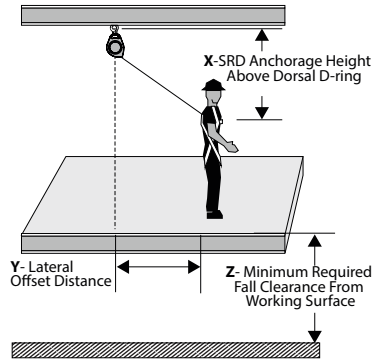


Figura 4 - Anclaje elevado de la cuerda de salvamento autorretráctil-R	
A	Anclaje sobrecabeza
B	Cuerda de Salvamento Autorretráctil-R DuraTech
C	Cuerda de salvamento
D	Conexión al arnés de cuerpo completo (FBH, por sus siglas en inglés)
E	Superficie pedestre de trabajo

5.2 Cálculo de la distancia despejada de caída mínima requerida





5.2.1 Cuerda de Salvamento Autorretráctil-R DuraTech en aplicación de anclaje elevado sin bordes salientes

La cuerda de salvamento autorretráctil-R se puede usar como un SRD estándar en una condición elevada, en la que el SRD se instala en cualquier lugar del área de conexión permitida, que va desde directamente encima del usuario hasta el nivel con el anillo en D del FBH, como se muestra en la Figura 5.



La distancia despejada mínima de caída requerida en suspensión (MRFC) se calcula utilizando cuatro métricas, medidas desde la superficie de trabajo para caminar: distancia de desaceleración del SRD, cambio de anillo en D y estiramiento del arnés [1 pie (0,3 m)], factor de seguridad [1,5 pies (0,5 m)] y caída con balanceo. La Tabla 1 a continuación se calcula utilizando los datos de rendimiento del SRD e incluye las cuatro métricas enumeradas anteriormente para determinar MRFC.

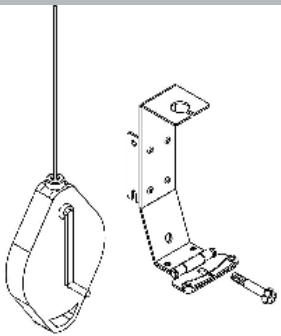
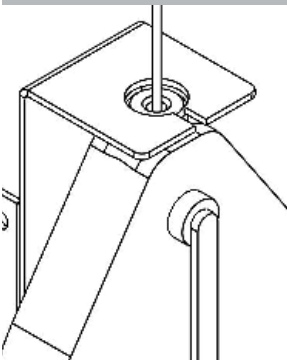
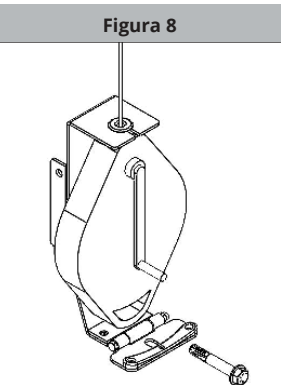
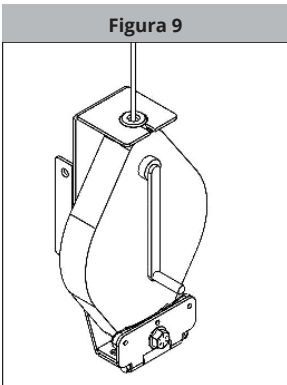
Cuadro 1 - Anclaje elevado de distancia despejada mínima requerida en una caída (MRFC, por sus siglas en inglés)														
Tabla 1 Suspendido		Distancia de desplazamiento lateral (Y) →												
		0 pies (0 m)	2 pies (0.7 m)	4 pies (1.3 m)	6 pies (1.9 m)	8 pies (2.5 m)	10 pies (3.1 m)	12 pies (3.7 m)	14 pies (4.3 m)	16 pies (4.9 m)	18 pies (5.5 m)	20 pies (6.1 m)	22 pies (6.8 m)	24 pies (7.4 m)
Altura de anclaje del SRD por encima del anillo en D dorsal (X)	60 pies (18.3 m)	5.5 (1.7)	6.0 (1.9)	6.0 (1.9)	6.0 (1.9)	6.5 (2.0)	6.5 (2.0)	7.0 (2.2)	7.5 (2.3)	8.0 (2.5)	8.5 (2.6)	9.0 (2.7)	9.5 (2.9)	10.5 (3.2)
	55 pies (16.8 m)	5.5 (1.7)	6.0 (1.9)	6.0 (1.9)	6.0 (1.9)	6.5 (2.0)	6.5 (2.0)	7.0 (2.2)	7.5 (2.3)	8.0 (2.5)	8.5 (2.6)	9.5 (2.9)	10.0 (3.1)	11.0 (3.3)
	50 pies (15.3 m)	5.5 (1.7)	6.0 (1.9)	6.0 (1.9)	6.0 (1.9)	6.5 (2.0)	6.5 (2.0)	7.0 (2.2)	7.5 (2.3)	8.0 (2.5)	9.0 (2.8)	9.5 (2.9)	10.5 (3.2)	11.0 (3.3)
	45 pies (13.8 m)	5.5 (1.7)	6.0 (1.9)	6.0 (1.9)	6.0 (1.9)	6.5 (2.0)	7.0 (2.2)	7.5 (2.3)	8.0 (2.5)	8.5 (2.6)	9.0 (2.8)	10.0 (3.1)	11.0 (3.3)	11.5 (3.5)
	40 pies (12.2 m)	5.5 (1.7)	6.0 (1.9)	6.0 (1.9)	6.0 (1.9)	6.5 (2.0)	7.0 (2.2)	7.5 (2.3)	8.0 (2.5)	9.0 (2.7)	9.5 (2.9)	10.5 (3.2)	11.5 (3.5)	12.5 (3.6)
	35 pies (10.7 m)	5.5 (1.7)	6.0 (1.9)	6.0 (1.9)	6.5 (1.9)	6.5 (2.0)	7.0 (2.2)	7.5 (2.3)	8.5 (2.6)	9.0 (2.7)	10.0 (3.1)	11.0 (3.3)	12.0 (3.6)	13.0 (3.9)
	30 pies (9.2 m)	5.5 (1.7)	6.0 (1.9)	6.0 (1.9)	6.5 (2.0)	7.0 (2.2)	7.5 (2.3)	8.0 (2.5)	9.0 (2.7)	9.5 (2.9)	10.5 (3.2)	12.0 (3.6)	13.0 (3.9)	14.0 (4.1)
	25 pies (7.7 m)	5.5 (1.7)	6.0 (1.9)	6.0 (1.9)	6.5 (2.0)	7.0 (2.2)	7.5 (2.3)	8.5 (2.6)	9.5 (2.8)	10.5 (3.2)	11.5 (3.5)	13.0 (3.9)	14.0 (4.1)	15.5 (4.7)
	20 pies (6.1 m)	5.5 (1.7)	6.0 (1.9)	6.0 (1.9)	6.5 (2.0)	7.5 (2.3)	8.0 (2.5)	9.0 (2.7)	10.0 (3.1)	11.5 (3.5)	12.5 (3.6)	14.0 (4.1)	15.5 (4.7)	17.0 (5.1)
	15 pies (4.6 m)	5.5 (1.7)	6.0 (1.9)	6.5 (2.0)	7.0 (2.2)	7.5 (2.3)	9.0 (2.7)	10.0 (3.1)	11.5 (3.5)	12.5 (3.6)	14.0 (4.1)	15.5 (4.7)	17.5 (5.3)	19.0 (5.8)
	10 pies (3.1 m)	5.5 (1.7)	6.0 (1.9)	6.5 (2.0)	7.5 (2.3)	8.5 (2.6)	10.0 (3.1)	11.5 (3.5)	13.0 (3.9)	14.5 (4.7)	16.5 (5.0)	18.0 (5.5)	20.0 (6.0)	21.5 (6.6)
	5 pies (1.6 m)	5.5 (1.7)	6.0 (1.9)	7.0 (2.2)	8.5 (2.6)	10.0 (3.1)	12.0 (3.6)	13.5 (4.1)	15.5 (4.7)	17.5 (5.3)	19.5 (5.9)	21.5 (6.6)	23.5 (7.2)	25.5 (7.8)
	0 pies (0 m)	5.5 (1.7)	7.5 (2.3)	9.5 (2.9)	11.5 (3.5)	13.5 (4.1)	15.5 (4.7)	17.5 (5.3)	19.5 (5.9)	21.5 (6.6)	23.5 (7.2)	25.5 (7.8)	27.5 (8.4)	29.5 (9.0)

Uso del Cuadro 1 para calcular la distancia despejada de caída mínima requerida para la Cuerda de Salvamento Autorretráctil-R DuraTech de 3 Formas	
Los incrementos de 0,6 m (2 pies) a lo largo del eje Y representan la distancia de desplazamiento lateral en la que el usuario está trabajando lejos de estar directamente debajo del SRD	Los incrementos de 1,5 m (5 pies) hacia arriba del eje X representan la altura de anclaje del SRD por encima del anillo en D dorsal del usuario
Ejemplo: Si el usuario necesita trabajar a 10 pies (3.1 m) de distancia directamente debajo del SRD, el SRD debe anclarse al menos a 15 pies (4.6 m) por encima del anillo en D dorsal del usuario. La distancia despejada de caída mínima requerida es de 9.5 pies (2.9 m) en la caída con balanceo máxima permitida.	
Ejemplo: Si el único anclaje adecuado para el SRD está a la altura del anillo en D [0,0 pies (0,0 m)] por encima del anillo en D dorsal del usuario, la zona de trabajo máxima permitida es de 4 pies (1,3 m) del SRD. La distancia despejada de caída mínima requerida es de 10,0 pies (3,1 m) en la caída con balanceo máxima permitida.	
Clave para las áreas de la zona de trabajo: <div style="display: flex; justify-content: space-around; align-items: center;"> <div style="text-align: center;">  = Área de uso permitido </div> <div style="text-align: center;">  = Área de uso no permitido </div> </div>	
<div style="display: flex; justify-content: space-around; align-items: center;"> <div style="text-align: center;">  TRABAJAR EN ESTA ÁREA </div> <div style="text-align: center;">  PUEDO RESULTAR EN LESIONES GRAVES O LA MUERTE </div> </div>	

5.3 Montaje e instalación del soporte del dispositivo

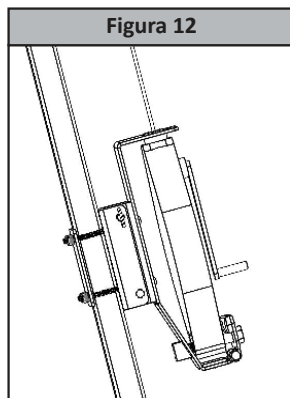
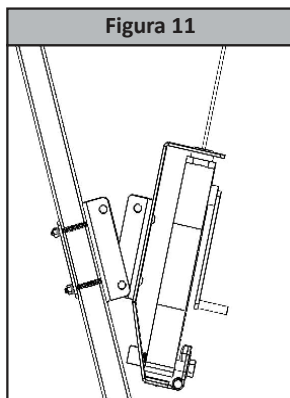
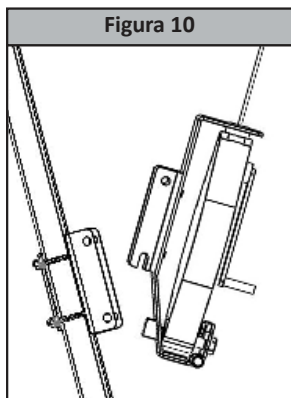
5.3.1 Instalación de la cuerda de salvamento autorretráctil-R en un Soporte del Receptor del Equipo Universal FallTech para trípodes

Consulte los manuales de instrucciones del usuario del Trípode FallTech para obtener instrucciones, requisitos y compatibilidad al utilizar la Cuerda de Salvamento Autorretráctil-R DuraTech con un sistema de Trípode FallTech.

Figura 6	Figura 7	
		<ol style="list-style-type: none"> 1. Retire el perno y la arandela del soporte y doble hacia abajo la solapa inferior como se muestra en la Figura 6. 2. Pase el cable de la SRL-R a través de la muesca en la parte superior del soporte como se muestra en la Figura 7.
		<ol style="list-style-type: none"> 3. Alinee el orificio de la SRL-R con la abertura circular en el soporte e insértelo a través del soporte como se muestra en la Figura 3. 4. Doble la solapa inferior hacia arriba, inserte el perno con la arandela asegurándose de que pasa a través de la solapa del soporte y del área de la manija de la Figura 4. Apriete el perno con un casquillo o llave de 15/16" a 50 pies-libras.

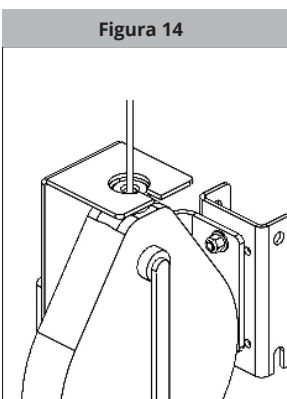
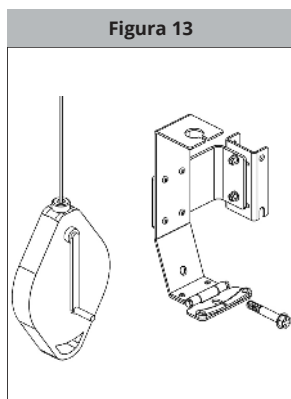
5.3.2 Instalación del soporte de la cuerda de salvamento autorretráctil-R en el soporte del receptor del equipo trípode

1. Retire el pasador de retención superior del Soporte del Receptor del Equipo Universal FallTech.
2. Coloque la muesca en el soporte de la cuerda de salvamento autorretráctil-R sobre la barra inferior del Soporte del Receptor del Equipo Universal FallTech como se muestra en la Figura 10.
3. Gire el soporte de la cuerda de salvamento autorretráctil-R para alinear los orificios superiores como se muestra en la Figura 11.
4. Inserte el pasador de retención provisto asegurándose de que pase por ambos lados del soporte, como se muestra en la Figura 12.



5.3.3 Instalación de la cuerda de salvamento autorretráctil-R en un Soporte del Receptor del Equipo Universal FallTech para grúas

Consulte los manuales de instrucciones del usuario del Trípode FallTech para obtener instrucciones, requisitos y compatibilidad al utilizar la Cuerda de Salvamento Autorretráctil-R DuraTech con un sistema de Grúa FallTech.



1. Retire el perno y la arandela del soporte y doble hacia abajo la solapa inferior como se muestra en la Figura 13.
2. Pase el cable de la SRL-R a través de la muesca en la parte superior del soporte como se muestra en la Figura 14.

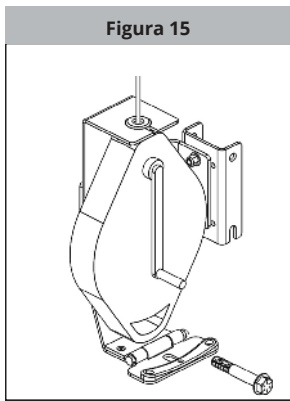


Figura 15

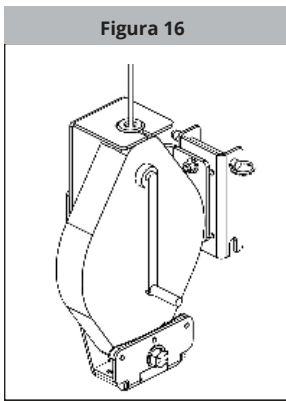


Figura 16

3. Alinee el orificio de la SRL-R con la abertura circular en el soporte e insértelo a través del soporte como se muestra en la Figura 15.
4. Doble la solapa inferior hacia arriba, inserte el perno con la arandela asegurándose de que pasa a través de la solapa del soporte y del área de la manija de la SRL-R, como se muestra en la Figura 16. Apriete el perno con un casquillo o llave de 15"/16" a 50 pies-libras.

5.3.4 Instalación del soporte de la cuerda de salvamento autorretráctil-R en el soporte del receptor del dispositivo trípode

1. Retire el pasador de retención superior del Soporte del Receptor del Equipo Universal FallTech.
2. Coloque la muesca en el soporte de la cuerda de salvamento autorretráctil-R sobre la barra inferior del Soporte del Receptor del Equipo Universal FallTech como se muestra en la Figura 17.
3. Gire el soporte de la cuerda de salvamento autorretráctil-R para alinear los orificios superiores como se muestra en la Figura 17.
4. Inserte el pasador de retención provisto asegurándose de que pase por ambos lados del soporte, como se muestra en la Figura 19.

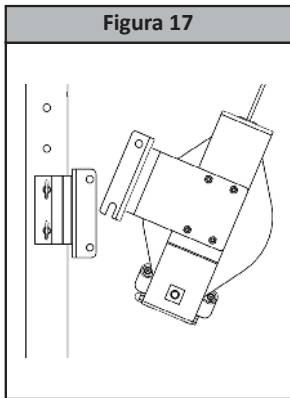


Figura 17

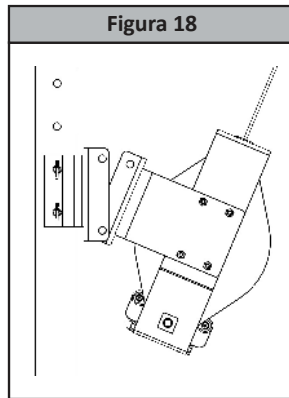


Figura 18

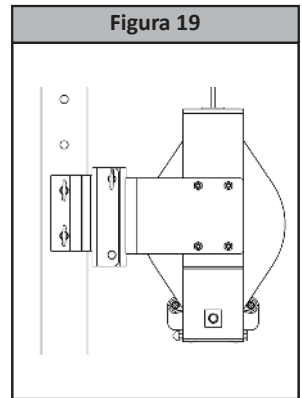


Figura 19

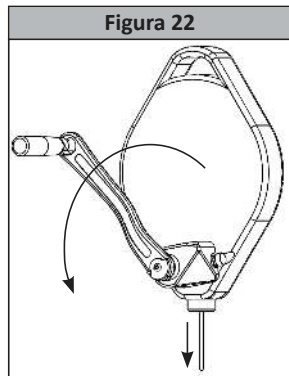
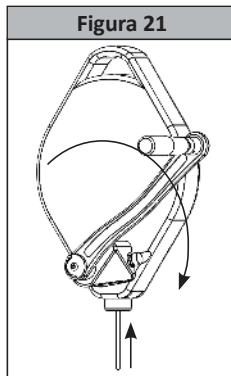
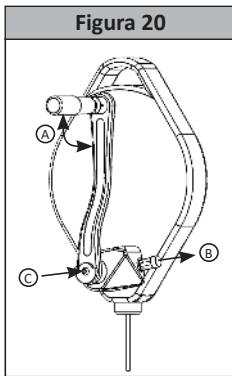
5.4 Uso de la Cuerda de Salvamento Autorretráctil-R DuraTech de Recuperación de 3 Formas

 **ADVERTENCIA**

La función de recuperación de la Cuerda de Salvamento Autorretráctil-R FallTech® DuraTech de Recuperación de 3 Formas que se analiza en este manual solo debe usarse en caso de una emergencia y no está diseñada para manipulación de materiales ni aplicaciones rutinarias de elevación de personal.

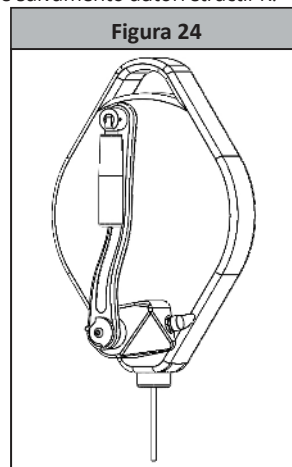
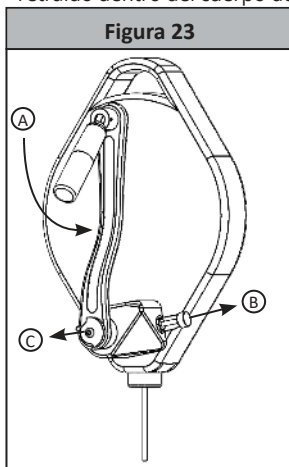
5.4.1 Modo de rescate/recuperación

1. Despliegue el mango plegable negro, consulte la Figura 20A. La manivela roja girará libremente en ambas direcciones mientras la cuerda de salvamento autorretráctil-R esté en el modo de cuerda de salvamento autorretráctil o de detención de caídas.
2. Tire del pasador de enganche de la manivela (ver Figura 20B) y simultáneamente empuje la manivela hacia la carcasa de la cuerda de salvamento autorretráctil (ver Figura 20C). Puede que sea necesario girar ligeramente la manija para encajar los engranajes en su posición.
3. Suelte el pasador de enganche de la manivela una vez que los engranajes estén completamente encajados para bloquear la manija en modo de rescate/recuperación. El pasador de enganche de la manivela debe estar completamente retraído dentro del cuerpo de la cuerda de salvamento autorretráctil-R.
4. Para elevar, gire la manija en el sentido de las agujas del reloj si la manija está mirando hacia usted con la manija de anclaje en la parte superior. Consulte la Figura 21. Cuando está completamente cargada, una fuerza de hasta 30 libras será necesaria para operar la manija. Para bajar, gire la manija en el sentido de las agujas del reloj. Consulte la Figura 22. La manija girará media vuelta antes de que la carga comience a bajar o subir. Mantenga un mínimo de 15 libras de tensión en ambas direcciones sobre el cable en todo momento para evitar el enredo del cable en el tambor.



5.4.2 Modo de cuerda de salvamento autorretráctil (detención de caídas)

1. Deje aproximadamente un pie de cable extendido fuera de la carcasa de la cuerda de salvamento autorretráctil-R. Doble la manija plegable negra tirando de ella hacia afuera para liberar el mecanismo de bloqueo de la manija. Consulte la Figura 23A.
2. Tire del pasador de enganche de la manivela (ver la Figura 23B) y simultáneamente retire la manivela de la carcasa de la SRL-R (ver Figura 23C). El cable se retraerá nuevamente dentro de la carcasa cuando se desacoplen los engranajes.
3. Suelte el pasador de enganche de la manivela una vez que la manija esté en modo de detención de caídas. El pasador de enganche de la manivela debe estar completamente retraído dentro del cuerpo de la cuerda de salvamento autorretráctil-R.



5.5 Operación de la cuerda de salvamento autorretráctil-R:

Antes de cada uso, inspeccione la cuerda de salvamento autorretráctil-R. Consulte la Sección 7 para obtener instrucciones de inspección.

5.5.1 Mecanismo de bloqueo:

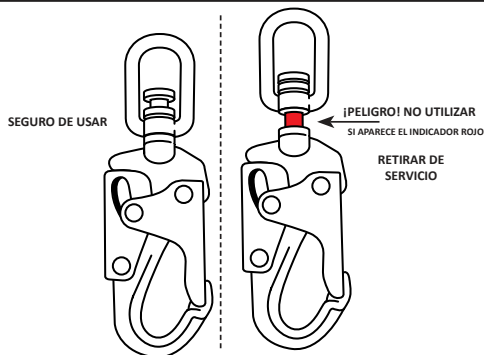
El SRD utiliza un mecanismo de bloqueo basado en la aceleración. La función de bloqueo requiere una cierta tasa de reparto durante un evento de caída para funcionar correctamente. Ciertas situaciones, espacios confinados o estrechos, cimientos móviles como arena, grava, grano o una superficie inclinada pueden no permitir que la línea de vida alcance la velocidad suficiente para activar el mecanismo de bloqueo. Se requiere una ruta despejada para asegurar el bloqueo positivo del SRD. Asegúrese de que la cerradura funcione correctamente. Tire de la cuerda de salvamento una distancia corta y déle un tirón fuerte. La cuerda de salvamento debe bloquearse. Si no se bloquea, retírela del servicio inmediatamente. Asegúrese de que la zona de trabajo permanezca dentro de los parámetros establecidos.

NO conecte un cordón adicional de absorción de impactos o un dispositivo similar entre la carcasa del SRD y el anclaje.

5.5.2 Indicador de impacto de detención de caídas:

El principal indicador de impacto de detención de caídas es el amortiguador de energía que indica la carga. El amortiguador de energía mostrará una banda roja si ha sido sometido a detención de caídas o fuerzas iguales, como se muestra en la Figura 25. Si un conector muestra algún signo de daño, cubierta rota o rasgada, hebras deshilachadas, quemaduras o traumatismo de cualquier tipo, retire la unidad del servicio.

Figura 25 - Inspección del conector en el extremo de la pierna que indica la carga de la cuerda de salvamento autorretráctil-R



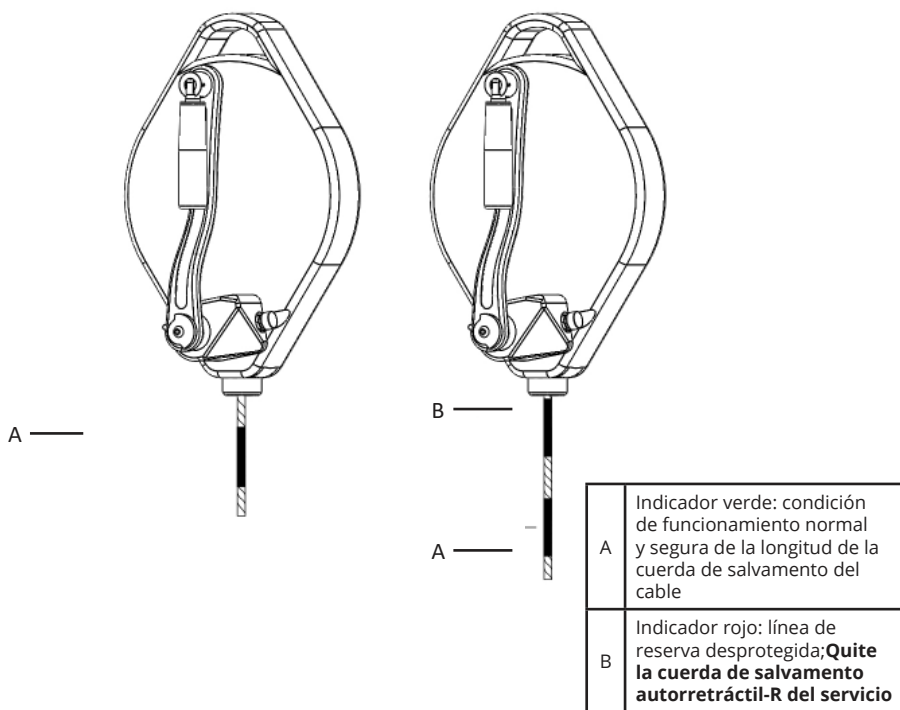
5.5.3 Indicadores de reserva y límite operativo de la cuerda de salvamento:

El SRD está equipado con dos indicadores de longitud de la cuerda de salvamento, como se muestra en la Figura 26; una marca verde para indicar el final de la longitud funcional en la cuerda de salvamento y una marca roja para indicar que se ha traspasado el cable de reserva en la carcasa. Cuando la cuerda de salvamento del SRD se extiende hasta su límite operativo, la cuerda de salvamento dejará de aflojar. Se verá una marca verde, como se muestra en la Figura 26A. La marca verde y una pequeña porción de la cuerda de salvamento que pasa por ella pueden volverse visibles debido a variables de fabricación durante el uso normal, pero el usuario sabrá cuándo se alcanza el final operativo. No intente sacar más la cuerda de salvamento. Extraer cuerda de salvamento adicional comprometerá la funcionalidad del SRD y puede provocar lesiones graves o la muerte.

Si accidentalmente se extrae la cuerda de salvamento adicional del SRD sin un evento de caída, retire el SRD de servicio y comuníquese con FallTech para conocer las opciones.

Una banda roja está más arriba en la cuerda de salvamento. La banda roja, que también se muestra en la Figura 26, indica que se ha traspasado la parte de reserva de la cuerda de salvamento. El SRD ya no es seguro de usar. Retire el SRD del servicio inmediatamente, etiquételo como "INUTILIZABLE" y comuníquese con FallTech en info@falltech.com.

Figura 26 - Inspección de los indicadores de la SRL-R



5.5.4 Inspeccionar la cuerda de salvamento:

La cuerda de salvamento del dispositivo autorretráctil (SRD, por sus siglas en inglés) es de cable/ alambre o Technora® y está sujeta a ciertos peligros. Inspeccione la cuerda de salvamento antes de cada uso para comprobar las condiciones descritas en la Sección 7.

5.6 Uso de la cuerda de salvamento autorretráctil (SRL-R, por sus siglas en inglés):

No utilice la SRL-R si la inspección muestra daños o cualquier mal funcionamiento. Póngase el arnés de cuerpo completo (FBH, por sus siglas en inglés) de acuerdo con las instrucciones del fabricante del FBH. Siga las instrucciones contenidas en este manual y en las etiquetas. No seguir las instrucciones puede provocar lesiones graves o la muerte. Sujete el conector del extremo de la pierna al anillo en D dorsal del FBH. Asegúrese de que el conector se cierre y bloquee. Asegúrese de que todas las conexiones sean compatibles. La operación normal permitirá que la longitud de trabajo para la cuerda de salvamento se extienda y retraiga a medida que el trabajador se mueve. Debe permanecer una cierta tensión en el cable en todo momento para garantizar el funcionamiento adecuado del freno interno. No permita que la cuerda de salvamento se afloje. Si la cuerda de salvamento no se retrae, retire la SRL-R del servicio para su inspección. Consulte la Sección 7:

Evite movimientos bruscos o rápidos durante la operación normal de trabajo, ya que esto puede hacer que el freno de la SRL-R se active y posiblemente cause pérdida de equilibrio, lo que puede provocar lesiones o la muerte.

Si se produce una caída, el freno se activará y bloqueará la cuerda de salvamento para detener la caída y limitar las fuerzas de detención sobre el usuario.

- NO extienda la cuerda de salvamento más allá del límite operativo.
- NO permita que una cuerda de salvamento del SRD se enrede o retuerza con otra cuerda de salvamento de SRD durante el uso.
- NO permita que ninguna cuerda de salvamento pase debajo de los brazos o entre las piernas durante el uso.
- NO sujete, anude ni evite que la cuerda de salvamento se retraiga o se tense.
- NO alargue el SRD conectando una cuerda de salvamento o un componente similar.
- NO permita que la cuerda de salvamento permanezca fuera de la carcasa cuando no esté en uso.
- NO permita que la cuerda de salvamento gire libremente hacia la carcasa. Use una línea de etiqueta para mantener la tensión y retraer la cuerda de salvamento durante los períodos de inactividad. Use la línea de etiqueta para recuperar el conector del extremo de la pata para el próximo uso.
- NO deje la línea de etiqueta unida al conector del extremo de la pata cuando use el SRD para protección contra caídas.

5.7 Después de una caída:

Un evento de caída sobre un borde puede requerir medidas y equipos de rescate especiales. Asegúrese de que exista un plan, método y sistema de rescate por escrito y que esté fácilmente disponible para que todos los usuarios puedan dar una respuesta rápida. Asegúrese de que todos los usuarios estén capacitados en los procedimientos de rescate. Si ocurre un evento de caída, retire el equipo del servicio y guárdelo por separado. Retire de servicio cualquier unidad que haya estado sujeta a fuerzas de detención de caídas o que muestre daños consistentes con dichas fuerzas. Si tiene preguntas, comuníquese con FallTech.

6.0 Mantenimiento, servicio y almacenamiento

6.1 Mantenimiento:

Asegúrese de que la SRL-R se mantenga libre de exceso de pintura, grasa, suciedad u otros contaminantes, ya que esto podría provocar un mal funcionamiento de la cuerda de salvamento o del mecanismo de retracción. Asegúrese de que no entren residuos en la carcasa a través del puerto de acceso al cable. Limpie el exterior de la unidad según sea necesario con una solución de agua y detergente. No permita que el agua u otros elementos que causen corrosión entren en la carcasa. Después de limpiar, tire de la cuerda de salvamento hasta el final, deje que la unidad se seque al aire libre y luego retraiga la cuerda de salvamento dentro de la unidad. No permita que la cuerda de salvamento gire libremente hacia el interior de la carcasa. Limpie las etiquetas según sea necesario.

- NO utilice el calor para secar.
- NO intente desmontar el SRD.

6.2 Servicio:

Si se requiere servicio por algún motivo, como falla de inspección, carga por impacto o cualquier tipo de mal funcionamiento, etiquete la unidad como "INUTILIZABLE", guárdela por separado y comuníquese con FallTech al 323-752-0066 para recibir un número de Autorización de Devolución o para ubicar el Centro de Servicio FallTech más cercano. La SRL-R no es reparable por el usuario. Solo el fabricante, o una instalación de reparación autorizada por escrito, puede reparar la SRL-R. Esta SRL-R está diseñada para usarse instalada en un soporte de anclaje o fijada en una parte elevada.

6.3 Almacenamiento:

Cuelgue la SRL-R en un ambiente fresco, seco y limpio fuera del contacto con la luz solar directa. Coloque la SRL-R de manera que el exceso de agua pueda drenarse. Evite la exposición a vapores químicos o cáusticos. Inspeccione minuciosamente la SRL-R después de cualquier período de almacenamiento prolongado.

7.0 Inspección

7.1 Inspección del usuario previa al uso de la cuerda de salvamento autorretráctil-R:

Realice una inspección antes de cada uso de acuerdo con las recomendaciones de la Tabla 1 a continuación.

Tabla 1: directrices para la inspección de la cuerda de salvamento autorretráctil-R

Inspección	Pasa	Falla
La cuerda de salvamento del cable debe extraerse y retraerse por completo y sin fluctuaciones y debe mantenerse tirante bajo tensión sin ceder.		
Extraiga la cuerda de salvamento del cable varias pulgadas y aplique un tirón firme para confirmar que el SRD se bloquea. El bloqueo debe ser seguro y sin deslizamiento. Repita este bloqueo en lugares adicionales a lo largo de la cuerda de salvamento para confirmar que el SRD funciona correctamente.		
Examine el indicador de carga en el conector del extremo de la pierna para asegurarse de que no haya sido cargado, impactado o activado. Ver Figura 25.		
Inspeccione toda la longitud de la cuerda componente hasta el indicador visual verde de longitud máxima de trabajo que se muestra en la Figura 26. Revise de cerca la cuerda de salvamento para ver si hay alambres con hebras rotas, quemaduras por salpicaduras de soldadura, escoria de soldadura, deshiladura, torceduras y hebras torcidas. Examine también si hay óxido, suciedad, pintura, grasa o aceite. Verifique si hay daños causados por deterioro químico o calor excesivo, como se evidencia con la decoloración. Consulte la Figura 27 para ver ejemplos. Si existe alguna de estas condiciones, retire el SRD del servicio.		
Si durante la inspección de la cuerda definida anteriormente, extrae la cuerda más allá del indicador verde y finalmente expone un indicador rojo secundario en la cuerda, debe retirar el SRD del servicio inmediatamente. Este indicador visual rojo secundario indica que la cuerda de reserva de la unidad SRD se ha desplegado o que el SRD ha experimentado un evento de caída y ya no funciona. Ver Figura 26.		
Verifique la función de cambio de modo colocando la SRL-R en modo de recuperación/rescate y nuevamente en modo de detención de caídas para garantizar un funcionamiento adecuado.		
Verifique si hay tornillos o tuercas faltantes o sueltos y cualquier componente deformado o dañado.		
Examine el alojamiento externo en busca de grietas, roturas o deformaciones.		
Compruebe el ojo del conector externo y el mosquetón de anclaje para ver si están dañados o deformados. La compuerta del mosquetón de anclaje debe girarse para abrirse y cerrarse fácil y suavemente.		
Examine la unidad SRD en general en busca de indicios de deterioro o daño.		
Todas las etiquetas deben estar intactas y totalmente legibles (ver Sección 8).		

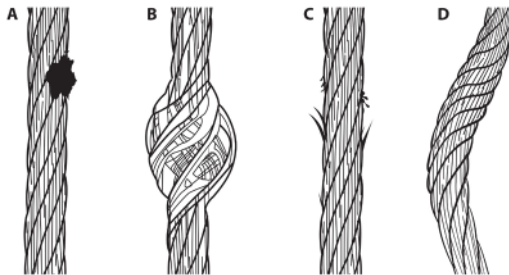


Figura 27: inspección del cable

Extraiga todo el cable y verifique la longitud funcional total en busca de daños causados por corrosión química o calor excesivo, como lo demuestra la decoloración (A), deshiladura (B), hilos de alambre rotos (C), pliegues e hilos doblados (D). Consulte la Figura 14. El cable debe retraerse por completo sin fluctuaciones y debe mantenerse tirante bajo tensión sin ceder.

7.2 Inspección del usuario previa al uso de la Cuerda de Salvamento Autorretráctil-R con Fibra Technora

Realice una inspección antes de cada uso de acuerdo con las recomendaciones de la Tabla 2 a continuación.

Tabla 2: directrices para la inspección de la Cuerda de Salvamento Autorretráctil-R con Fibra Technora		
Inspección	Pasa	Falla
La cuerda de salvamento debe extraerse y retraerse completamente y sin tambalearse y debe permanecer tensa bajo tensión sin ceder.		
Extraiga la cuerda de salvamento varias pulgadas y aplique un tirón firme para confirmar los bloques del SRD. El bloqueo debe ser seguro y sin patinar. Repita este bloqueo en lugares adicionales a lo largo de la cuerda de salvamento para confirmar que el SRD esté funcionando correctamente.		
Examine el indicador de carga en el conector del extremo de la pierna para asegurarse de que no haya sido cargado, impactado o activado. Ver Figura 25.		
<p>Inspeccione toda la longitud de la cuerda componente hasta el Indicador visual verde de longitud máxima de trabajo que se muestra en la Figura 26. Revise de cerca la cuerda de salvamento para ver si hay hebras rotas, quemaduras por salpicaduras de soldadura, escoria de soldadura, daños por abrasión, vidriado, cambios o diámetro variable del cable, decoloración, cambios en la flexibilidad, torceduras o corvejones. Examine también si hay óxido, suciedad, pintura, grasa o aceite. Verifique si hay daños causados por corrupción química o calor excesivo, como se evidencia con la decoloración. Consulte la Figura 27 para ver ejemplos. Si existe alguna de estas condiciones, retire el SRD del servicio.</p> <ul style="list-style-type: none"> • Abrasión: ruptura o deshilachado de fibras debido al desgaste y/o al movimiento contra otras fibras, componentes de la cuerda o una superficie de contacto. • Vidriado: fusión de las fibras que da una superficie vítrea dura debido al sobrecalentamiento o la fricción excesiva sobre una superficie o la cuerda misma. • Integridad del diámetro: aumento o disminución del diámetro de la cuerda debido a abrasión excesiva, vidriado, objetos extraños en el núcleo o reducción del tamaño del núcleo debido a fibras rotas. • Decoloración: decoloración, rayas o manchas debido a productos químicos, rayos UV, medio ambiente u otros agentes externos que pueden causar una reducción de la resistencia de la cuerda. • Flexibilidad: pérdida en la capacidad de doblarse según el tipo y construcción de la cuerda, puntos duros o blandos. • Exposición de la fibra del núcleo: el núcleo del centro de la cuerda puede atravesar la cubierta y causar una pérdida de resistencia y de la capacidad de la cuerda para funcionar sobre una polea. • Retorcimiento o encorvamiento: un pequeño giro, curvatura o doblez en uno o más de los hilos de la yarda o de la cuerda provocará una reducción en la resistencia de la cuerda. Es posible que se pueda solucionar el problema, pero si el hilo aún está distorsionado, se producirá una reducción de la resistencia. 		
Si durante la inspección de la cuerda definida anteriormente, extrae la cuerda más allá del indicador verde y finalmente expone un indicador rojo secundario en la cuerda, debe retirar el SRD del servicio inmediatamente. Este indicador visual rojo secundario indica que la cuerda de reserva de la unidad SRD se ha desplegado o que el SRD ha experimentado un evento de caída y ya no funciona. Ver Figura 26.		
Verifique la función de cambio de modo colocando la SRL-R en modo de recuperación/rescate y nuevamente en modo de detención de caídas para garantizar un funcionamiento adecuado.		
Verifique si hay tornillos o tuercas faltantes o sueltos y cualquier componente deformado o dañado.		
Examine el alojamiento externo en busca de grietas, roturas o deformaciones.		
Compruebe el ojo del conector externo y el mosquetón de anclaje para ver si están dañados o deformados. La compuerta del mosquetón de anclaje debe girarse para abrirse y cerrarse fácil y suavemente.		
Examine la unidad SRD en general en busca de indicios de deterioro o daño.		
Todas las etiquetas deben estar intactas y totalmente legibles (ver Sección 8).		

ADVERTENCIA

La cuerda de fibra fallará si se desgasta, se daña, se sobreusa, se sobrecarga o no se mantiene adecuadamente. La falla de la cuerda puede causar lesiones graves o la muerte si no lee y comprende todas las instrucciones del fabricante antes de su uso.

7.2 Frecuencia de inspección:

Se requiere inspección por parte de una persona competente a intervalos regulares. La persona competente utilizará la información de la Tabla 2: recomendaciones de inspección del SRD, para determinar la frecuencia de inspección. Utilice la Tabla 3 para determinar la frecuencia de inspección. También se requiere una inspección periódica por parte de una entidad de inspección autorizada por la fábrica.

Tabla 3 - Recomendaciones de frecuencia en la inspección del SRD

Tipo de uso	Ejemplos de aplicación	Condiciones de uso	Frecuencia de inspección Persona competente
Infrecuente al uso ligero	Rescate y espacios confinados, mantenimiento de fábrica.	Buenas condiciones de almacenamiento, uso en interiores o poco frecuentes al aire libre, temperatura ambiente, ambientes limpios	Anualmente
Uso moderado a pesado	Transporte, construcción residencial, servicios públicos, bodega.	Condiciones de almacenamiento justas, uso interior y exterior prolongado, todas las temperaturas, ambientes limpios o polvorientos	Semestral a anual
Uso severo a continuo	Construcción comercial, petróleo y gas, minería	Condiciones de almacenamiento severas, uso prolongado o continuo en el exterior, todas las temperaturas, ambientes sucios	Trimestral a semestral

7.3 Lista de verificación de inspección:

Utilice la Tabla 1 o la Tabla 2 en la Sección 7 para inspeccionar la cuerda de salvamento autorretráctil-R.

7.4 Resultados de la inspección:

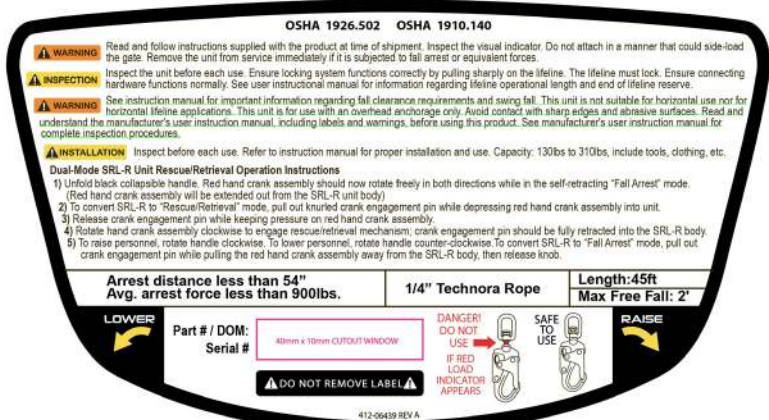
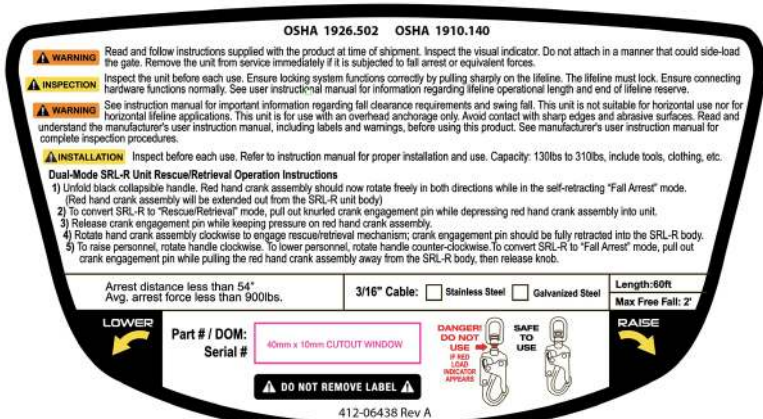
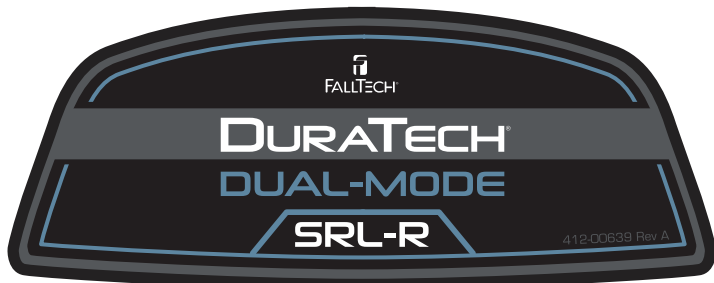
Si una inspección revela defectos o daños en el equipo, mantenimiento inadecuado o indicadores de caída activados, retire el equipo del servicio.

7.5 Documento de inspección:

Registre los resultados de la inspección en el Registro de inspección que se proporciona a continuación o en un documento similar.

8.0 Etiquetas

Las etiquetas de los productos deben estar presentes y ser legibles.



9.0 Definiciones

Las siguientes son las definiciones generales de los términos que se utilizan en protección contra caídas según lo determina la norma ANSI Z359.0-2012.

Anclaje: Punto de conexión seguro o extremo de un elemento integrante de un sistema de protección contra caídas o sistema de rescate, capaz de asimilar de forma segura las fuerzas de impacto que genera un sistema de protección contra caídas o subsistema de anclaje.

Conector de anclaje: Componente o subsistema que actúa conectando el anclaje y un sistema de protección contra caídas, un posicionamiento del trabajo, acceso de cuerda o sistema de rescate, con el fin de acoplar el sistema al dispositivo de anclaje.

Distancia de detención: Indica la distancia vertical total requerida para detener una caída. La distancia de detención incluye la distancia de desaceleración y la distancia de activación.

Persona autorizada: Persona designada por el empleador para realizar tareas en un lugar donde se verá expuesta a un peligro de caída.

Distancia despejada disponible: Distancia desde un punto de referencia, como la plataforma de trabajo, hasta el obstáculo más cercano con el que una persona autorizada podría encontrarse durante una caída, que en caso de golpear podría causar lesiones.

Capacidad: Peso máximo que un componente, sistema o subsistema, está diseñado para resistir.

Certificación: Acto que acredita por escrito, que los criterios que determinan esta normativa o cualquier otro estándar relacionado se han tomado en cuenta.

Anclaje certificado: Anclaje para todos los sistemas de detención de caídas, posicionamiento, restricción o rescate, que una persona competente acredita como capaz de resistir las fuerzas que se pueden generar durante una caída.

Distancia despejada: Distancia desde un determinado punto de referencia como por ejemplo, la plataforma de trabajo o el anclaje de un sistema de detención de caída, hasta el plano más bajo que un trabajador pueda encontrar durante una caída.

Requisito de distancia despejada: Distancia por debajo de una persona autorizada que debe permanecer libre de obstrucciones, para garantizar que dicha persona no entre en contacto con ningún objeto que pudiera causar lesiones en caso de una caída.

Persona competente: Persona designada por el empleador, que se hace responsable de la supervisión, la aplicación y el monitoreo continuo, del programa implementado por el empleador para protección contra caídas y quien mediante una capacitación y aprendizaje adecuados, es capaz de identificar, evaluar y solucionar, los riesgos de caída actuales y posibles y quien tiene la autoridad recibida del empleador para tomar con prontitud medidas correctivas respecto a tales peligros.

Componente: Parte o conjunto integral de elementos interconectados diseñados para realizar una función en el sistema.

Subsistema de conexión: Montaje que incluye los conectores necesarios — todos los elementos componentes y subsistemas o ambos—, entre el sistema de anclaje o conector de anclaje y el punto de sujeción del arnés.

Conector: Componente o elemento que se utiliza para unir las piezas del sistema.

Distancia de desaceleración: Distancia vertical entre el dispositivo de detención de caída del usuario al momento del accionamiento de las fuerzas de detención de una caída, durante ella y después de que el accesorio de detención se detiene completamente.

Amortiguador de energía: Componente cuya función principal es disipar energía y restringir las fuerzas de desaceleración, a las que el sistema somete el cuerpo durante la detención de una caída.

Detención de caídas: Acción o circunstancia de detención de una caída libre o instantánea en que una caída libre ha sido detenida.

Peligro de caída:Cualquier lugar en el que una persona está expuesta a la posibilidad de ocurrencia de caída libre.

Caída libre:Acto de caer antes de que un sistema de protección contra caídas comience a generar resistencia para detener el movimiento.

Distancia de caída libre:Distancia vertical que se recorre durante una caída, medida a partir del comienzo de ésta desde una plataforma de trabajo pedestre, hasta el punto en el que el sistema de protección contra caídas comienza a detener la caída.

Arnés de cuerpo completo:Soporte corporal diseñado para abrigar el torso y distribuir las fuerzas de detención de caída, por lo menos en la parte superior de los muslos, la pelvis, el pecho y los hombros.

Cuerda de salvamento horizontal:Componente de un subsistema de cuerda de salvamento horizontal, que consiste en una línea flexible con conectores u otros medios de acople en ambos extremos para asegurarlo horizontalmente entre dos anclajes o conectores de anclaje.

Subsistema de cuerda de salvamento horizontal:Un ensamblaje que incluye los conectores necesarios y está integrado por una cuerda de salvamento horizontal y de manera opcional por lo siguientes elementos: a) Un componente que absorbe la energía o, b) Un tensor de cuerda de salvamento, o ambos. Los anclajes en los extremos deben estar a la misma altura.

Cuerda:Componente integrado por una cuerda y una cuerda de alambre o correa, que tiene generalmente un conector en cada extremo para conectarse con el soporte corporal y con un detenedor de caídas, un atenuador de energía, un conector de anclaje o un anclaje.

Subsistema de conexión con cuerda:Ensamblaje que incluye los conectores necesarios y está integrado únicamente por una cuerda o una cuerda junto con el atenuador de energía.

Sistema personal de detención de caídas (PFAS, por su siglas en inglés):Conjunto de componentes y subsistemas utilizados para detener una persona en caída libre.

Posicionamiento:Acto de sostener el cuerpo con un sistema de posicionamiento que permite tener las manos libres durante el trabajo.

Cordón de posicionamiento:Una cuerda que se utiliza para transferir las fuerzas desde un soporte corporal, hasta un anclaje o conector de anclaje en un sistema de posicionamiento.

Personal calificada:Persona con un título reconocido o certificado profesional y con amplios conocimientos, capacitación y experiencia en el campo de la protección y rescate de caídas, que es capaz de diseñar, analizar, evaluar y especificar, los sistemas de protección contra caídas y rescate.

Dispositivo autorretráctil (SRD, por sus siglas en inglés):Dispositivo que incluye un tambor con una cuerda enrollada que se bloquea automáticamente al inicio de una caída para detener al usuario, pero que se alarga y retrae automáticamente sobre el tambor durante el movimiento normal de la persona a la que está unida la línea.

Gancho:Conector integrado por un soporte en forma de gancho que lleva una compuerta generalmente cerrada, o un arreglo parecido, que se puede abrir para permitir que el gancho reciba un objeto y que cuando se suelta, se cierra automáticamente para retener el objeto.

Caída con balanceo:Movimiento en forma de péndulo que sucede durante y/o después de iniciada una caída vertical. Una caída con balanceo se presenta cuando una persona autorizada comienza una caída, a partir de una posición que se encuentra horizontalmente lejos de un anclaje empotrado.

Apéndice A

Tabla 1A: especificaciones de la Cuerda de Salvamento Autorretráctil-R DuraTech

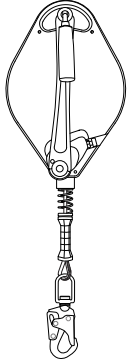
Modelo #	Material de cuerda de salvamento	Longitud funcional, peso y tamaño de carcasa	Materiales y especificaciones	Capacidad y estándares	Cuerda de salvamento autorretráctil-R (SRL-R, por sus siglas en inglés)	
7281 7281DG	Cable de acero galvanizado 7X19 de 3/16" de diámetro	60 pies	Carcasa: aleación de aluminio fundido Conector del extremo de pierna: 5000 libras (22.2 kN) con resistencia de compuerta de 3600 libras (16 kN)	Capacidad para un solo usuario: 130 libras a 310 libras (59 kg a 141 kg) OSHA 1926.502 OSHA 1910.140		
7281S 7281SS 7281DS	Cable de acero inoxidable 7X19 de 3/16" de diámetro	28 libras				15" X 10"
7281DT 7281TT	Cuerda Technora® de trenzado simple con 12 hilos y 1/4" de diámetro	45 pies				28 libras

Tabla 1B: atributos de rendimiento según OSHA de la Cuerda de Salvamento Autorretráctil-R FallTech® DuraTech

No. de pieza y condiciones		Rendimiento típico de FallTech		Atributos de rendimiento según OSHA	
Parte #	Condición de anclaje	Distancia de detención	Fuerza de detención máxima	Distancia de detención máxima	Fuerza de detención máxima
7281 7281DG 7281S 7281SS 7281DS	Borde no delantero en parte superior	25"	1777 libra-fuerza	42"	1,800 libras
7281DT 7281TT		32"	1542 libra-fuerza		