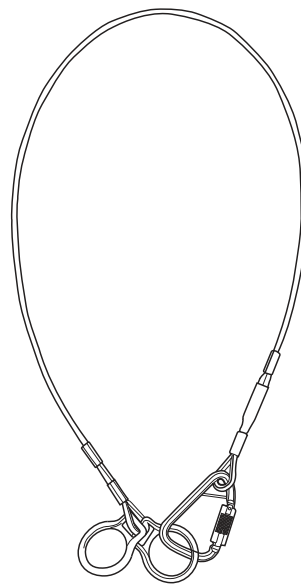
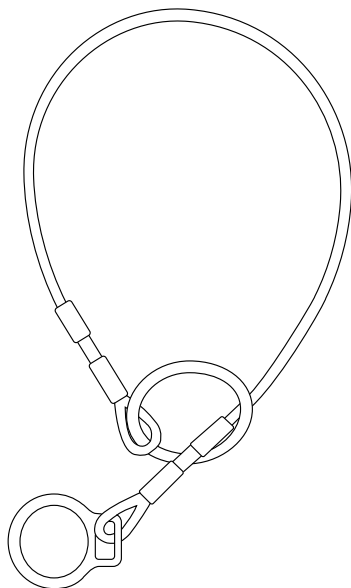
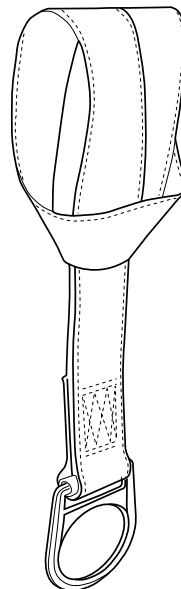
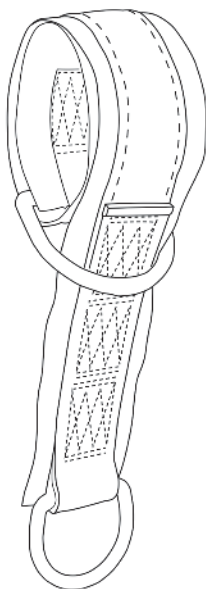


## Pass-Through Anchors

### User Instruction Manual



This manual is intended to meet the Manufacturer's Instructions as required by the American National Standards Institute (ANSI) Z359 and Canadian Standards Association (CSA) Z259 and should be used as part of an employee training program as required by the Occupational Safety and Health Administration (OSHA).

# Table of Contents

1.0	Warnings and Important Information .....	3
2.0	Description .....	4
3.0	Application .....	4
4.0	System Requirements .....	5
5.0	Installation and Use .....	6
6.0	Maintenance, Service and Storage .....	9
7.0	Inspection .....	9
8.0	Labels .....	11
	Appendix A .....	12

For purposes of this manual, the FallTech® Pass-Through Sling Anchors, Choker Sling Anchors, Cable Pass-Through Sling Anchors, and Cable Carabiner Sling Anchors in all iterations may be referred to collectively as the FallTech® Pass-Through Anchors, the Pass-Through Anchor, the Choker Sling Anchor, the Cable Pass-Through Anchor, the Anchorage Connector, the Anchor, the equipment, the device, the product, or the unit.

## 1.0 Warnings and Important Information

### **WARNING**

- Avoid moving machinery, thermal, electrical, and/or chemical hazards as contact may cause serious injury or death.
- Avoid swing falls.
- Follow the weight restrictions and recommendations in this manual.
- Remove from service any equipment subjected to fall arrest forces.
- Remove from service any equipment that fails inspection.
- Do not alter or intentionally misuse this equipment.
- Consult FallTech when using this equipment in combination with components or subsystems other than those described in this manual.
- Do not connect rebar hooks, large carabiners, or large snap hooks to the FBH dorsal D-rings as this may cause a roll-out condition and/or unintentional disengagement.
- Avoid sharp and/or abrasive surfaces and edges.
- Use caution when performing arc welding. Arc flash from arc welding operations, including accidental arcs from electrical equipment, can damage equipment and are potentially fatal.
- Examine the work area. Be aware of the surroundings and workplace hazards that may impact safety, security, and the functioning of fall arrest systems and components.
- Hazards may include but not be limited to cable or debris tripping hazards, equipment failures, personnel mistakes, moving equipment such as carts, barrows, fork lifts, cranes, or dollies. Do not allow materials, tools or equipment in transit to contact any part of the fall arrest system.
- Do not work under suspended loads.

### **IMPORTANT**

This product is part of a personal fall arrest, restraint, work positioning, suspension, or rescue system. A Personal Fall Arrest System (PFAS) is typically composed of an anchorage and a Full Body Harness (FBH), with a connecting device, i.e., an Energy Absorbing Lanyard (EAL), or a Self-Retracting Device (SRD), attached to the dorsal D-ring of the FBH.

These instructions must be provided to the worker using this equipment. The worker must read and understand the manufacturer's instructions for each component or part of the complete system. Manufacturer's instructions must be followed for proper use, care, and maintenance of this product. These instructions must be retained and be kept available for the worker's reference at all times. Alterations or misuse of this product, or failure to follow instructions, may result in serious injury or death.

A Fall Protection Plan must be on file and available for review by all workers. It is the responsibility of the worker and the purchaser of this equipment to assure that users of this equipment are properly trained in its use, maintenance, and storage. Training must be repeated at regular intervals. Training must not subject the trainee to fall hazards.

Consult a doctor if there is reason to doubt your fitness to safely absorb the shock of a fall event. Age and fitness seriously affect a worker's ability to withstand falls. Pregnant women or minors must not use this equipment.

Heavy users experience more risk of serious injury or death due to falls because of increased fall arrest forces placed on the user's body. In addition, the onset of suspension trauma after a fall even may be accelerated for heavy users.

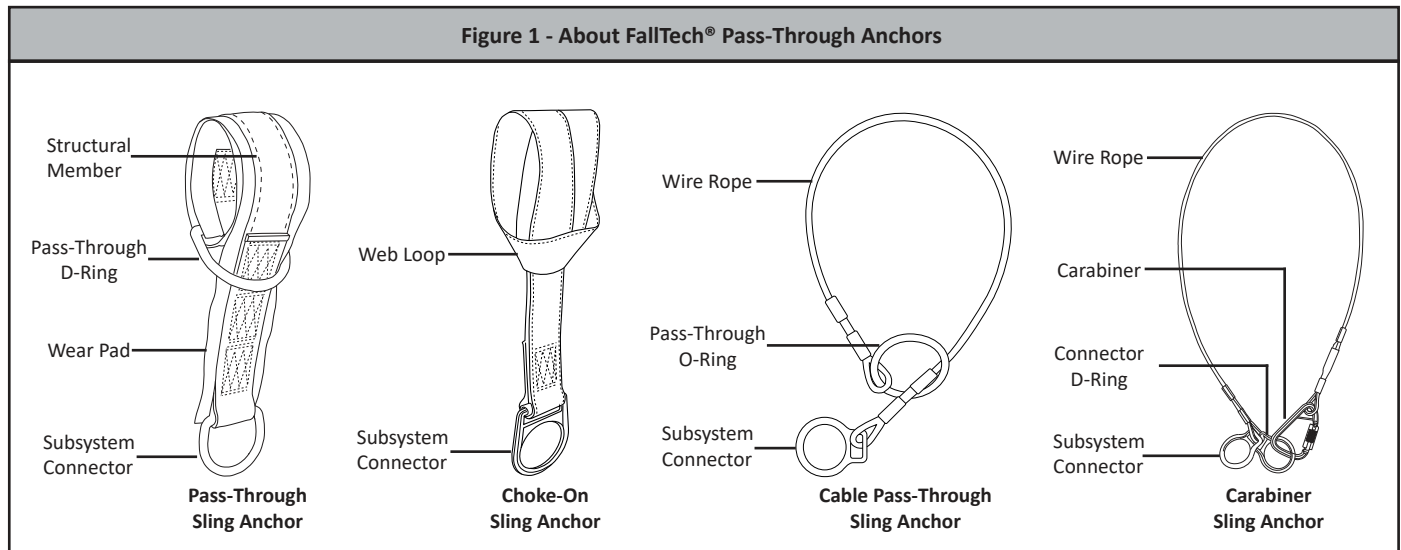
The user of the equipment discussed in this manual must read and understand the entire manual before beginning work.

NOTE: For more information consult the ANSI Z359 or CSA Z259 body of standards.

## 2.0 Description

The FallTech® Pass-Through Sling Anchors, Choker Sling Anchors, Cable Pass-Through Sling Anchors, and Cable Carabiner Sling Anchors are available in a wide variety of configurations to address the specific needs in most workplaces. See Figure 1 for a typical configuration.

The FallTech® Pass-Through Anchors are part of a Personal Fall Arrest System (PFAS) and come in four different styles; Sling Anchors, Choker Sling Anchors, Cable Pass-Through Sling Anchors, and Cable Carabiner Sling Anchors. When properly employed the FallTech® Anchors will allow the user to safely anchor to I-Beams and other constructs. The Pass-Through Sling Anchors, Choker Sling Anchors, Cable Pass-Through Sling Anchors are part of a PFAS requiring a compatible connector or device connected to the dorsal connection point on a Full Body Harness (FBH). The user is required to read and be familiar with all the instructions, labels, and warnings affixed to the FallTech® Pass-Through Anchor.



### **WARNING**

Be sure to read, understand, and follow all instructions and warnings in this manual.  
Any misuse could result in serious injury or death.

## 3.0 Application

**3.1 Purpose:** The FallTech® Pass-Through Sling Anchors, Choker Sling Anchors, Cable Pass-Through Sling Anchors, and Cable Carabiner Sling Anchors are designed to be used as a component in a Personal Fall Arrest System (PFAS), to provide a combination of worker mobility and fall protection as required for inspection work, general construction, maintenance work, oil production, confined space work, etc.

**3.2 Personal Fall Arrest System:** A PFAS is typically composed of an anchorage and a FBH, with an energy absorbing connecting device, i.e., a EAL, an SRD, or a Fall Arrestor Connecting Subsystem (FACSS), attached to the dorsal D-ring of properly fitted and adjusted FBH. All uses and applications of a FBH with this equipment requires the FBH to be properly fitted and adjusted to the user. Failure to properly fit the FBH to the user could result in serious injury or death.

**3.3 Application Limits:** The FallTech® Pass-Through Sling Anchors, Choker Sling Anchors, Cable Pass-Through Sling Anchors, and Cable Carabiner Sling Anchors are a dynamic anchorage subsystem that varies in its performance depending upon the length of the system, and the type of PFAS system used. Care should be taken to understand the capacity of the system, anchorage strength requirements, total allowable free fall, and the requirements how the user's PFAS deploys during a fall event. The longer the freefall, the greater the energy in the system and will result in more significant clearance requirements and impact forces on the body. Take action to avoid sharp edges, abrasive surfaces, and thermal, electrical, and chemical hazards.

**3.4 Approved Applications:** Below are applications for which all FallTech® Pass-Through Anchors are specifically suited. This list is not all-inclusive, but is intended to anticipate the most common applications in which this product may be used.

**3.4.1 Personal Fall Arrest:** The FallTech® Pass-Through Anchors used as the anchorage component of a PFAS to protect the user in the event of a fall. PFAS typically consists of an anchorage, a Full Body Harness (FBH), and a deceleration device such as a Energy Absorbing Lanyard (EAL) or Self Retracting Device (SRD). Maximum permissible free fall is 6 ft (1.8 m).

**3.4.2 Restraint:** The FallTech® Pass-Through Anchors may be used as a component of a restraint system to prevent the user from reaching a fall hazard. Restraint systems typically include a full body harness containing a body belt and a lanyard or restraint line.

**3.4.3 Work Positioning:** The FallTech® Pass-Through Anchors may be used as a component of a work positioning system to support the user at a work position. Work positioning systems typically include an FBH with integrated side D-rings, a body belt, and a positioning lanyard. A back up PFAS is required when the user is exposed to a free fall of 2 ft (1.8 m) or more.

**3.4.4 Personnel Riding:** The FallTech® Pass-Through Anchors may be used as a component of a personnel riding system to suspend or transport the user vertically. Personnel riding systems typically include a full body harness, bosun chair or seat board, and a back-up personal fall arrest system.

**3.4.5 Horizontal Lifelines:** The FallTech® Pass-Through Anchors are suitable for use in any application where a horizontal lifeline has been installed under the guidance of a qualified person, and where the Free-Fall Distance does not exceed 6 ft (1.8 m).

**3.4.6 Rescue:** The FallTech® Pass-Through Anchors may be used as an anchor in rescue operations that require specialized equipment beyond the scope of this manual.

## 4.0 System Requirements

**4.1 Capacity:** The Pass-Through Anchors covered in this manual, are ANSI and/or CSA compliant, with a listed single user capacity, including clothing, tools, etc. See Appendix A for capacity information. No more than one PFAS may be connected to Pass-Through Anchor at one time.

**4.2 Compatibility of Connectors:** Connectors are considered to be compatible with connecting elements when they have been designed to work together in such a way that their sizes and shapes do not cause their gate mechanisms to open inadvertently regardless of how they become oriented. Contact FallTech® if you have any questions about compatibility. Connectors must be compatible with the anchorage or other system components. Do not use equipment that is not compatible. Non-compatible connectors may unintentionally disengage. Connectors must be compatible in size, shape, and strength. Self-closing, self-locking connectors are required by ANSI, CSA, and OSHA.

**4.3 Making Connections:** Only use self-locking connectors with this equipment. Only use connectors that are suitable to each application. Ensure all connections are compatible in size, shape, and strength. Do not use equipment that is not compatible. Visually ensure all connectors are fully closed and locked. Connectors (snap hooks, rebar hooks, and carabiners) are designed for use only as specified in this manual.

**Figure 2 - Non-Compatible Connections**

<b>A</b>	Never connect two active components (snap hooks or carabiners) to each other.
<b>B</b>	Never connect two active components (snap hooks or carabiners) to a single D-ring at the same time.
<b>C</b>	Never connect in a way that would produce a condition of loading on the gate.
<b>D</b>	Never attach to a object in a manner whereby the gate (of the snap hook or carabiner) would be prevented from fully closing and locking. Always guard against false connections by visually inspecting for closure and lock.
<b>E</b>	Never attach explicitly to a constituent subcomponent (webbing, cable or rope) unless specifically provided for by the manufacturer's instructions for both subcomponents (snap hook or carabiner and webbing, cable or rope).
<b>F</b>	Never attach in a manner where an element of the connector (gate or release lever) may become caught on the anchor thereby producing additional risk of false engagement.
<b>G</b>	Never attach a spreader snap hook to two side/positioning D-rings in a manner whereby the D-rings will engage the gates; the gates on a spreader must always be facing away from the D-rings during work positioning.

**4.5 Personal Fall Arrest System:** PFAS used with this equipment must meet ANSI Z359 or CSA Z259 requirements. A full body harness must be worn when this equipment is used as a component of a PFAS. As required by OSHA, the personal fall arrest system must be able to arrest the user's fall with a maximum arresting force of 1,800 lbs (8 kN), and limit the free fall to 6 ft (1.8 m).

**4.6 Personal Fall Arrest System Anchorage Strength: PFAS Anchorage Strength:** An anchorage selected for PFAS must have a strength able to sustain a static load applied in the direction permitted by the PFAS of at least:

- a. Two times the maximum arrest force permitted when certification exists, or
- b. 5,000 lbs. (22.2 kN) in the absence of certification.

Select an anchorage location carefully. Consider structural strength, obstructions in the fall path, and swing fall hazards. In certain situations, the qualified person can determine that a given structure is able to withstand the applied MAF of the PFAS with a safety factor of at least two.

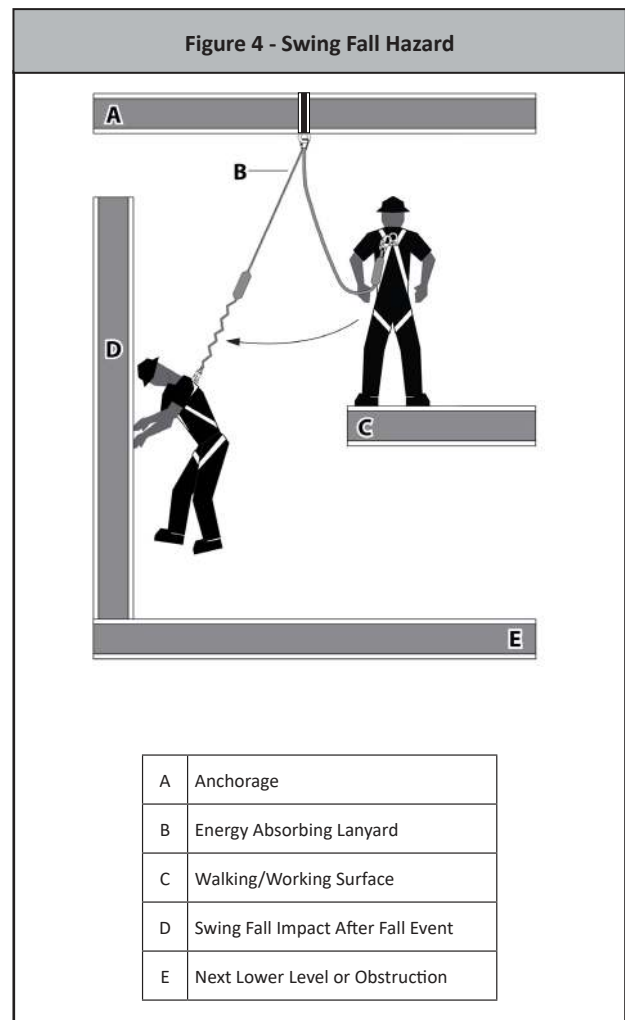
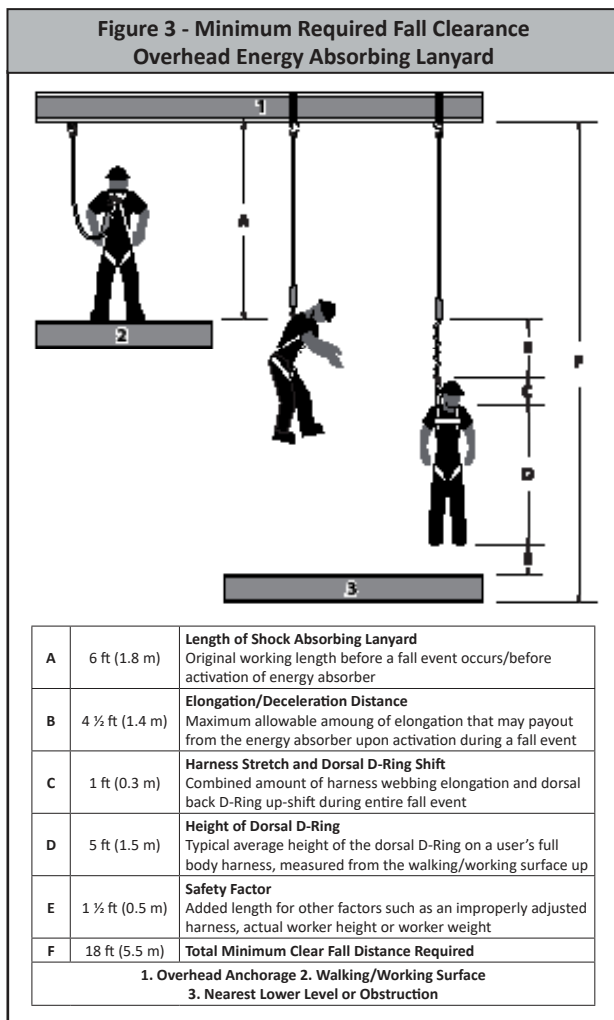
## 5.0 Installation and Use

### WARNING

Do not alter or intentionally misuse this equipment. Consult FallTech® when using this equipment in combination with components or subsystems other than those described in this manual. All components or subsystems used with the anchors discussed in this manual must be in compliance with ANSI Z359 or CSA Z259.

Take action to avoid sharp and/or abrasive surfaces and edges when possible.

- 5.1. Plan the Personal Fall Arrest System (PFAS):** Examine the work area and take action to address hazards. Falls are a serious hazard when working at height. Training and equipment are the tools of fall hazard management. There are several closely related facets of fall hazard management with a PFAS;
- Anchorage
  - Minimum Required Fall Clearance (MRFC)
  - Swing Fall and Expanded Work Zone
  - Overhead (above the FBH D-ring) Anchorage
  - Non-overhead (below the FBH D-ring) Anchorage
  - Rescue Plan
- 5.2. Anchorage:** Select a suitable anchor point. See Paragraph 4.6. To avoid an unintended disengagement of connectors, use only compatible connectors when connecting to the anchorage. Ensure all connectors close and lock securely.
- 5.3. Minimum Required Fall Clearance:** The MRFC is the minimum distance a user needs between himself and the nearest obstruction (or ground) below the walking/working surface to avoid serious injury or death in case of a fall event. The user of this equipment must determine the MRFC for units discussed in this manual to ensure adequate clearance exists in the fall path. Variables discussed in this manual include the height of the anchor point relative to the user's FBH D-ring, i.e., overhead, see Lanyard example in Figure 3.
- 5.4. Swing Fall:** A swing fall occurs when the worker moves laterally out from under the anchor and creates an expanded work zone condition. If a fall event occurs, the worker would swing back toward the anchorage, see Figure 4. The swinging action generates considerable force, and if the worker strikes an obstruction or the lower level, this force could cause severe injury or death.



**5.5 Pre-Use Inspection:** FallTech® requires that the following steps be taken during inspection prior to each use of this Pass-Through Anchor.

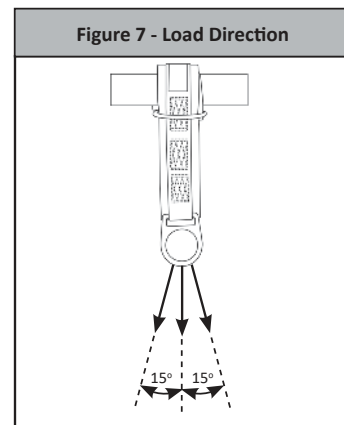
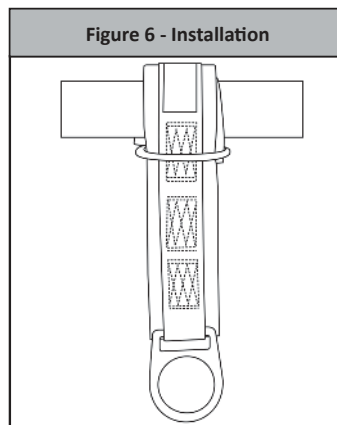
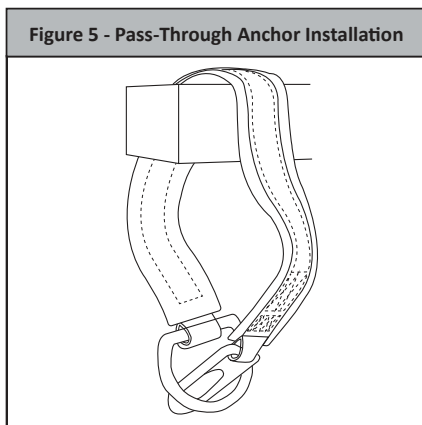
1. Check the webbing/cable and look for cuts, fraying and signs of damage from excessive wear or abrasion. Also look for excessive dirt, grease, oil, paint, or other surface contamination or discoloring. If any condition exists that compromises the integrity of the webbing, changes the general properties or feel of the webbing or limits/restricts the adjustment of the webbing, immediately remove the Pass-Through Anchor from service.
2. Check all stitch locations. Ensure that each stitch box and bar-tack is intact with no loose, frayed or torn threads. If any of the stitch locations shows signs of damage or excessive wear, immediately remove the anchor from service.

**5.6 Pass-Through Sling Anchor Installation:** Ensure that the rated structural member is free of sharp, jagged, or abrasive edges.

1. Place the Pass-Through Sling Anchor over the top of the structural member with the labels facing upward. The large D-ring will be hanging on one side and the small D-ring is hanging on the other. Pass the small D-ring through the large D-ring, see Figure 5. Cinch the Web Pass-Thru Sling Anchor down tight, see Figure 6.

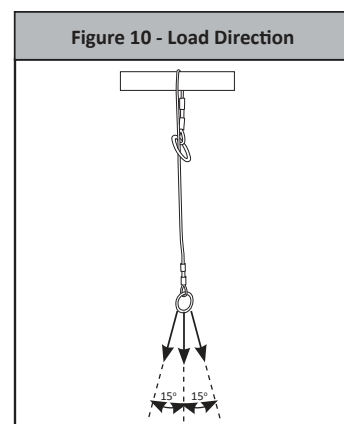
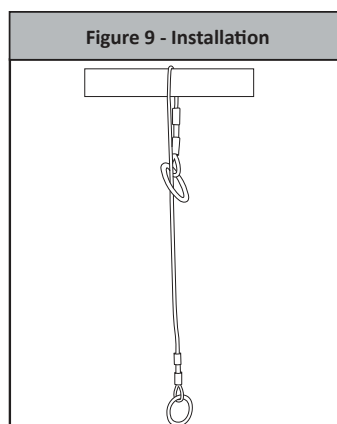
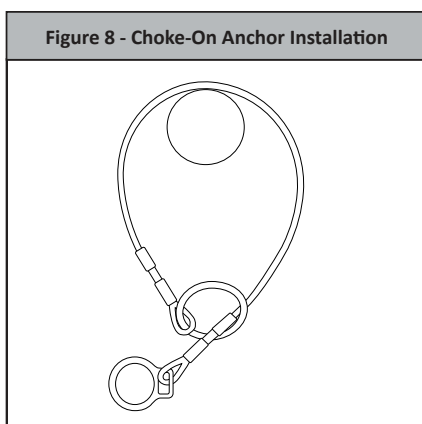
The anchor's effective length may be shortened by wrapping around the and passing the small D-ring through the large D-ring more than one time. The yellow wear pad must be installed on the anchorage side as shown on Figure 5.

2. Ensure that the Pass-Through Sling Anchor cannot come off of the structural member at any point along the intended path of movement or at joints or ends.
3. If the structural member that this Pass-Through Sling Anchor is attached to is sloped or vertical, the anchor must be positioned next to a stop which will prevent it from sliding or moving in the event of a fall. The load direction must not exceed 15° as shown in Figure 7.



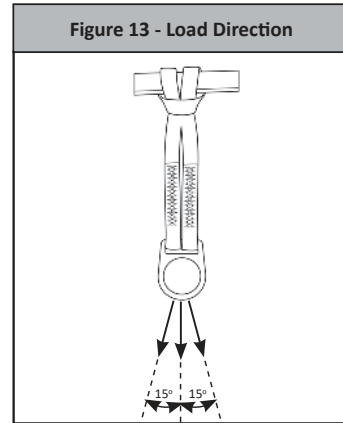
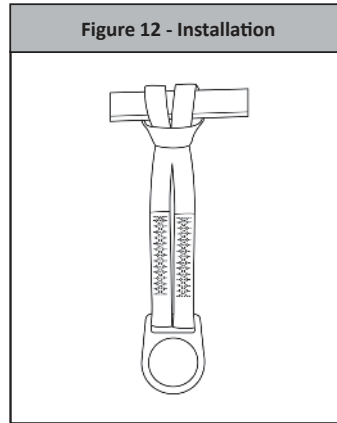
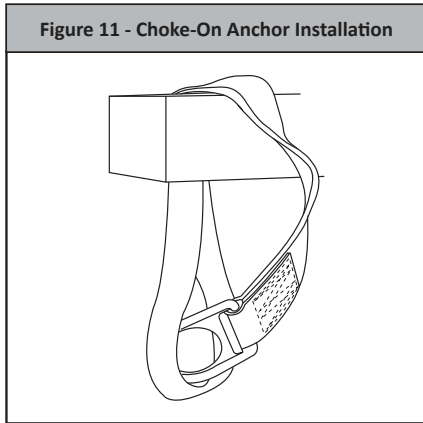
**5.7 Cable Pass-Through Sling Anchor Installation:** Ensure that the rated structural member is free of sharp, jagged, or abrasive edges.

1. Place the Cable Pass-Through Sling Anchor over the top of the structural member with the large O-ring hanging on one side and the smaller D-Ring or O-ring is hanging on the other. Pass the D-ring through the O-ring, see Figure 8, and cinch the Cable Pass-Through Anchor down tight, see Figure 9.
2. Ensure ensure that the Cable Pass-Through Sling Anchor cannot come off of the structural member at any point along the intended path of movement or at joints or ends.
3. If the structural member that this Cable Pass-Through Sling Anchor is attached to is sloped or vertical, the anchor must be positioned next to a stop which will prevent it from sliding or moving in the event of a fall. The load direction must not exceed 15° as shown in Figure 10.



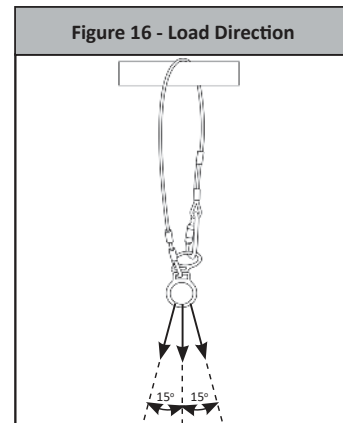
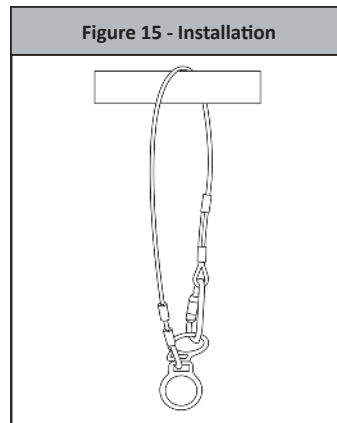
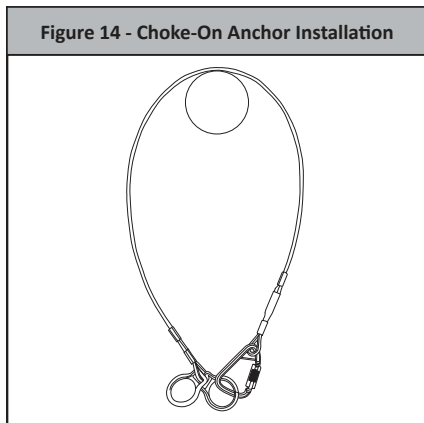
**5.8 Choke-On Sling Anchor Installation:** Ensure that the rated structural member is free of sharp, jagged, or abrasive edges.

1. Place the Choke-On Sling Anchor over the top of the structural member with web loop is hanging on one side and the D-ring hanging on the other. Pass the D-ring or O-ring through the web loop, see Figure 11 and cinch the Choke-On Anchor down tight, see Figure 12.
2. Ensure ensure that the Choke-On Sling Anchor cannot come off of the structural member at any point along the intended path of movement or at joints or ends.
3. If the structural member that this Choke-On Sling Anchor is attached to is sloped or vertical, the anchor must be positioned next to a stop which will prevent it from sliding or moving in the event of a fall. The load direction must not exceed 15° as shown in Figure 13.



**5.9 Cable Carabiner Anchor Installation:** Ensure that the rated structural member is free of sharp, jagged, or abrasive edges.

1. Place the Cable Carabiner Sling Anchor over the top of the structural member with the carabiner hanging on one side and the two D-rings hanging on the other, see Figure 14. Connect the carabiner to one of the two D-rings, see Figure 15. The unattached D-ring shall be used as the attachment point.
2. Ensure ensure that the Cable Carabiner Sling Anchor cannot come off of the structural member at any point along the intended path of movement or at joints or ends.
3. If the structural member that this Cable Carabiner Sling Anchor is attached to is sloped or vertical, the anchor must be positioned next to a stop which will prevent it from sliding or moving in the event of a fall. The load direction must not exceed 15° as shown in Figure 16.



## 6.0 Maintenance, Service, and Storage

**6.1 Maintenance:** Clean the Pass-Through Anchor with water and mild detergent. Do not allow excessive build-up of dirt, paint or other agents that may cause damage or hardening of the web fibers on any webbing. Hardening of the fibers of the web from external elements may result in a loss of strength or alter the properties of the web in a manner that could cause the Pass-Through Anchor to fail or to operate and perform correctly.

### 6.2 Proper Care

- Keep the Pass-Through Anchor clean and free of contaminants, this will greatly increase the service life.
- Mold and mildew due to damp storage will reduce the service life.
- Use a damp rag and a mild soap and water solution to clean the hardware. Wipe the hardware dry with a clean soft cloth.
- **DO NOT** use heat to dry.
- **DO NOT** use any solvents or petroleum products to clean this anchor.
- **DO NOT** attempt to repair or modify this Pass-Through Anchor or any of its components. Such attempts will void the warranty and may result in serious injury or death.

**6.3 Storage:** Store in a clean, dry and chemical free environment and kept out of direct sunlight.

## 7.0 Inspection

**7.1 Pre-Use Inspection:** Please review the Pre-Use Inspection guidelines in Section 5.4 for inspection requirements.

**7.2 Inspection Frequency:** FallTech requires all fall protection equipment to be inspected by a competent person other than the user at least once each year or more frequently if the conditions exist. FallTech strongly recommends that a competent person conducts a hazard assessment of the environment and determines the length of the inspection intervals due to the site conditions. The annual inspection shall be recorded on an inspection log, including all deficiencies. This inspection should also be used as an opportunity to train any authorized persons with respect to deficiencies that they have failed to observe on their daily inspections.

Inspection Frequency				
Type of Use	Application Examples	Example Conditions of Use	Worker Inspection Frequency	Competent Person Inspection Frequency
Infrequent to Light Use	Rescue and confined space, factory maintenance	Good storage conditions, indoor or infrequent outdoor use, room temperature, clean environments	Before each use	Annually
Moderate to Heavy Use	Transportation, residential construction, utilities, warehouse	Fair storage conditions, indoor and extended outdoor use, all temperatures, clean or dusty environments	Before each use	Semi-annually to annually
Severe to Continuous Use	Commercial construction, oil and gas, mining, foundry	Harsh storage conditions, prolonged or continuous outdoor use, all temperatures, dirty environments	Before each use	Quarterly to semi-annually

**7.3 Inspection Results:** If an inspection reveals defects in or damage to the equipment, inadequate maintenance or activated fall indicators, remove the equipment from service.



## 8.0 Labels

The labels must be present and legible.

<p><b>FallTech</b> 800-719-4619 Web Anchor Sling Style #: C7372 CSA Z259.15-2017 Class A ANSI Z359.18-2017 Type T Working Load Limit: 2,268 kg (5,000 lbs) Minimum Breaking Strength 5,000 lbs</p>	<p>Date of Manufacture (Date de Fabrication) MAR 2020 Serial # (Numéro de Série): 12345678 Material (Matériel): Polyester Web Size (Grandeur): 1.8 m (6 ft)</p>	 <p>412-0374 Rev A</p>
--	---	---

○ **INSPECTION!** Inspect the anchor before each use. Semi-annual inspection by a competent person is recommended. Do not use if inspection reveals unsafe or defective condition. Remove the anchor from service immediately if it has been subjected to fall arrest forces. See the user instruction manual for complete inspection procedures.

○ **INSPECTION!** Inspectez l'ancrage avant chaque utilisation. Une inspection semestrielle par une personne compétente est recommandée. Ne pas utiliser si l'inspection révèle une condition dangereuse ou défectueuse. Retirer l'ancrage du service immédiatement si elle a été soumise à des forces antichute. Voir le manuel d'instructions de l'utilisateur pour connaître les procédures d'inspection complètes.

412-03739 Rev A

○ MARK OR PUNCH ON DATE GRID:  
A) INITIAL IN-SERVICE DATE  
B) DATE OF PASSED INSPECTION

○ MARQUE OU PUNCH SUR DATE GRILLE:  
A) DATE DE MISE EN SERVICE INITIALE  
B) DATE DE L'INSPECTION RÉUSSIE

Date:	Initials:																		

412-03740 Rev A


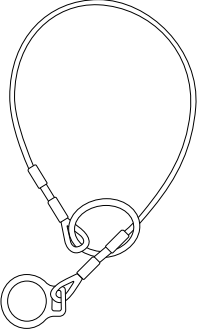
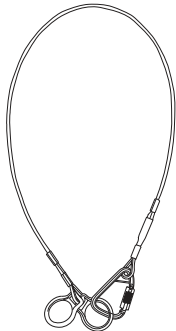
○ **WARNING!** THIS EQUIPMENT IS DESIGNED FOR USE AS A FALL PROTECTION ANCHOR. USER MUST READ AND FOLLOW INSTRUCTIONS SUPPLIED WITH THIS PRODUCT AT TIME OF SHIPMENT. FAILURE TO DO SO MAY RESULT IN SERIOUS INJURY OR DEATH. AVOID CONTACT WITH SHARP EDGES, ABRASIVE SURFACES, CHEMICALS, SALT WATER, ACIDS, AND ALKALINES. MAKE ONLY COMPATIBLE CONNECTIONS. SEE INSTRUCTIONS FOR RESTRICTIONS ON USE WITH COMPONENTS, SUBSYSTEMS, OR SYSTEMS WITH WHICH THIS PRODUCT IS DESIGNED TO BE USED. SEE INSTRUCTIONS FOR INSPECTION PROCEDURES.

412-03741 Rev A

○ **ATTENTION!** CET ÉQUIPEMENT EST CONÇU POUR ÊTRE UTILISÉ COMME ANCRAGE ANTI-CHUTE. L'UTILISATEUR DOIT LIRE ET SUIVRE LES INSTRUCTIONS FOURNIES AVEC CE PRODUIT AU MOMENT DE L'EXPÉDITION. LE NON-RESPECT DE CET ÉTAPE PEUT ENTRAÎNER DES BLESSURES GRAVES OU LA MORT. ÉVITER LE CONTACT AVEC LES BORDS COUPANTS, LES SURFACES ABRASIVES, LES PRODUITS CHIMIQUES, L'EAU SELLE, LES ACIDES ET LES ALCALINES. NE FAITES QUE DES CONNEXIONS COMPATIBLES. CONSULTEZ LES INSTRUCTIONS POUR LES RESTRICTIONS LORS DE L'UTILISATION DE COMPOSANTS, SOUS-SYSTEMES OU SYSTEMES UTILISÉS POUR CE PRODUIT. VOIR LES INSTRUCTIONS POUR LES PROCÉDURES D'INSPECTION.

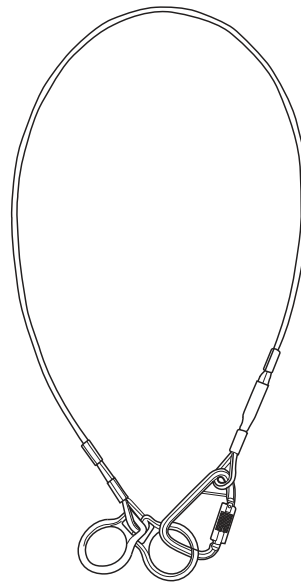
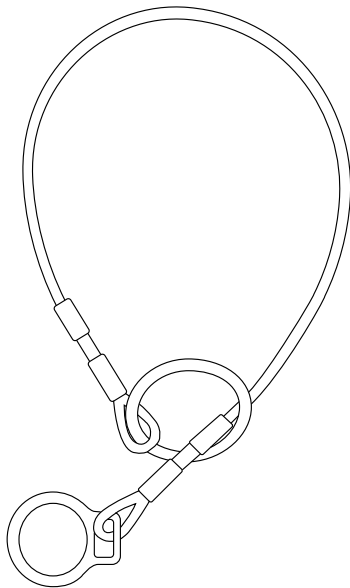
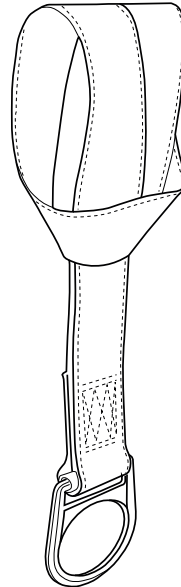
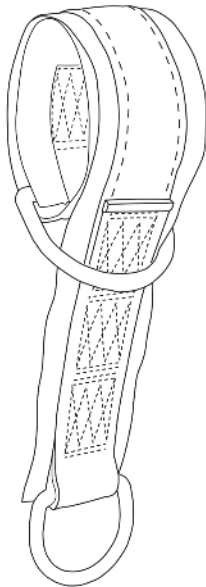
412-04476 Rev A

Table 1A: Specifications for FallTech Pass-Through Anchors

Item #	Description and Dimensions	Minimum Material Tensile Strength	ANSI Z359.18	CSA Z259.15	OSHA 1926.502	Image
7324	2 ft (0.6 m)	<b>Alloy Steel D-Ring:</b> 5,000 lbs (22.2 kN) Min  <b>Polyester Webbing:</b> 5,000 lbs (22.2 kN) Min	✓		✓	
7336	3 ft (0.9 m)		✓		✓	
C7336				✓		
7348	4 ft (1.2 m)		✓		✓	
C7348				✓		
7372	6 ft (1.8 m)		✓		✓	
C7372				✓		
737208	8 ft (2.4 m)		✓		✓	
737210	10 ft (3 m)		✓		✓	
7373	12 ft (3.7 m)		✓		✓	
C7373					✓	
737214	14 ft (4.3 m)		✓		✓	
737220	20 ft (6.1 m)		✓		✓	
737224	24 ft (7.3 m)		✓		✓	
737230	30 ft (9.1 m)		✓		✓	
7214	17 in (0.43 m)			✓	✓	
7218	18 in (0.45 m)			✓		
7218LT				✓		
7224	24 in (0.6 m)	✓	✓	✓		
7236	36 in (0.9 m)	✓	✓	✓		
722448	48 in (1.2 m)	✓	✓	✓		
7272	72 in (1.8 m)	✓	✓	✓		
7244	72 in (1.8 m)			✓		
7245	36 in (0.9 m)	<b>Alloy Steel D-Ring:</b>		✓		
72493FT		5,000 lbs (22.2 kN) Min		✓		
72494FT	48 in (1.2 m)	<b>Kevlar Webbing:</b>		✓		
72496FT	72 in (1.8 m)	5,000 lbs (22.2 kN) Min		✓		
7427	4 ft (1.2 m)			✓		
7428	6 ft (1.8 m)			✓		
742808	8 ft (2.4 m)	<b>Alloy Steel D-Ring:</b>		✓		
742712	12 ft (3.7 m)	5,000 lbs (22.2 kN) Min		✓		
74373FT	3 ft (0.9 m)	<b>Alloy Steel O-Ring:</b>		✓		
7437	4 ft (1.2 m)	5,000 lbs (22.2 kN) Min		✓		
7438	6 ft (1.8 m)	<b>PVC Coated Wire Rope:</b>		✓		
743807	7 ft (2.1 m)	5,000 lbs (22.2 kN) Min		✓		
743808	8 ft (2.4 m)	<b>Galvanized Wire Rope:</b>		✓		
743810	10 ft (3 m)	5,000 lbs (22.2 kN) Min		✓		
743820	20 ft (6.1 m)			✓		
84202D3	3 ft (0.9 m)	<b>Alloy Steel D-Ring:</b>	✓		✓	
84202D4	4 ft (1.2 m)	5,000 lbs (22.2 kN) Min	✓		✓	
84202D	6 ft (1.8 m)	<b>Alloy Steel Snap Hook:</b>	✓		✓	
84202D8FT	8 ft (2.4 m)	5,000 lbs (22.2 kN) Min with 3,600 lbs (16 kN) Gate Strength	✓		✓	
84202D10	10 ft (3 m)		✓		✓	
84202DC3	3 ft (0.9 m)	<b>PVC Coated Wire Rope:</b>	✓		✓	
84202DC4	4 ft (1.2 m)	5,000 lbs (22.2 kN) Min	✓		✓	
84202DC	6 ft (1.8 m)	<b>Galvanized Wire Rope:</b>	✓		✓	
84202DC8	8 ft (2.4 m)	5,000 lbs (22.2 kN) Min	✓		✓	

## Anclajes con paso

Manual de instrucciones para el usuario



El objetivo de este manual es cumplir con las instrucciones del fabricante según lo exige el American National Standards Institute (ANSI) Z359 y la Canadian Standards Association (CSA) Z259 y debe utilizarse como parte de un programa de capacitación para empleados según lo establece la Administración de Seguridad y Salud Ocupacional ( OSHA).

## ÍNDICE

1.0	Advertencias e información importante .....	15
2.0	Descripción .....	16
3.0	Aplicación.....	16
4.0	Requisitos del sistema .....	17
5.0	Instalación y uso .....	18
6.0	Mantenimiento, reparación y almacenamiento. ....	21
7.0	Inspección .....	21
8.0	Etiquetas .....	23
	Apéndice A.....	24

Para los fines de este manual, los anclajes de eslinga con paso de FallTech®, los anclajes de eslinga tipo gargantilla, los anclajes de eslinga con paso de cable y los anclajes de eslinga de mosquetón con cable en todas las iteraciones se pueden denominar colectivamente como los anclajes con paso de FallTech®, el anclaje con paso, el anclaje de eslinga tipo gargantilla, el anclaje con paso de cable, el conector de anclaje, el ancla, el equipo, el dispositivo, el producto o la unidad.

## 1.0 Advertencias e información importante

### **ADVERTENCIA**

- Evite los peligros de maquinaria, térmicos, eléctricos y/o químicos, ya que el contacto puede causar lesiones graves o la muerte.
- Evite las caídas con balanceo.
- Tenga en cuenta las restricciones relacionadas con el peso y las recomendaciones que se dan en este manual.
- Retire del servicio cualquier equipo que se vea sometido a fuerzas de detención de caídas.
- Retire del servicio cualquier equipo que no apruebe los procesos de revisión.
- No modifique o utilice intencionalmente de manera equivocada este equipo.
- Consulte con FallTech cuando pretenda utilizar este equipo en combinación con elementos o subsistemas diferentes a los descritos en este manual.
- No conecte al anillo en "D" dorsal del FBH ganchos de barras de refuerzo, mosquetones grandes o ganchos de presión grandes, ya que esto puede provocar un lanzamiento y/o desenganche involuntario.
- Evite superficies y bordes cortantes y/o abrasivos.
- Sea cuidadoso cuando realice soldadura por arco. Los destellos de arco que pueden producirse en las operaciones de soldadura por arco, incluyendo arcos eléctricos accidentales que se produzcan en el equipo de soldadura, pueden dañar éste y son potencialmente mortales.
- Revise el área de trabajo. Esté pendiente de las condiciones del entorno y de los riesgos laborales que puedan afectar la seguridad, el nivel de protección y el funcionamiento, de los sistemas y elementos integrantes de prevención de caídas.
- Los peligros pueden incluir entre otros, riesgos de tropiezo debido a cables sueltos o desperdicios regados en el piso, fallas del equipo, descuidos del personal, y desplazamiento de equipos tales como carretas, carretillas montacargas, grúas o plataformas rodantes. No permita que ningún material, herramienta o equipo en tránsito, entre en contacto con parte alguna del sistema de detención de caídas.
- No trabaje por debajo de cargas suspendidas.

### **IMPORTANTE**

Este producto es parte de un sistema personal de detención de caídas, restricción, posicionamiento en el trabajo, suspensión o rescate. Un sistema personal de detención de caídas (PFAS) generalmente se compone de un anclaje y un arnés de cuerpo completo (FBH), con un dispositivo de conexión, es decir, una cuerda de absorción de energía (EAL), o un dispositivo de autorretracción (SRD), conectado al anillo en D dorsal del FBH.

Estas instrucciones se deben entregar al trabajador junto con este equipo. El trabajador debe leer y comprender las instrucciones que el fabricante da para cada componente o pieza del sistema completo. Las instrucciones del fabricante deben ser tenidas en cuenta para dar el uso, cuidado y mantenimiento correctos, de este producto. Estas instrucciones deben conservarse y tenerse en todo momento a disposición del trabajador para su referencia. Las modificaciones o el mal uso de este producto, o el desconocimiento de las instrucciones, pueden ocasionar lesiones graves o incluso la muerte.

Un Plan de Protección Contra Caídas debe estar disponible en el archivo para su revisión por parte de todos los trabajadores. Tanto el trabajador como el comprador de este equipo son responsables de garantizar que las personas que lo utilicen estén debidamente capacitadas para su uso, mantenimiento y almacenamiento. La capacitación debe repetirse periódicamente. La capacitación no debe someter a la persona que la toma a situaciones que impliquen peligro de caída.

Consulte a un médico si hay razones para dudar de su aptitud para absorber con seguridad el impacto de un evento de caída. La edad y el estado físico afectan gravemente a la capacidad de los trabajadores para soportar caídas. Las mujeres embarazadas y los menores de edad no deben utilizar este equipo.

Los usuarios pesados experimentan un mayor riesgo de lesiones graves o muerte debido a caídas a causa del aumento de las fuerzas de detención de caídas colocadas en el cuerpo del usuario. Además, la aparición de traumatismos por suspensión después de una caída puede incluso acelerarse para usuarios pesados.

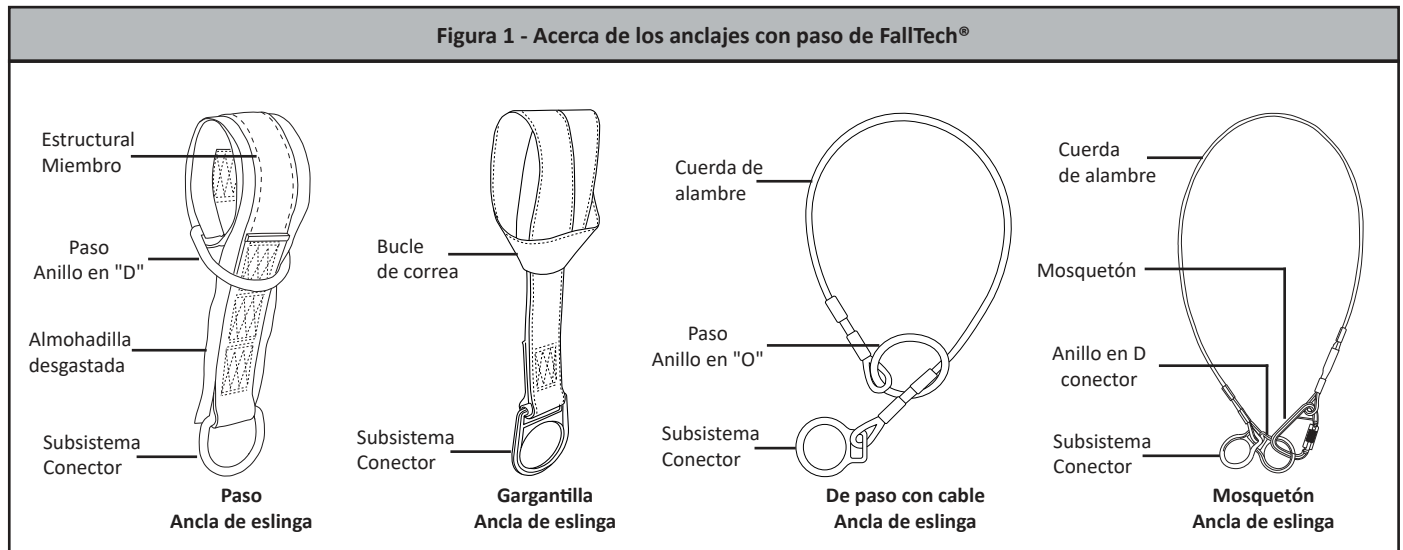
El usuario del equipo que se describe en este manual debe leer y comprender el manual completo antes de empezar a trabajar con él.

NOTA: Para obtener más información, consulte el corpus normativo ANSI Z359 o CSA Z259.

## 2.0 Descripción

Los anclajes de eslinga con paso de FallTech®, los anclajes de eslinga tipo gargantilla, los anclajes de eslinga con paso de cable y los anclajes de eslinga de mosquetón con cable están disponibles en una amplia variedad de configuraciones para satisfacer las necesidades específicas en la mayoría de los lugares de trabajo. Consulte la Figura 1 para una configuración típica.

Los anclajes con paso de FallTech® son parte de un sistema personal de detención de caídas (PFAS) y vienen en cuatro estilos diferentes; anclas de eslinga, anclas de eslinga tipo gargantilla, anclas de eslinga con paso de cable y anclas de eslinga de mosquetón con cable. Cuando se emplean adecuadamente, los anclajes FallTech® permitirán al usuario anclar con seguridad a vigas en I y otras construcciones. Los anclajes de eslinga con paso, los anclajes de eslinga tipo gargantilla, los anclajes de eslinga con paso de cable son parte de un PFAS que requiere un conector o dispositivo compatible conectado al punto de conexión dorsal en un arnés de cuerpo completo (FBH). Se requiere que el usuario lea y esté familiarizado con todas las instrucciones, etiquetas y advertencias colocadas en el anclaje con paso de FallTech®.



### **ADVERTENCIA**

Asegúrese de leer, comprender y seguir todas las instrucciones y advertencias de este manual.  
Cualquier mal uso podría provocar lesiones graves o la muerte.

## 3.0 Aplicación

- 3.1 Propósito:** los anclajes de eslinga con paso de FallTech®, los anclajes de eslinga tipo gargantilla, los anclajes de eslinga con paso de cable y los anclajes de eslinga de mosquetón con cable están diseñados para usarse como un componente en un sistema personal de detención de caídas (PFAS), para proporcionar una combinación de movilidad de los trabajadores y protección contra caídas según sea necesario para trabajos de inspección, construcción general, trabajos de mantenimiento, producción de petróleo, trabajos en espacios confinados, etc.
- 3.2 Sistema personal de detención de caídas:** un PFAS generalmente está compuesto por un anclaje y un FBH, con un dispositivo de conexión de absorción de energía, es decir, un EAL, un SRD o un subsistema de conexión de detención de caídas (FACSS), unido al anillo D dorsal de FBH debidamente colocado y ajustado. Todos los usos y aplicaciones de un FBH con este equipo requieren que el FBH esté correctamente colocado y ajustado al usuario. Si no se ajusta correctamente el FBH al usuario, se pueden producir lesiones graves o la muerte.
- 3.3 Límites de aplicación:** los anclajes de eslinga con paso de FallTech®, los anclajes de eslinga tipo gargantilla, los anclajes de eslinga con paso de cable y los anclajes de eslinga de mosquetón con cable son un subsistema de anclaje dinámico que varía en su rendimiento según la longitud del sistema y el tipo de sistema PFAS utilizado. Se debe tener cuidado para comprender la capacidad del sistema, los requisitos de resistencia de anclaje, la caída libre total permitida y los requisitos de cómo se despliega el PFAS del usuario durante un evento de caída. Cuanto más larga sea la caída libre, mayor será la energía en el sistema y dará como resultado requisitos de espacio libre más significativos y fuerzas de impacto en el cuerpo. Tome medidas para evitar bordes afilados, superficies abrasivas y riesgos térmicos, eléctricos y químicos.
- 3.4 Aplicaciones aprobadas:** a continuación se presentan las aplicaciones para las cuales todos los anclajes con paso de FallTech® son específicamente adecuados. Esta lista no incluye todo, pero tiene la intención de anticipar las aplicaciones más comunes en las que se puede usar este producto.
- 3.4.1 Protección personal contra caídas:** los anclajes con paso de FallTech® utilizados como componente de anclaje de un PFAS para proteger al usuario en caso de una caída. El PFAS generalmente consiste en un anclaje, un arnés de cuerpo completo (FBH) y un dispositivo de desaceleración, como un cordón de absorción de energía (EAL) o un dispositivo autorretráctil (SRD). La caída libre máxima permitida es de 6 pies (1.8 m).
- 3.4.2 Restricción:** los anclajes con paso de FallTech® pueden usarse como un componente de un sistema de restricción para evitar que el usuario alcance un peligro de caída. Los sistemas de retención típicamente incluyen un arnés de cuerpo completo que contiene un cinturón para el cuerpo y un cordón o cuerda de restricción.

**3.4.3 Posicionamiento del trabajo:** los anclajes con paso de FallTech® se pueden usar como un componente de un sistema de posicionamiento de trabajo para apoyar al usuario en un puesto de trabajo. Los sistemas de posicionamiento de trabajo generalmente incluyen un FBH con anillos en D laterales integrados, un cinturón para el cuerpo y un cordón de posicionamiento. Se requiere un PFAS de respaldo cuando el usuario está expuesto a una caída libre de 2 pies (1.8 m) o más.

**3.4.4 Conducción de personal:** los anclajes con paso de FallTech® se pueden usar como un componente de un sistema de conducción de personal para suspender o transportar al usuario verticalmente. Los sistemas de conducción de personal generalmente incluyen un arnés de cuerpo completo, una silla o tabla de asiento y un sistema de detención de caídas personal de respaldo.

**3.4.5 Cuerdas de salvamento horizontales:** las anclas con paso de FallTech® son adecuados para su uso en cualquier aplicación en la que se haya instalado una cuerda de salvamento horizontal bajo la guía de una persona calificada, y donde la distancia de caída libre no supere los 6 pies (1.8 m).

**3.4.6 Rescate:** los anclajes con paso de FallTech® pueden usarse como un ancla en operaciones de rescate que requieren equipo especializado más allá del alcance de este manual.








## 4.0 Requisitos del sistema

**4.1 Capacidad:** los anclajes con paso cubiertos en este manual cumplen con ANSI y/o CSA, con una capacidad de usuario único en la lista, que incluye ropa, herramientas, etc. Consulte el Apéndice A para obtener información sobre la capacidad. No se puede conectar más de un PFAS al ancla con paso a la vez.

**4.2 Compatibilidad de los conectores:** se considera que los conectores son compatibles con los elementos de conexión cuando se han diseñado para trabajar juntos de tal manera que sus tamaños y formas no provoquen que sus mecanismos de compuerta se abran inadvertidamente, independientemente de cómo estén orientados. Póngase en contacto con FallTech® si tiene alguna pregunta sobre la compatibilidad. Los conectores deben ser compatibles con el anclaje u otros componentes del sistema. No utilice equipos que no sean compatibles. Los conectores no compatibles pueden desconectarse involuntariamente. Los conectores deben ser compatibles en tamaño, forma y resistencia. ANSI, CSA y OSHA requieren conectores de bloqueo y cierre automáticos.

**4.3 Realización de conexiones:** utilice únicamente conectores de bloqueo automático con este equipo. Utilice únicamente conectores que sean adecuados para cada aplicación. Asegúrese de que todas las conexiones sean compatibles en tamaño, forma y resistencia. No utilice equipos que no sean compatibles. Visualmente asegúrese de que todos los conectores estén completamente cerrados y bloqueados. Los conectores (ganchos de seguridad, ganchos de refuerzo y mosquetones) están diseñados para usarse solo como se especifica en este manual.

Figura 2 - Conexiones no compatibles

  	<p><b>A</b> Nunca conecte dos componentes activos (ganchos de seguridad o mosquetones) entre sí.</p> <p><b>B</b> Nunca conecte dos componentes activos (ganchos de seguridad o mosquetones) a un solo anillo en D al mismo tiempo.</p> <p><b>C</b> Nunca conecte de una manera que produzca una condición de carga en la puerta.</p> <p><b>D</b> Nunca conecte a un objeto de manera que la compuerta (del gancho de seguridad o mosquetón) no pueda cerrar y bloquear completamente. Siempre protéjase contra conexiones falsas inspeccionando visualmente el cierre y la cerradura.</p> <p><b>E</b> Nunca lo conecte explícitamente a un subcomponente constituyente (correa, cable o cuerda) a menos que las instrucciones del fabricante lo proporcionen específicamente para ambos subcomponentes (gancho de seguridad o mosquetón y correa, cable o cuerda).</p> <p><b>F</b> Nunca lo conecte de manera que un elemento del conector (compuerta o palanca de liberación) pueda quedar atrapado en el anclaje, lo que puede generar un riesgo adicional de acoplamiento falso.</p> <p><b>G</b> Nunca coloque un gancho de seguridad en los dos anillos en D laterales o de posición de manera que los anillos en D encajen en las compuertas; las puertas de un esparcidor siempre deben estar alejadas de los anillos en D durante el posicionamiento de trabajo.</p>
   	

**4.5 Sistema personal de detención de caídas:** el PFAS utilizado con este equipo debe cumplir con los requisitos de ANSI Z359 o CSA Z259. Se debe usar un arnés de cuerpo completo cuando este equipo se usa como un componente de un PFAS. Según lo requerido por OSHA, el sistema personal de detención de caídas debe ser capaz de detener la caída del usuario con una fuerza de detención máxima de 1,800 libras (8 kN) y limitar la caída libre a 1.8 m (6 pies).

**4.6 Resistencia de anclaje de sistema personal de detención de caídas:** Resistencia de anclaje de PFAS: un anclaje seleccionado para PFAS debe tener una resistencia capaz de soportar una carga estática aplicada en la dirección permitida por el PFAS de al menos:

- Dos veces la fuerza de detención máxima permitida cuando existe la certificación, o
- 5,000 libras (22,2 kN) en ausencia de certificación.

Seleccione una ubicación de anclaje con cuidado. Considere la resistencia estructural, las obstrucciones en el camino de caída y los riesgos de caída por oscilación. En ciertas situaciones, la persona calificada puede determinar que una estructura dada puede resistir el MAF aplicado del PFAS con un factor de seguridad de al menos dos.

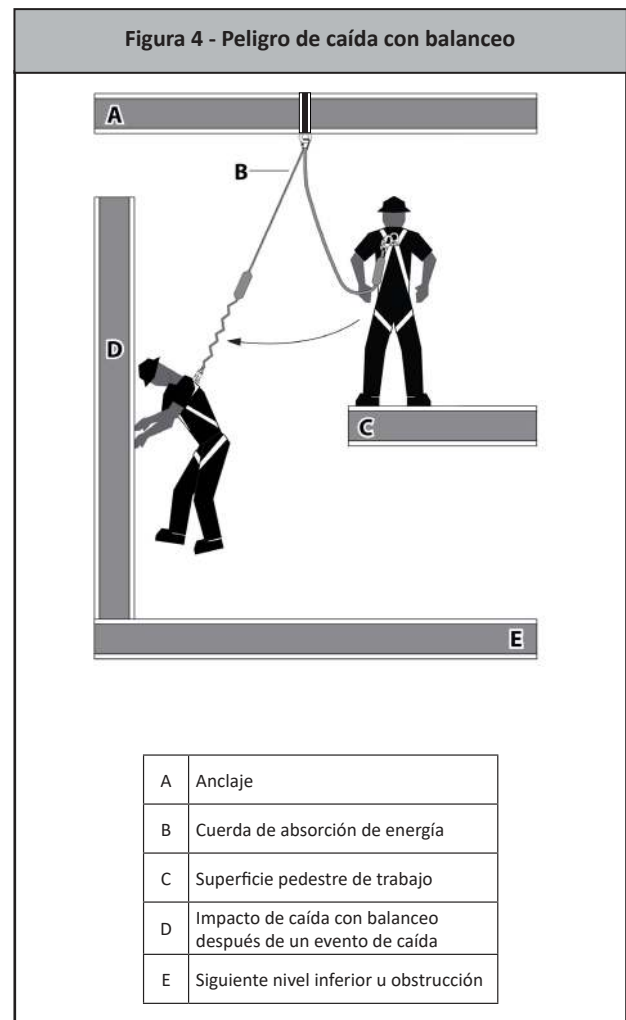
## 5.0 Instalación y uso

### ⚠ ADVERTENCIA

No altere ni maltrate intencionalmente este equipo. Consulte a FallTech® cuando use este equipo en combinación con componentes o subsistemas que no sean los descritos en este manual. Todos los componentes o subsistemas utilizados con los anclajes descritos en este manual deben cumplir con ANSI Z359 o CSA Z259.

Tome medidas para evitar superficies y bordes afilados y/o abrasivos cuando sea posible.

- 5.1. Planifique el sistema personal de detención de caídas (PFAS):** examine el área de trabajo y tome medidas para abordar los peligros. Las caídas son un peligro grave cuando se trabaja en altura. La capacitación y el equipo son las herramientas para el control del riesgo de caídas. Hay varias facetas estrechamente relacionadas del control del riesgo de caídas con un PFAS;
- Anclaje
  - Distancia despejada mínima requerida en una caída (MRFC, por sus siglas en inglés)
  - Caída con balanceo y zona de trabajo extendida
  - Anclaje en parte superior (sobre el anillo en D del FBH)
  - Anclaje no superior (debajo del anillo en D del FBH)
  - Plan de rescate
- 5.2. Anclaje:** seleccione un punto de anclaje adecuado. Consulte el Párrafo 4.6. Para evitar una desconexión involuntaria de los conectores, use solo conectores compatibles al conectar al anclaje. Asegúrese de que todos los conectores se cierren y bloqueen de forma segura.
- 5.3. Distancia despejada de caída mínima requerida:** el MRFC es la distancia mínima que un usuario necesita entre él y la obstrucción (o suelo) más cercana debajo de la superficie de desplazamiento/trabajo para evitar lesiones graves o la muerte en caso de una caída. El usuario de este equipo debe determinar el parámetro MRFC para las unidades discutidas en este manual para asegurar que exista una distancia despejada adecuada en el trayecto de la caída. Las variables discutidas en este manual incluyen la altura del punto de anclaje en relación con el anillo en D del FBH del usuario, es decir, arriba, vea el ejemplo de Cuerda en la Figura 3.
- 5.4. Caída con balanceo:** una caída con balanceo ocurre cuando el trabajador se mueve lateralmente hacia afuera desde abajo del ancla y crea una condición de zona de trabajo expandida. Si ocurre un evento de caída, el trabajador se balanceará hacia el anclaje, vea la Figura 4. La acción de balanceo genera una fuerza considerable, y si el trabajador golpea una obstrucción o el nivel inferior, esta fuerza podría causar lesiones graves o la muerte.



**5.5 Inspección previa al uso:** FallTech® requiere que se sigan los siguientes pasos durante la inspección antes de cada uso de este ancla con paso.

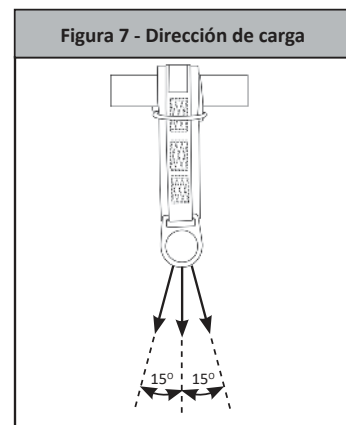
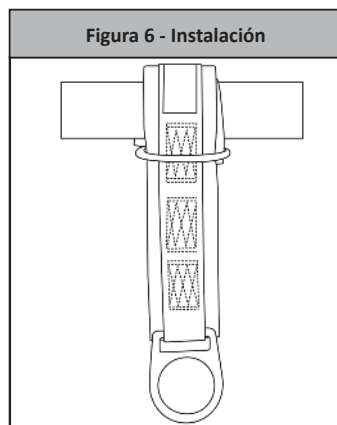
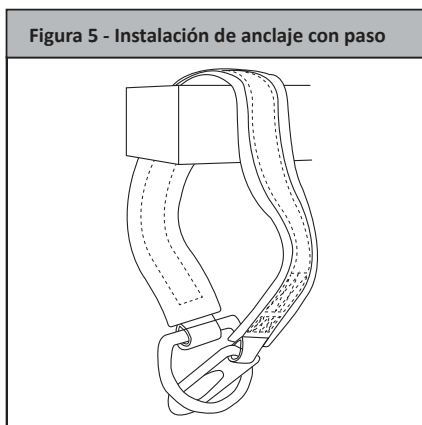
1. Revise las correas/cable y busque cortes, deshiladuras y signos de daños por desgaste excesivo o abrasión. También busque suciedad excesiva, grasa, aceite, pintura u otra contaminación o decoloración de la superficie. Si existe alguna condición que comprometa la integridad de las correas, cambie las propiedades generales o la sensación de las correas o limite/restrinja el ajuste de las correas, retire inmediatamente el ancla con paso del servicio.
2. Verifique todas las ubicaciones de las puntadas. Asegúrese de que cada caja e hilvanado esté intacto sin hilos sueltos, deshilachados o rasgados. Si alguna de las ubicaciones de las puntadas muestra signos de daño o desgaste excesivo, retire inmediatamente el ancla del servicio.

**5.6 Instalación de anclaje de eslinga con paso:** asegúrese de que el miembro estructural clasificado no tenga bordes afilados, dentados o abrasivos.

1. Coloque el anclaje de eslinga con paso sobre la parte superior del miembro estructural con las etiquetas hacia arriba. El anillo en D grande colgará de un lado y el anillo en D pequeño colgará del otro. Pase el anillo en D pequeño a través del anillo en D grande, vea la Figura 5. Sujete bien el anclaje de la correa para pasar la tela por la correa, vea la Figura 6.

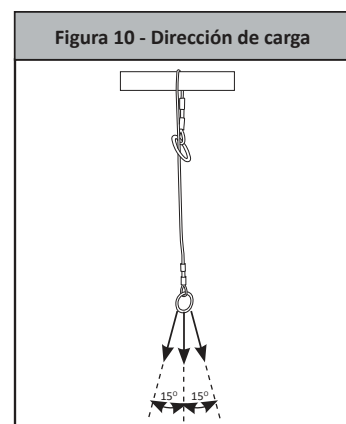
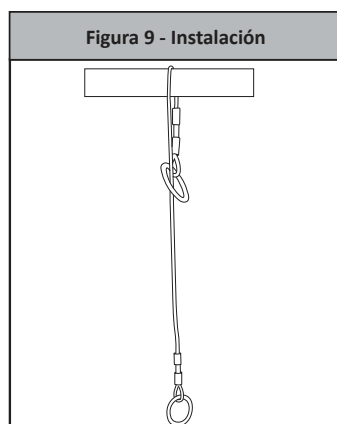
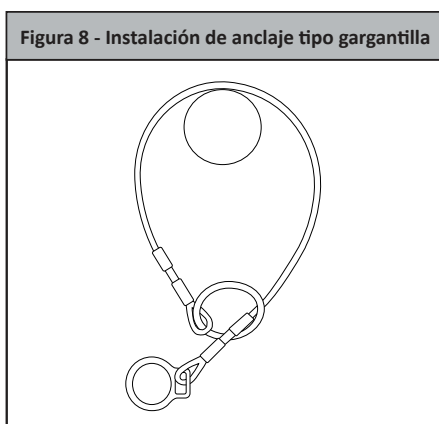
La longitud efectiva de los anclajes se puede acortar envolviendo y pasando el anillo en D pequeño a través del anillo en D grande más de una vez. La almohadilla de desgaste amarilla debe instalarse en el lado del anclaje como se muestra en la Figura 5.

2. Asegúrese de que el anclaje de eslinga con paso no pueda escapar del miembro estructural en ningún punto a lo largo de la trayectoria de movimiento prevista o en las juntas o extremos.
3. Si el miembro estructural al que está unido este anclaje de eslinga con paso está inclinado o vertical, el ancla debe colocarse junto a un tope que evitará que se deslice o se mueva en caso de una caída. La dirección de carga no debe exceder los 15° como se muestra en la Figura 7.



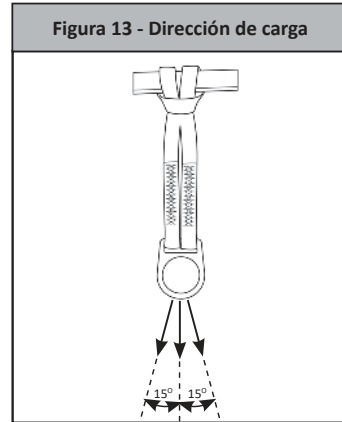
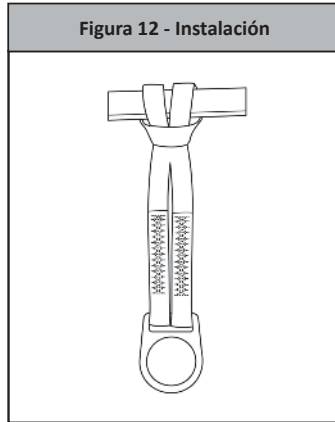
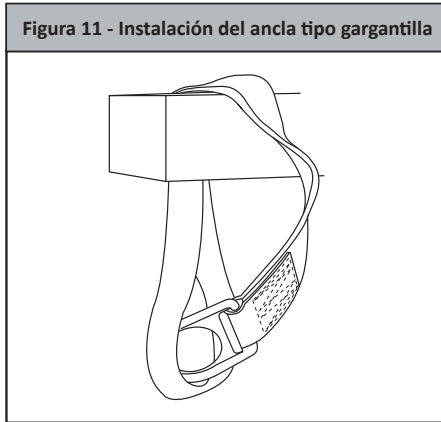
**5.7 Instalación del anclaje de eslinga con paso de cable:** asegúrese de que el miembro estructural clasificado no tenga bordes afilados, dentados o abrasivos.

1. Coloque el anclaje de eslinga con paso de cable sobre la parte superior del miembro estructural con la junta tórica grande colgando de un lado y el anillo en D pequeño o la junta tórica más pequeña colgando del otro. Pase el anillo en D a través de la junta tórica, vea la Figura 8, y sujete el ancla con paso de cable hacia abajo, vea la Figura 9.
2. Asegúrese de que el anclaje de eslinga con paso de cable no pueda salir del miembro estructural en ningún punto a lo largo de la trayectoria de movimiento prevista o en las juntas o extremos.
3. Si el miembro estructural al que está unido este anclaje de eslinga con paso de cable está inclinado o en posición vertical, el ancla debe colocarse junto a un tope que evitará que se deslice o se mueva en caso de una caída. La dirección de carga no debe exceder los 15° como se muestra en la Figura 10.



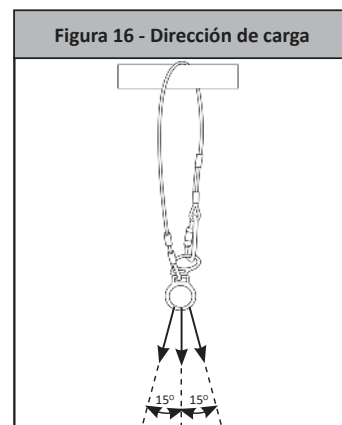
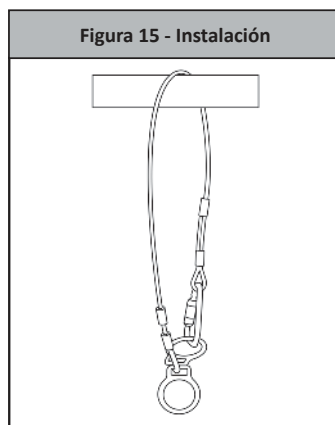
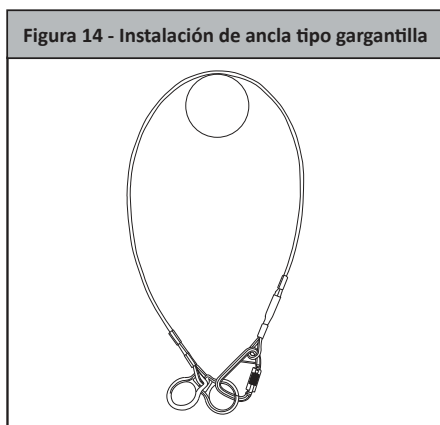
**5.8 Instalación del anclaje de eslinga tipo gargantilla: asegúrese de que el miembro estructural clasificado no tenga bordes afilados, dentados o abrasivos.**

1. Coloque el anclaje de eslinga tipo gargantilla sobre la parte superior del miembro estructural con el bucle de correa colgando de un lado y el anillo en D colgando del otro. Pase el anillo en D o la junta tórica a través del bucle de banda, vea la Figura 11 y sujete firmemente el anclaje tipo gargantilla, vea la Figura 12.
2. Asegúrese de que el anclaje de eslinga tipo gargantilla no pueda salir del miembro estructural en ningún punto a lo largo de la trayectoria de movimiento prevista o en las juntas o extremos.
3. Si el miembro estructural al que está unido este anclaje de eslinga tipo gargantilla está inclinado o en posición vertical, el anclaje debe colocarse junto a un tope que evitará que se deslice o se mueva en caso de una caída. La dirección de carga no debe exceder los 15o como se muestra en la Figura 13.



**5.9 Instalación del anclaje del mosquetón de cable: asegúrese de que el miembro estructural nominal no tenga bordes afilados, dentados o abrasivos.**

1. Coloque el ancla de eslinga del mosquetón de cable sobre la parte superior del miembro estructural con el mosquetón colgando de un lado y los dos anillos en D colgando del otro, vea la Figura 14. Conecte el mosquetón a uno de los dos anillos en D, vea la Figura 15. El anillo en D no conectado se utilizará como punto de unión.
2. Asegúrese de que el anclaje de eslinga del mosquetón de cable no pueda desprenderse del miembro estructural en ningún punto a lo largo de la trayectoria de movimiento prevista o en las juntas o extremos.
3. Si el miembro estructural al que está unido este anclaje de eslinga de mosquetón de cable está inclinado o en posición vertical, el anclaje debe colocarse junto a un tope que evitará que se deslice o se mueva en caso de una caída. La dirección de carga no debe exceder los 15o como se muestra en la Figura 16.



## 6.0 Mantenimiento, servicio y almacenamiento

**6.1 Mantenimiento:** limpie el ancla con paso con agua y detergente suave. No permita la acumulación excesiva de suciedad, pintura u otros agentes que puedan dañar o endurecer las fibras en cualquier correa. El endurecimiento de las fibras de la correa a partir de elementos externos puede dar como resultado una pérdida de resistencia o alterar las propiedades de la correa de una manera que podría causar que el anclaje con falle o funcione incorrectamente.

### 6.2 Cuidado apropiado

- Mantenga el anclaje con paso limpio y libre de contaminantes, esto aumentará considerablemente la vida útil.
- El moho y los hongos debido al almacenamiento húmedo reducirán la vida útil.
- Use un trapo húmedo y una solución de agua y jabón suave para limpiar el hardware. Seque el hardware con un paño suave y limpio.
- NO utilice el calor para secar.
- NO use disolventes ni productos derivados del petróleo para limpiar este ancla.
- NO intente reparar o modificar este anclaje con paso o cualquiera de sus componentes. Tales intentos anularán la garantía y pueden provocar lesiones graves o la muerte.

**6.3 Almacenamiento:** almacene en un ambiente limpio, seco y libre de químicos y alejado de la luz solar directa.

## 7.0 Inspección

**7.1 Inspección previa al uso:** revise las pautas de inspección previa al uso en la Sección 5.4 para conocer los requisitos de inspección.

**7.2 Frecuencia de inspección:** FallTech requiere que todo el equipo de protección contra caídas sea inspeccionado por una persona competente que no sea el usuario al menos una vez al año o con mayor frecuencia si existen las condiciones. FallTech recomienda encarecidamente que una persona competente realice una evaluación de peligros del medio ambiente y determine la duración de los intervalos de inspección debido a las condiciones del sitio. La inspección anual se documentará en un registro de inspección, incluidas todas las deficiencias. Esta inspección también se debe utilizar como una oportunidad para capacitar a cualquier persona autorizada con respecto a las deficiencias que no hayan observado en sus inspecciones diarias.

Frecuencia de inspección				
Tipo de uso	Ejemplos de aplicación	Ejemplo de condiciones de uso	Frecuencia de inspección del trabajador	Frecuencia de inspección por persona competente
Infrecuente al uso ligero	Rescate y espacios confinados, mantenimiento de fábrica.	Buenas condiciones de almacenamiento, uso en interiores o poco frecuentes al aire libre, temperatura ambiente, ambientes limpios	Antes de cada uso	Anualmente
Uso moderado a pesado	Transporte, construcción residencial, servicios públicos, almacén.	Condiciones de almacenamiento justas, uso interior y exterior prolongado, todas las temperaturas, ambientes limpios o polvorientos	Antes de cada uso	Semestral a anual
Uso severo a continuo	Construcciones comerciales, petróleo y gas, minería, fundición.	Condiciones de almacenamiento duras, uso exterior prolongado o continuo, todas las temperaturas, ambientes sucios	Antes de cada uso	Trimestral a semestral

**7.3 Resultados de la inspección:** si una inspección revela defectos o daños en el equipo, mantenimiento inadecuado o indicadores de caída activados, retire el equipo del servicio.



## 8.0 Etiquetas

Las etiquetas deben estar presentes y ser legibles.

<p><b>FallTech</b> 800-719-4619 Web Anchor Sling Style #: C7372 CSA Z259.15-2017 Class A ANSI Z359.18-2017 Type T Working Load Limit: 2,268 kg (5,000 lbs) Minimum Breaking Strength 5,000 lbs</p>	<p>Date of Manufacture (Date de Fabrication) MAR 2020 Serial # (Numéro de Série): 12345678 Material (Matériel): Polyester Web Size (Grandeur): 1.8 m (6 ft)</p>	 <p>412-0374 Rev A</p>
--	---	---

INSPECTION! Inspect the anchor before each use. Semi-annual inspection by a competent person is recommended. Do not use if inspection reveals unsafe or defective condition. Remove the anchor from service immediately if it has been subjected to fall arrest forces. See the user instruction manual for complete inspection procedures.

INSPECTION! Inspectez l'ancrage avant chaque utilisation. Une inspection semestrielle par une personne compétente est recommandée. Ne pas utiliser si l'inspection révèle une condition dangereuse ou défectueuse. Retirer l'ancrage du service immédiatement si elle a été soumise à des forces d'arrêt de chute. Voir le manuel d'instructions de l'utilisateur pour connaître les procédures d'inspection complètes.

412-03739 Rev A

MARK OR PUNCH ON DATE GRID:  
A) INITIAL IN-SERVICE DATE  
B) DATE OF PASSED INSPECTION

MARQUE OU PUNCH SUR DATE GRILLE:  
A) DATE DE MISE EN SERVICE INITIALE  
B) DATE DE L'INSPECTION RÉUSSIE

Date:	Initials:																		
-------	-----------	--	--	--	--	--	--	--	--	--	--	--	--	--	--	--	--	--	--

412-03740 Rev A


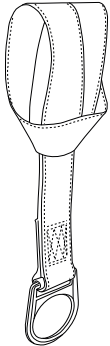
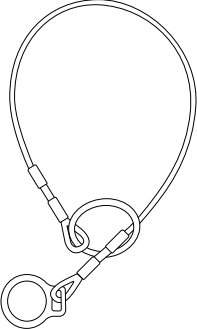
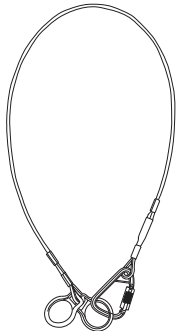
WARNING! THIS EQUIPMENT IS DESIGNED FOR USE AS A FALL PROTECTION ANCHOR. USER MUST READ AND FOLLOW INSTRUCTIONS SUPPLIED WITH THIS PRODUCT AT TIME OF SHIPMENT. FAILURE TO DO SO MAY RESULT IN SERIOUS INJURY OR DEATH. AVOID CONTACT WITH SHARP EDGES, ABRASIVE SURFACES, CHEMICALS, SALT WATER, ACIDS, AND ALKALINES. MAKE ONLY COMPATIBLE CONNECTIONS. SEE INSTRUCTIONS FOR RESTRICTIONS ON USE WITH COMPONENTS, SUBSYSTEMS, OR SYSTEMS WITH WHICH THIS PRODUCT IS DESIGNED TO BE USED. SEE INSTRUCTIONS FOR INSPECTION PROCEDURES.

412-03741 Rev A

ATTENTION! CET ÉQUIPEMENT EST CONÇU POUR ÊTRE UTILISÉ COMME ANCRAGE ANTI-CHUTE. L'UTILISATEUR DOIT LIRE ET SUIVRE LES INSTRUCTIONS FOURNIES AVEC CE PRODUIT AU MOMENT DE L'EXPÉDITION. LE NON-RESPECT DE CET ÉTAPE PEUT ENTRAÎNER DES BLESSURES GRAVES OU LA MORT. ÉVITER LE CONTACT AVEC LES BORDS COUPANTS, LES SURFACES ABRASIVES, LES PRODUITS CHIMIQUES, L'EAU SELLE, LES ACIDES ET LES ALCALINES. NE FAITES QUE DES CONNEXIONS COMPATIBLES. CONSULTEZ LES INSTRUCTIONS POUR LES RESTRICTIONS LORS DE L'UTILISATION DE COMPOSANTS, SOUS-SYSTEMES OU SYSTEMES UTILISÉS POUR CE PRODUIT. VOIR LES INSTRUCTIONS POUR LES PROCÉDURES D'INSPECTION.

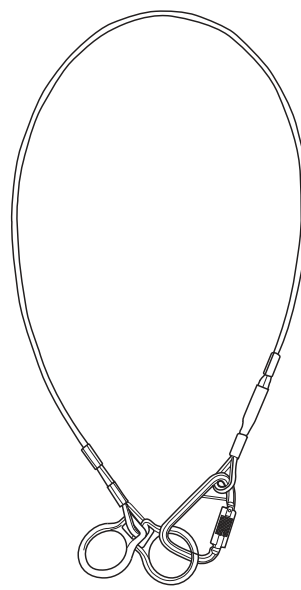
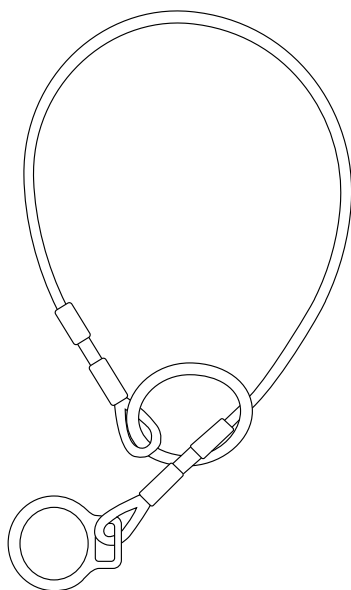
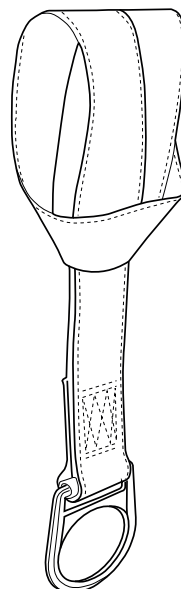
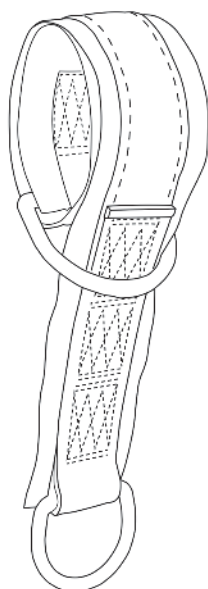
412-04476 Rev A

Tabla 1A: Especificaciones para los anclajes con paso FallTech

Nº de artículo	Descripción y dimensiones	Resistencia a la tracción mínima del material	ANSI Z359.18	CSA Z259.15	OSHA 1926.502	Imagen			
7324	2 pies (0.6 m)	<b>Anillo en D de aleación de acero:</b> 5,000 libras (22.2 kN) Mín.	✓		✓				
7336	3 pies (0.9 m)		✓		✓				
C7336				✓					
7348	4 pies (1.2 m)		✓		✓				
C7348				✓					
7372	6 pies (1.8 m)		✓		✓				
C7372				✓					
737208	8 pies (2.4 m)		✓		✓				
737210	10 pies (3 m)		✓		✓				
7373	12 pies (3.7 m)		✓		✓				
C7373				✓					
737214	14 pies (4.3 m)		✓		✓				
737220	20 pies (6.1 m)		<b>Correas de poliéster:</b> 5,000 libras (22.2 kN) Mín.	✓			✓		
737224	24 pies (7.3 m)			✓			✓		
737230	30 pies (9.1 m)			✓			✓		
7214	17 pulg. (0.43 m)			✓	✓		✓		
7218	18 pulg. (0.45 m)		<b>Correas de Kevlar:</b> 5,000 libras (22.2 kN) Mín.				✓		
7218LT									✓
7224	24 pulg. (0.6 m)	✓		✓	✓				
7236	36 pulg. (0.9 m)	✓		✓	✓				
722448	48 pulg. (1.2 m)	✓		✓	✓				
7272	72 pulg. (1.8 m)	✓		✓	✓				
7244	72 pulg. (1.8 m)	<b>Anillo en D de aleación de acero:</b> 5,000 libras (22.2 kN) Mín.				✓			
7245	36 pulg. (0.9 m)					✓			
72493FT						✓			
72494FT	48 pulg. (1.2 m)					✓			
72496FT	72 pulg. (1.8 m)				✓				
7427	4 pies (1.2 m)	<b>Anillo en D de aleación de acero:</b> 5,000 libras (22.2 kN) Mín.				✓			
7428	6 pies (1.8 m)					✓			
742808	8 pies (2.4 m)					✓			
742712	12 pies (3.7 m)			<b>Junta tórica de aleación de acero:</b> 5,000 libras (22.2 kN) Mín.					✓
74373FT	3 pies (0.9 m)								✓
7437	4 pies (1.2 m)			<b>Cuerda de alambre recubierta de PVC:</b> 5,000 libras (22.2 kN) Mín.					✓
7438	6 pies (1.8 m)								✓
743807	7 pies (2.1 m)		<b>Cuerda de alambre galvanizado:</b> 5,000 libras (22.2 kN) Mín.			✓			
743808	8 pies (2.4 m)					✓			
743810	10 pies (3 m)				✓				
743820	20 pies (6.1 m)				✓				
84202D3	3 pies (0.9 m)		<b>Anillo en D de aleación de acero:</b> 5,000 libras (22.2 kN) Mín.  <b>Gancho de aleación de acero:</b> 5,000 libras (22.2 kN) Mín. con 3,600 libras (16 kN) Resistencia de compuerta	✓		✓			
84202D4	4 pies (1.2 m)	✓			✓				
84202D	6 pies (1.8 m)	✓			✓				
84202D8FT	8 pies (2.4 m)	✓			✓				
84202D10	10 pies (3 m)	✓			✓				
84202DC3	3 pies (0.9 m)	<b>Cuerda de alambre recubierta de PVC:</b> 5,000 libras (22.2 kN) Mín.		✓		✓			
84202DC4	4 pies (1.2 m)			✓		✓			
84202DC	6 pies (1.8 m)	<b>Cuerda de alambre galvanizado:</b> 5,000 libras (22.2 kN) Mín.		✓		✓			
84202DC8	8 pies (2.4 m)			✓		✓			

## Ancre de passage

### Manuel de l'utilisateur



Ce manuel est conçu en conformité avec les consignes du fabricant, tel que requis par l'American National Standards Institute (ANSI) Z359 et l'Association canadienne de normalisation (CSA) et doit être utilisé comme partie intégrante du programme de formation des employés, tel que requis par l'Occupational Safety and Health Administration (OSHA).

## Table des matières

1.0	Avertissements et informations importantes .....	27
2.0	Description.....	28
3.0	Utilisation.....	28
4.0	Exigences du système .....	29
5.0	Installation et utilisation .....	30
6.0	Entretien, service et entreposage .....	33
7.0	Inspection .....	33
8.0	Étiquettes.....	35
	Annexe A.....	36

Aux fins du présent manuel, les ancrages de passage pour élingues FallTech®, les ancrages pour élingues à étranglement, les ancrages pour élingues à passage de câble et les ancrages pour élingues à mousqueton de câble, dans toutes leurs versions, peuvent être désignés collectivement comme les ancrages de passage FallTech®, l'ancre de passage, l'ancrage pour élingues à étranglement, l'ancrage pour passage de câble, le connecteur d'ancrage, l'ancrage, l'équipement, le dispositif, le produit ou l'unité.

## 1.0 Avertissements et informations importantes

### **AVERTISSEMENT**

- Évitez de déplacer des machines et de les exposer à des risques thermiques, électriques ou chimiques, car tout contact avec le produit peut entraîner des blessures graves, voire la mort.
- Évitez les chutes balancées.
- Respectez les restrictions de poids et les recommandations de ce manuel.
- Mettez hors service tout équipement soumis à des forces antichute.
- Mettez hors service tout équipement qui échoue à l'inspection.
- N'altérez pas l'équipement intentionnellement et utilisez-le correctement.
- Consultez FallTech lorsque vous utilisez cet équipement en combinaison avec des composants ou sous-systèmes autres que ceux décrits dans ce manuel.
- Ne pas connecter d'émerillon ou de gros mousqueton aux anneaux dorsaux en D du harnais corporel complet, car cela pourrait provoquer une condition de décrochage ou un désengagement involontaire.
- Évitez les surfaces et les bords tranchants ou abrasifs.
- Soyez prudent lorsque vous effectuez des soudures à l'arc. Les étincelles causées par les opérations de soudage à l'arc, y compris les arcs électriques accidentels, peuvent endommager l'équipement et sont potentiellement mortelles.
- Examinez la zone de travail. Soyez conscient de l'environnement et des dangers qui peuvent avoir un impact sur la sécurité, la sûreté et le fonctionnement des dispositifs et des composants des systèmes de blocage de chute.
- Les dangers peuvent inclure, sans s'y limiter, les risques de chute de câbles ou de débris, les pannes d'équipement, les erreurs d'effectifs, le déplacement d'équipement comme les chariots, les brouettes, les chariots élévateurs à fourche, les grues ou les charrettes à billes. Ne pas laisser le matériel, les outils ou l'équipement en transit entrer en contact avec une partie quelconque du système de blocage de chute.
- Ne pas travailler sous des charges suspendues.

### **IMPORTANT**

Ce produit fait partie d'un système de blocage de chute, de limitation, de positionnement au travail, de suspension ou de sauvetage. Un système de blocage de chute individuel est généralement composé d'un ancrage et d'un harnais corporel complet, avec un dispositif de connexion, c'est-à-dire un cordon amortisseur d'énergie ou un dispositif auto-rétracteur, attaché à l'anneau dorsal en D du harnais corporel complet.

Ces instructions doivent être fournies à l'utilisateur de l'équipement en question. Le travailleur doit lire et comprendre les consignes du fabricant pour chaque composante ou partie du système complet. Les consignes du fabricant doivent être suivies rigoureusement lors de l'utilisation, l'entretien et la maintenance de ce produit. Ces consignes doivent être conservées et maintenues à la disposition du travailleur de façon à ce qu'il puisse s'y référer à tout moment. Toute utilisation incorrecte de ce produit et le non-respect des consignes peuvent entraîner des blessures graves, voire la mort.

Un plan de protection antichute doit demeurer disponible pour consultation et accessible à tous les travailleurs. Il est de la responsabilité du travailleur et de l'acheteur de cet équipement de s'assurer que les destinataires de cet équipement sont correctement formés à son utilisation, son entretien et son entreposage. La formation doit être renouvelée à intervalles réguliers et ne doit pas exposer l'apprenant à des risques de chute.

Consultez un médecin si vous doutez de votre aptitude à absorber le choc d'une chute en toute sécurité. L'âge et la condition physique affectent inévitablement la capacité d'un travailleur à résister aux chutes. Les femmes enceintes ou les mineurs ne doivent pas utiliser cet équipement.

Les utilisateurs physiquement lourds courent davantage de risques de blessures graves ou de décès dus à des chutes, en raison de l'augmentation des forces de blocage de chute sur le corps de l'utilisateur. De plus, l'apparition d'un choc par suspension après une chute est plus courante chez les personnes physiquement lourdes.

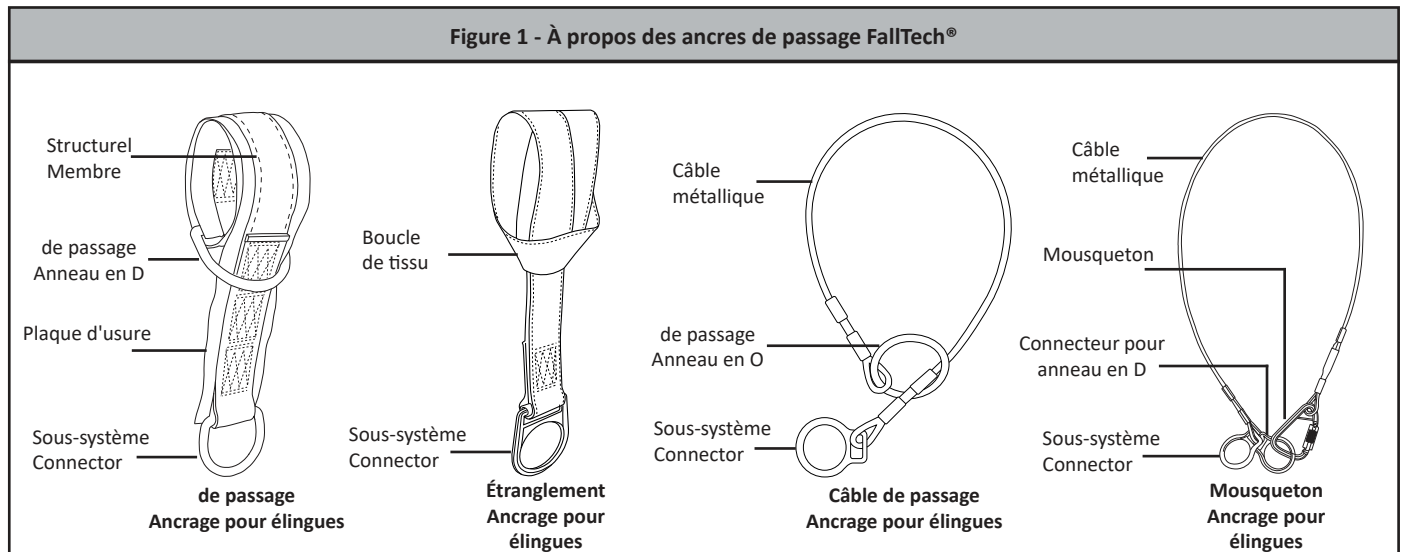
L'utilisateur de l'équipement dont il est question dans ce manuel doit lire et comprendre l'intégralité du manuel avant de commencer son travail.

NOTE : Pour plus d'informations, consulter l'ensemble des normes ANSI Z359 ou CSA Z259.

## 2.0 Description

Les ancres de passage pour élingues FallTech®, les ancrages pour élingues à étranglement, les ancrages pour élingues à passage de câble et les ancrages pour élingues à mousqueton de câble sont disponibles dans une grande variété de configurations pour répondre aux besoins spécifiques de la plupart des lieux de travail. Voir la figure 1 pour une configuration type.

Les ancres de passage FallTech® font partie d'un système antichute personnel (PFAS) et sont offertes en quatre styles différents : les ancres de passage, les ancrages pour élingues à étranglement, les ancrages pour élingues à passage de câble et les ancrages pour élingues à mousqueton de câble. Lorsqu'ils sont utilisés correctement, les ancrages FallTech® permettent à l'utilisateur de s'ancrer en toute sécurité aux poutres en I et autres constructions. Les ancrages de passage pour élingues, les ancrages pour élingues à étranglement et les ancrages pour élingues à passage de câble font partie d'un PFAS nécessitant un connecteur ou un dispositif compatible relié au point de connexion dorsal d'un harnais corporel complet (FBH). L'utilisateur est tenu de lire et de se familiariser avec tous les instructions, étiquettes et avertissements apposés sur l'ancre de passage FallTech®.



### **AVERTISSEMENT**

**S'assurer de lire, comprendre et suivre toutes les instructions et tous les avertissements qui figurent dans ce manuel.  
Toute mauvaise utilisation pourrait entraîner des blessures graves ou la mort.**

## 3.0 Utilisation

- 3.1 But:** Les ancrages de passage pour élingues FallTech®, les ancrages pour élingues à étranglement, les ancrages pour élingues à passage de câble et les ancrages pour élingues à mousqueton de câble sont conçus pour être utilisés comme composants d'un système antichute personnel (PFAS), afin de fournir une combinaison de mobilité des travailleurs et de protection contre les chutes, comme l'exigent les travaux d'inspection, la construction générale, les travaux d'entretien, la production de pétrole, les travaux en espace clos, etc.
- 3.2 Système antichute personnel:** Un PFAS est généralement composé d'un ancrage et d'un FBH, avec un dispositif de raccordement amortisseur d'énergie, c'est-à-dire un EAL, un DAR ou un sous-système de connexion d'antichute (SSCAC), fixé à l'anneau dorsal en D du FBH correctement ajusté et réglé. Toutes les utilisations et applications d'un FBH avec cet équipement exigent que le FBH soit correctement ajusté et réglé pour l'utilisateur. Si le FBH n'est pas correctement ajusté à l'utilisateur, cela peut entraîner des blessures graves ou la mort.
- 3.3 Limites lors de l'application:** Les ancrages de passage pour élingues FallTech®, les ancrages pour élingues à étranglement, les ancrages pour élingues à passage de câble et les ancrages pour élingues à mousqueton de câble sont un sous-système d'ancrage dynamique dont les performances varient en fonction de la longueur et du type du système antichute personnel utilisé. Il est essentiel de comprendre la capacité du système, les exigences en matière de résistance des ancrages, la chute libre totale admissible, et de connaître le type de cordon amortisseur d'énergie utilisé et être au fait des exigences relatives au déploiement du système antichute personnel en cas de chute. Plus la chute libre est longue, plus l'énergie déployée dans le système est grande et plus le cordon amortisseur d'énergie s'étire au cours d'une chute, ce qui peut entraîner des impacts négatifs importants sur le corps. Prendre des mesures pour éviter les bords coupants, les surfaces abrasives et les risques thermiques, électriques et chimiques.
- 3.4 Applications approuvées:** Les applications pour lesquelles les ancrages de passage pour élingues FallTech® sont spécialement adaptées se trouvent ci-dessous. Cette liste n'est pas exhaustive, mais vise à anticiper les applications les plus courantes dans lesquelles ce produit peut être utilisé.
- 3.4.1 Système antichute personnel:** Les ancrages de passage FallTech® utilisées comme élément d'ancrage d'un PFAS pour protéger l'utilisateur en cas de chute. Le PFAS se compose généralement d'un ancrage, d'un harnais personnel complet (FBH) et d'un dispositif de freinage tel qu'un cordon d'amortisseur d'énergie (EAL) ou un dispositif auto-rétractable (DAR). La chute libre maximale autorisée est de 6 pi (1,8 m).
- 3.4.2 Limitation:** Les ancrages de passage FallTech® peuvent être utilisés comme élément d'un système de limitation pour empêcher l'utilisateur d'atteindre un risque de chute. Les systèmes de limitation comprennent généralement un harnais corporel complet contenant une ceinture de sécurité et un cordon ou une ligne de retenue.

**3.4.3 Positionnement de travail:** Les ancrages de passage FallTech® peuvent être utilisés comme un élément d'un système de positionnement au travail pour soutenir l'utilisateur à un poste de travail. Les systèmes de positionnement de travail comprennent généralement un FBH avec des anneaux en D sur le côté intégrés, une ceinture de sécurité et un cordon de positionnement. Un PFAS de secours est nécessaire lorsque l'utilisateur est exposé à une chute libre de 2 pi (1,8 m) ou plus.

**3.4.4 Conduite par le personnel:** Les ancrages de passage FallTech® peuvent être utilisés comme un élément d'un système de conduite du personnel pour suspendre ou transporter l'utilisateur verticalement. Les systèmes de conduite du personnel comprennent généralement un harnais corporel complet, une chaise ou une planche de siège et un système antichute personnel de secours.

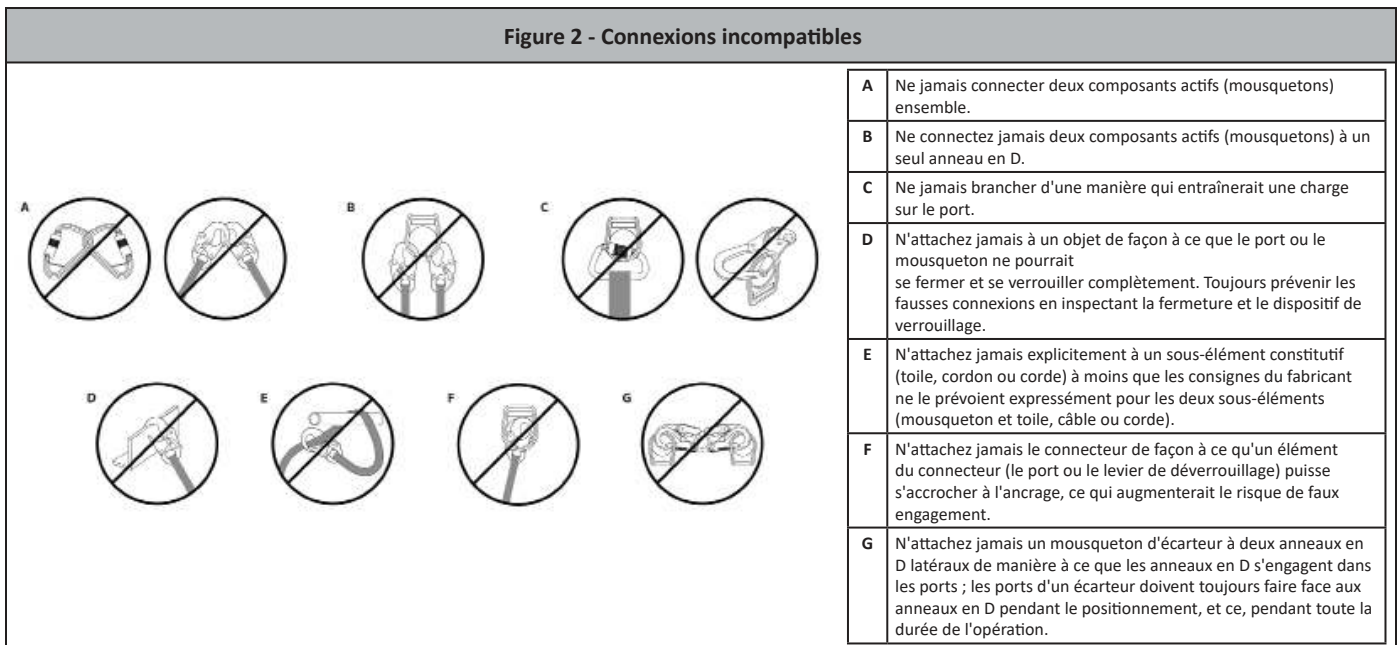
**3.4.5 Lignes de vie horizontales:** Les ancrages de passage FallTech® peuvent être utilisés dans toute application où une ligne de vie horizontale a été installée sous la direction d'une personne qualifiée et où la distance de chute libre ne dépasse pas 6 pi (1,8 m).

**3.4.6 Sauvetage :** Les ancrages de passage FallTech® peuvent être utilisés comme point d'ancrage dans les opérations de sauvetage qui nécessitent un équipement spécialisé dépassant le cadre de ce manuel.

## 4.0 Exigences du système

- 4.1 Capacité:** Les ancrages de passage dont il est question dans ce manuel sont conformes aux normes ANSI ou CSA, avec une capacité d'utilisateur unique répertoriée, y compris les vêtements, les outils, etc. Voir l'annexe A pour des informations sur les capacités. Pas plus d'un PFAS ne peut être connecté à l'ancrage de passage en même temps.
- 4.2 Compatibilité des connecteurs:** Les connecteurs sont considérés comme compatibles avec les éléments de connexion lorsqu'ils ont été conçus pour fonctionner ensemble, de manière à ce que leurs dimensions et leurs formes ne provoquent pas l'ouverture involontaire de leurs mécanismes de port, quelle que soit leur orientation. Contacter FallTech® en cas de questions sur la compatibilité. Les connecteurs doivent être compatibles avec l'ancrage ou les autres composants du système. Ne pas utiliser d'équipement qui n'est pas compatible. Les connecteurs non compatibles peuvent se désengager involontairement. Les connecteurs doivent être compatibles en matière de taille, de forme et de résistance. Les connecteurs à fermeture automatique et à verrouillage automatique sont exigés par l'ANSI, le CSA et l'OSHA.
- 4.3 Établissement des connexions:** Utilisez les connecteurs à verrouillage automatique seulement avec cet équipement. Utilisez uniquement des connecteurs adaptés pour chaque application. Assurez-vous que toutes les connexions sont compatibles en taille, en forme et en force. Ne pas utiliser d'équipement non compatible. Visuellement, assurez-vous que tous les connecteurs sont complètement fermés et verrouillés. Les connecteurs (crochets d'arrêt, crochets d'armature et mousquetons) sont conçus pour être utilisés uniquement comme indiqué dans le manuel.

Figure 2 - Connexions incompatibles



**4.5 Système antichute personnel (PFAS):** Le PFAS utilisé avec cet équipement doit répondre aux exigences de la norme ANSI Z359 ou CSA Z259. Un harnais personnel complet doit être porté lorsque cet équipement est utilisé comme composant d'un PFAS. Comme l'exige l'OSHA, le système antichute personnel doit pouvoir arrêter la chute de l'utilisateur avec une force d'arrêt maximale de 8 kN et limiter la chute libre à 6 pi (1,8 m).

**4.6 Résistance d'ancrage du système antichute personnel:** Résistance d'ancrage du PFAS : Un ancrage sélectionné pour le PFAS doit avoir une résistance capable de supporter une charge statique appliquée dans la direction autorisée par le PFAS d'au moins :

- Deux fois la force d'arrêt maximale autorisée lorsque la certification existe, ou
- 5 000 lb. (22,2 kN) en l'absence de certification.

Choisissez un emplacement d'ancrage avec soin. Tenez compte de la résistance de la structure, des obstructions dans la trajectoire de chute et des risques de chute balancée. Dans certains cas, la personne qualifiée peut déterminer qu'une structure donnée est capable de résister au MAF appliqué du système antichute personnel avec un facteur de sécurité d'au moins deux.

## 5.0 Installation et utilisation

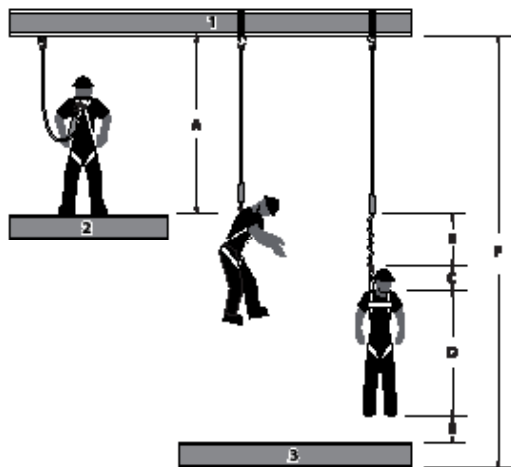
### AVERTISSEMENT

Ne pas modifier ou utiliser intentionnellement ce matériel à mauvais escient. Consulter FallTech® lors de l'utilisation de cet équipement en combinaison avec des composants ou des sous-systèmes autres que ceux décrits dans ce manuel. Tous les composants ou sous-systèmes utilisés avec les ancres décrites dans ce manuel doivent être conformes à la norme ANSI Z359 ou CSA Z259.

Prendre des mesures pour éviter, dans la mesure du possible, les surfaces et les bords tranchants ou abrasifs.

- 5.1 Planification du système antichute personnel (SAP):** Bien examiner la zone de travail et prendre les mesures nécessaires pour faire face aux dangers. Les chutes constituent un danger sérieux lorsque vous travaillez en hauteur. La formation et l'équipement sont les outils les plus importants dans la gestion des risques de chute. La gestion des risques de chute avec un SAP comporte plusieurs aspects liés;
- Ancrage
  - Dégagement minimal requis en cas de chute
  - Chute balancée et zone de travail agrandie
  - Ancrage supérieur (au-dessus de l'anneau en D du harnais corporel complet)
  - Ancrage inférieur (en-dessous de l'anneau en D du harnais corporel complet)
  - Plan de secours
- 5.2 Ancrage:** Choisir un point d'ancrage approprié. Voir le paragraphe 4.6. Pour éviter un désengagement involontaire des connecteurs, n'utiliser que des connecteurs compatibles lors du raccordement à l'ancrage. S'assurer que tous les connecteurs se ferment et se verrouillent solidement.
- 5.3 Dégagement minimal requis en cas de chute (MRFC):** Le MRFC est la distance minimale dont un utilisateur a besoin entre lui et l'obstacle (ou le sol) le plus proche sous la surface de marche et de travail pour éviter des blessures graves ou la mort en cas de chute. L'utilisateur de cet équipement doit déterminer le MRFC pour les unités dont il est question dans ce manuel afin de s'assurer qu'il existe un dégagement adéquat dans la trajectoire de chute. Les variables discutées dans ce manuel incluent la hauteur du point d'ancrage par rapport à l'anneau en D du FBH de l'utilisateur, c'est-à-dire au-dessus de la tête, voir l'exemple de cordon dans la figure 3.
- 5.4 Chute balancée:** Une chute balancée se produit lorsque le travailleur sort latéralement de sous l'ancre et crée une condition de zone de travail élargie. En cas de chute, le travailleur se retourne vers l'ancrage (voir figure 4). L'action de balancement génère une force considérable, et si le travailleur heurte un obstacle ou le niveau inférieur, cette force pourrait causer des blessures graves ou la mort.

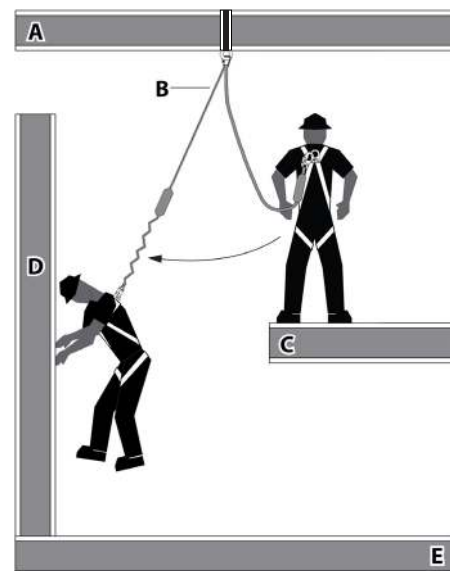
**Figure 3 - Cordon amortisseur d'énergie aérien à dégagement minimal requis en cas de chute**



A	6 pi (1,8 m)	<b>Longueur du cordon amortisseur d'énergie</b> Longueur d'origine avant qu'une chute se produise ou avant l'activation de l'amortisseur d'énergie
B	4 1/2 pi (1,4 m)	<b>Hauteur d'allongement et de freinage</b> Allongement maximal admissible pouvant provenir de l'amortisseur d'énergie à son activation lors d'une chute
C	1 pi (0,3 m)	<b>Allongement du harnais et déplacement de l'anneau dorsal en D</b> Longueur combinée d'allongement de la toile du harnais et de l'anneau dorsal en D durant toute la chute.
D	5 pi (1,5 m)	<b>Hauteur de l'anneau dorsal en D</b> Hauteur moyenne de l'anneau dorsal en D sur le harnais corporel complet de l'utilisateur, mesurée à partir de la surface de marche et de travail.
E	1 1/2 pi (0,5 m)	<b>Coefficient de sécurité</b> Longueur ajoutée pour d'autres facteurs tels qu'un harnais mal ajusté, la taille ou le poids réels du travailleur.
F	18 pi (5,5 m)	<b>Dégagement minimum total requis en cas de chute</b>

1. Ancrage supérieur 2. Surface de marche et de travail 3. Niveau inférieur ou obstacle le plus proche

**Figure 4 - Risque de chute balancée**



A	Ancrage
B	Cordon amortisseur d'énergie
C	Surface de marche et de travail
D	Impact de la chute balancée
E	Niveau inférieur suivant ou obstacle

**5,5 Inspection avant l'usage:** FallTech® exige que les mesures suivantes soient prises lors de l'inspection avant chaque utilisation de cet ancre de passage.

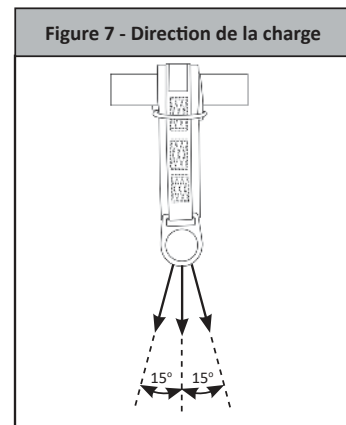
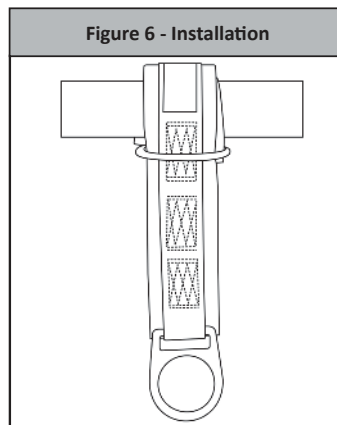
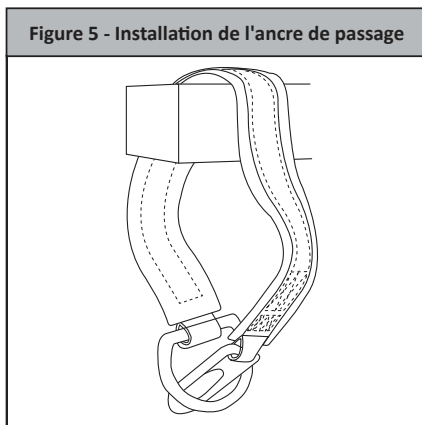
1. Vérifier la toile et le câble et rechercher les coupures, les effilochages et les signes de dommages dus à une usure excessive ou à l'abrasion. Rechercher également les traces de saleté, de graisse, d'huile, de peinture ou de toute autre contamination ou décoloration de la surface. S'il existe une quelconque condition qui compromet l'intégrité de la sangle, qui modifie les propriétés générales ou le toucher de la sangle ou qui limite ou restreint le réglage de la sangle, mettre immédiatement hors service l'ancre de passage.
2. Vérifier toutes les coutures. S'assurer que chaque couture et chaque point d'arrêt est intact, sans fils desserrés, effilochés ou déchirés. Si l'un des points de couture présente des signes d'endommagement ou d'usure excessive, mettre immédiatement l'ancre hors service.

**5,6 Installation d'une ancre de passage pour élingues:** S'assurer que l'élément de structure nominal est exempt de bords coupants, dentelés ou abrasifs.

1. Placer l'ancre de passage pour élingues sur le dessus de l'élément de structure, les étiquettes étant tournées vers le haut. Le grand anneau en D sera suspendu d'un côté et le petit anneau en D de l'autre. Faire passer le petit anneau en D à travers le grand anneau en D, voir figure 5. Bien serrer l'ancre de passage pour élingues de la toile, voir figure 6.

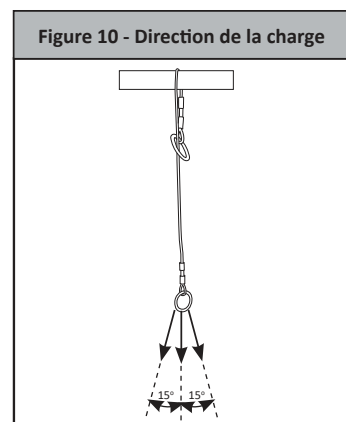
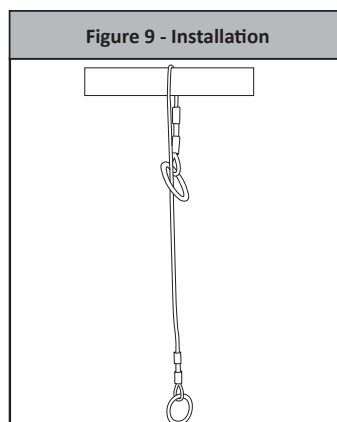
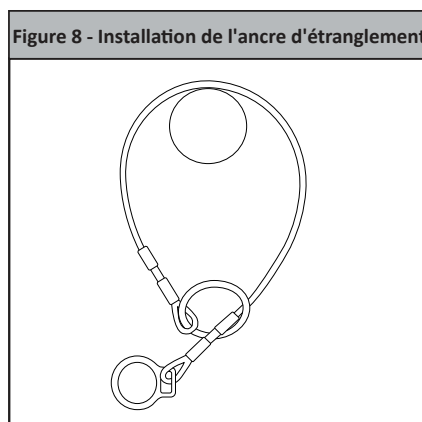
La longueur effective des ancrs peut être raccourcie en enroulant le petit anneau D autour du grand anneau D et en le faisant passer plus d'une fois par celui-ci. Le tampon d'usure jaune doit être installé du côté de l'ancrage, comme indiqué sur la figure 5.

2. S'assurer que l'ancre de passage pour élingues ne puisse se détacher de l'élément de structure en aucun point du trajet de déplacement prévu, ni aux joints ou aux extrémités.
3. Si l'élément de structure auquel est fixé cet ancre de passage pour élingues est incliné ou vertical, l'ancre doit être placée à côté d'une butée qui l'empêchera de glisser ou de se déplacer en cas de chute. La direction de la charge ne doit pas dépasser 15°, comme indiqué sur la figure 7.



**5,7 Installation de l'ancrage pour élingues à passage de câble :** S'assurer que l'élément de structure évalué est exempt de bords coupants, dentelés ou abrasifs.

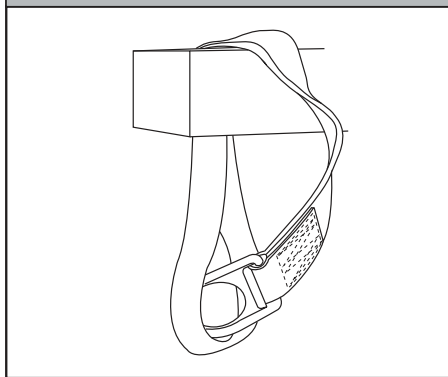
1. Placer l'ancrage pour élingues à passage de câble sur le dessus de l'élément de structure avec le grand anneau en D suspendu d'un côté et le plus petit anneau en D ou anneau en O suspendu de l'autre. Faire passer l'anneau en D à travers l'anneau en O, voir figure 8, et bien serrer l'ancrage pour passage de câble, voir figure 9.
2. S'assurer que l'ancrage pour élingues à passage de câble ne puisse se détacher de l'élément de structure en aucun point du trajet de déplacement prévu, ni aux joints ou aux extrémités.
3. Si l'élément de structure auquel est fixé cet ancrage pour élingues à passage de câble est incliné ou vertical, l'ancrage doit être placé à côté d'une butée qui l'empêchera de glisser ou de se déplacer en cas de chute. La direction de la charge ne doit pas dépasser 15°, comme indiqué sur la figure 10.



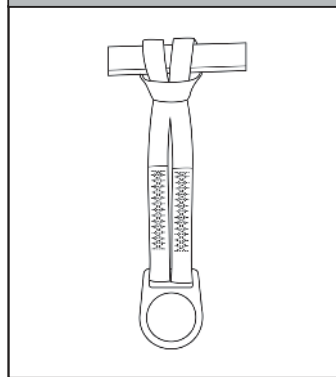
**5,8 Installation d'un ancrage pour élingues d'étranglement : S'assurer que l'élément de structure évalué est exempt de bords coupants, dentelés ou abrasifs.**

1. Placer l'ancrage pour élingues d'étranglement sur le dessus de l'élément de structure avec la boucle de la sangle d'un côté et l'anneau en D suspendu de l'autre. Faire passer l'anneau en D ou l'anneau en O à travers la boucle de la sangle (voir figure 11) et bien serrer l'ancre d'étranglement (voir figure 12).
2. S'assurer que l'ancrage pour élingues d'étranglement ne puisse se détacher de l'élément de structure en aucun point du trajet de déplacement prévu, ni aux joints ni aux extrémités.
3. Si l'élément de structure auquel est fixé cet ancrage pour élingues d'étranglement est incliné ou vertical, l'ancrage doit être placé à côté d'une butée qui l'empêchera de glisser ou de se déplacer en cas de chute. La direction de la charge ne doit pas dépasser 15°, comme indiqué sur la figure 13.

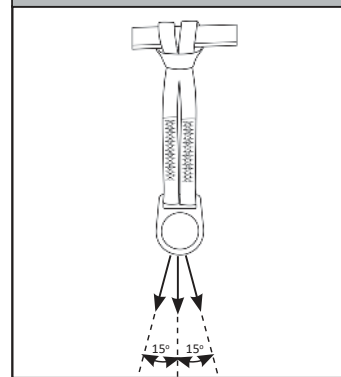
**Figure 11 - Installation de l'ancre d'étranglement**



**Figure 12 - Installation**



**Figure 13 - Direction de la charge**



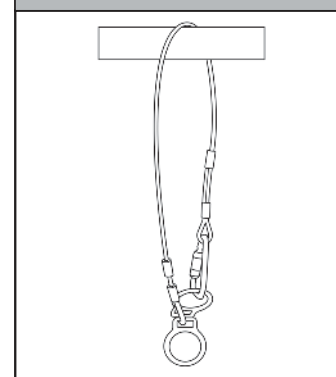
**5,9 Installation de l'ancrage à mousqueton de câble : S'assurer que l'élément de structure évalué est exempt de bords coupants, dentelés ou abrasifs.**

1. Placer l'ancrage pour élingues à mousqueton de câble sur le dessus de l'élément de structure, le mousqueton étant suspendu d'un côté et les deux anneaux en D de l'autre, voir figure 14. Connecter le mousqueton à l'un des deux anneaux en D, voir figure 15. L'anneau en D non attaché doit être utilisé comme point d'attache.
2. S'assurer que l'ancrage pour élingues à mousqueton de câble ne puisse se détacher de l'élément de structure en aucun point de la trajectoire de mouvement prévue, ni aux joints ni aux extrémités.
3. Si l'élément de structure auquel est fixé cet ancrage pour élingues à mousqueton de câble est incliné ou vertical, l'ancrage doit être placé à côté d'une butée qui l'empêchera de glisser ou de se déplacer en cas de chute. La direction de la charge ne doit pas dépasser 15°, comme indiqué sur la figure 16.

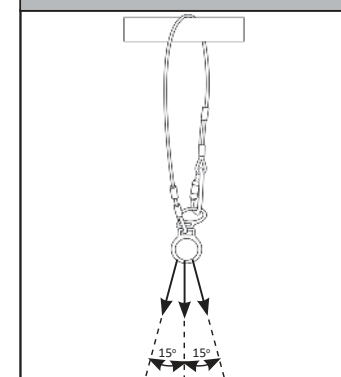
**Figure 14 - Installation de l'ancre d'étranglement**



**Figure 15 - Installation**



**Figure 16 - Direction de la charge**



## 6.0 Entretien, service et rangement

**6,1 Entretien:** Nettoyer l'ancre de passage avec de l'eau et un détergent doux. Ne pas laisser s'accumuler de manière excessive de la saleté, de la peinture ou d'autres agents qui pourraient endommager ou durcir les fibres de la toile sur toute sangle. Le durcissement des fibres de la bande par des éléments extérieurs peut entraîner une perte de résistance ou modifier les propriétés de la toile d'une manière qui pourrait entraîner la défaillance de l'ancre de passage, de son fonctionnement et de sa performance.

### 6,2 Entretien approprié

- Garder l'ancre de passage propre et exempte de contaminants; cela augmentera considérablement la durée de vie.
- Les moisissures dues à l'entreposage humide réduisent la durée de vie de ce produit.
- Utiliser un chiffon humide et une solution d'eau et de savon doux pour nettoyer le matériel. Essuyer le matériel avec un chiffon doux et propre.
- NE PAS sécher à la chaleur.
- NE PAS utiliser de solvants ou de produits pétroliers pour nettoyer cette ancre.
- NE PAS essayer de réparer ou de modifier cette ancre de passage ou l'un de ses composants. De telles tentatives annuleront la garantie et peuvent entraîner des blessures graves ou la mort.

**6,3 Entreposage:** entreposer dans un environnement propre, sec et sans produits chimiques, à l'abri de la lumière directe du soleil.

## 7.0 Inspection

**7,1 Inspection avant l'usage:** S'assurer de consulter les directives relatives à l'inspection avant utilisation au point 5.4 pour connaître les exigences en matière d'inspection.

**7,2 Fréquence des inspections:** FallTech exige que tous les équipements de protection contre les chutes soient inspectés par une personne compétente autre que l'utilisateur au moins une fois par an ou plus fréquemment si les conditions le permettent. FallTech recommande fortement qu'une personne compétente procède à une évaluation des risques pour l'environnement et détermine la durée des intervalles d'inspection en fonction des conditions du site. L'inspection annuelle doit être consignée sur un registre d'inspection, incluant toutes les anomalies. Cette inspection doit également être une occasion de former toute personne autorisée en ce qui concerne les anomalies qu'elle n'a pas observées lors de ses inspections quotidiennes.

Fréquence des inspections				
Type d'emploi	Exemples d'application	Exemples de conditions d'utilisation	Fréquence d'inspection des travailleurs	Fréquence de l'inspection du personnel qualifié
Utilisation peu fréquente à légère	Entretien de l'usine et de l'espace de sauvetage et de confinement	Bonnes conditions d'entreposage, utilisation intérieure ou extérieure peu fréquente, température ambiante, environnement propre.	Avant chaque utilisation	Annuellement
Utilisation modérée à élevée	Transport, construction résidentielle, services publics, entrepôt	Conditions de stockage équitables, utilisation intérieure et extérieure prolongée, toutes températures, environnements propres ou poussiéreux	Avant chaque utilisation	Semi-annuellement à annuellement
Utilisation intensive à continue	Construction commerciale, pétrole et gaz, exploitation minière, fonderie	Conditions d'entreposage difficiles, utilisation prolongée ou continue à l'extérieur, toutes températures, environnements sales	Avant chaque utilisation	Trimestriellement à semi-annuellement

**7,3 Résultats de l'inspection:** Si une inspection révèle des défauts ou des dommages à l'équipement, un entretien inadéquat ou des indicateurs de chute activés, mettre l'équipement hors service.



## 8.0 Étiquettes

Les étiquettes doivent être présentes et lisibles.

<p><b>FallTech</b> 800-719-4619 Web Anchor Sling Style #: C7372 CSA Z259.15-2017 Class A ANSI Z359.18-2017 Type T Working Load Limit: 2,268 kg (5,000 lbs) Minimum Breaking Strength 5,000 lbs</p>	<p>Date of Manufacture (Date de Fabrication) MAR 2020 Serial # (Numéro de Série): 12345678 Material (Matériel): Polyester Web Size (Grandeur): 1.8 m (6 ft)</p>	
--	---	---

○ **INSPECTION!** Inspect the anchor before each use. Semi-annual inspection by a competent person is recommended. Do not use if inspection reveals unsafe or defective condition. Remove the anchor from service immediately if it has been subjected to fall arrest forces. See the user instruction manual for complete inspection procedures.

○ **INSPECTION!** Inspectez l'ancre avant chaque utilisation. Une inspection semestrielle par une personne compétente est recommandée. Ne pas utiliser si l'inspection révèle une condition dangereuse ou défectueuse. Retirer l'ancre du service immédiatement si elle a été soumise à des forces antichute. Voir le manuel d'instructions de l'utilisateur pour connaître les procédures d'inspection complètes.

412-03739 Rev A

○ MARK OR PUNCH ON DATE GRID:  
A) INITIAL IN-SERVICE DATE  
B) DATE OF PASSED INSPECTION

○ MARQUE OU PUNCH SUR DATE GRILLE:  
A) DATE DE MISE EN SERVICE INITIALE  
B) DATE DE L'INSPECTION RÉUSSIE

Date:	Initials:																

412-03740 Rev A


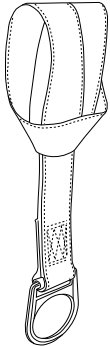
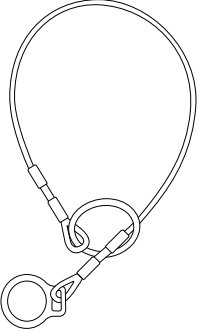
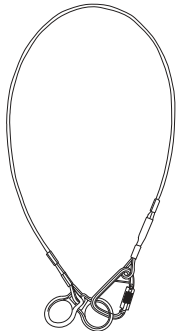
○ **WARNING!** THIS EQUIPMENT IS DESIGNED FOR USE AS A FALL PROTECTION ANCHOR. USER MUST READ AND FOLLOW INSTRUCTIONS SUPPLIED WITH THIS PRODUCT AT TIME OF SHIPMENT. FAILURE TO DO SO MAY RESULT IN SERIOUS INJURY OR DEATH. AVOID CONTACT WITH SHARP EDGES, ABRASIVE SURFACES, CHEMICALS, SALT WATER, ACIDS, AND ALKALINES. MAKE ONLY COMPATIBLE CONNECTIONS. SEE INSTRUCTIONS FOR RESTRICTIONS ON USE WITH COMPONENTS, SUBSYSTEMS, OR SYSTEMS WITH WHICH THIS PRODUCT IS DESIGNED TO BE USED. SEE INSTRUCTIONS FOR INSPECTION PROCEDURES.

412-03741 Rev A

○ **ATTENTION!** CET ÉQUIPEMENT EST CONÇU POUR ÊTRE UTILISÉ COMME ANCRAGE ANTI-CHUTE. L'UTILISATEUR DOIT LIRE ET SUIVRE LES INSTRUCTIONS FOURNIES AVEC CE PRODUIT AU MOMENT DE L'EXPÉDITION. LE NON-RESPECT DE CET ÉTAPE PEUT ENTRAÎNER DES BLESSURES GRAVES OU LA MORT. ÉVITER LE CONTACT AVEC LES BORDS COUPANTS, LES SURFACES ABRASIVES, LES PRODUITS CHIMIQUES, L'EAU SELLE, LES ACIDES ET LES ALCALINES. NE FAITES QUE DES CONNEXIONS COMPATIBLES. CONSULTEZ LES INSTRUCTIONS POUR LES RESTRICTIONS LORS DE L'UTILISATION DE COMPOSANTS, SOUS-SYSTEMES OU SYSTEMES UTILISÉS POUR CE PRODUIT. VOIR LES INSTRUCTIONS POUR LES PROCÉDURES D'INSPECTION.

412-04476 Rev A

Table 1A: Spécifications pour les ancres de passage FallTech

N° d'article :	Description et dimensions	Résistance minimale du matériau à la traction	ANSI Z359.18	CSA Z259.15	OSHA 1926.502	Image		
7324	2 pi (0,6 m)	<b>Anneau en D en acier allié :</b> 5 000 lb (22,2 kN) Min	✓		✓			
7336	3 pi (0,9 m)		✓		✓			
C7336				✓				
7348	4 pi (1,2 m)		✓		✓			
C7348				✓				
7372	6 pi (1,8 m)		✓		✓			
C7372				✓				
737208	8 pi (2,4 m)		✓		✓			
737210	10 pi (3 m)		✓		✓			
7373	12 pi (3,7 m)		✓		✓			
C7373					✓			
737214	14 pi (4,3 m)		✓		✓			
737220	20 pi (6,1 m)		<b>Toile en polyester :</b> 5 000 lb (22,2 kN) Min	✓			✓	
737224	24 pi (7,3 m)			✓			✓	
737230	30 pi (9,1 m)			✓			✓	
7214	17 po (0,43 m)			✓	✓		✓	
7218	18 po (0,45 m)				✓			
7218LT								✓
7224	24 po (0,6 m)	✓	✓	✓				
7236	36 po (0,9 m)	✓	✓	✓				
722448	48 po (1,2 m)	✓	✓	✓				
7272	72 po (1,8 m)	✓	✓	✓				
7244	72 po (1,8 m)	<b>Anneau en D en acier allié :</b> 5 000 lb (22,2 kN) Min			✓			
7245	36 po (0,9 m)				✓			
72493Pi					✓			
72494Pi	48 po (1,2 m)		<b>Toile en Kevlar :</b> 5 000 lb (22,2 kN) Min			✓		
72496Pi	72 po (1,8 m)				✓			
7427	4 pi (1,2 m)	<b>Anneau en D en acier allié :</b> 5 000 lb (22,2 kN) Min			✓			
7428	6 pi (1,8 m)				✓			
742808	8 pi (2,4 m)				✓			
742712	12 pi (3,7 m)		<b>Anneau en O en acier allié :</b> 5 000 lb (22,2 kN) Min				✓	
74373Pi	3 pi (0,9 m)						✓	
7437	4 pi (1,2 m)		<b>Câbles métalliques revêtus de PVC :</b> 5 000 lb (22,2 kN) Min				✓	
7438	6 pi (1,8 m)						✓	
743807	7 pi (2,1 m)		<b>Câbles métalliques galvanisés :</b> 5 000 lb (22,2 kN) Min				✓	
743808	8 pi (2,4 m)						✓	
743810	10 pi (3 m)						✓	
743820	20 pi (6,1 m)				✓			
84202D3	3 pi (0,9 m)		<b>Anneau en D en acier allié :</b> 5 000 lb (22,2 kN) Min	✓			✓	
84202D4	4 pi (1,2 m)						✓	
84202D	6 pi (1,8 m)			<b>Mousqueton en acier allié :</b> 5 000 lb (22,2 kN) Min avec une résistance de vanne de 3 600 lb (16 kN)	✓			
84202D8FT	8 pi (2,4 m)					✓		
84202D10	10 pi (3 m)				✓			
84202DC3	3 pi (0,9 m)	<b>Câbles métalliques revêtus de PVC :</b> 5 000 lb (22,2 kN) Min		✓		✓		
84202DC4	4 pi (1,2 m)					✓		
84202DC	6 pi (1,8 m)	<b>Câbles métalliques galvanisés :</b> 5 000 lb (22,2 kN) Min		✓		✓		
84202DC8	8 pi (2,4 m)					✓		