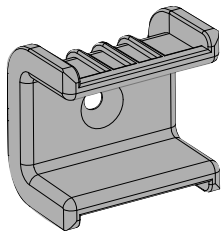
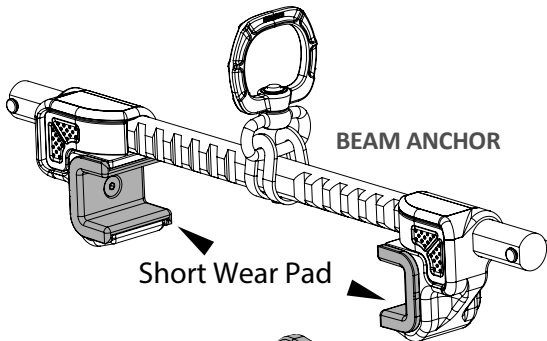


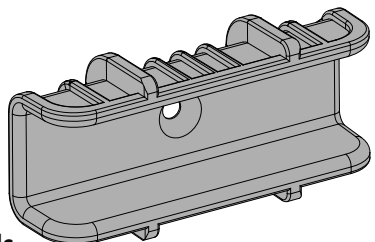
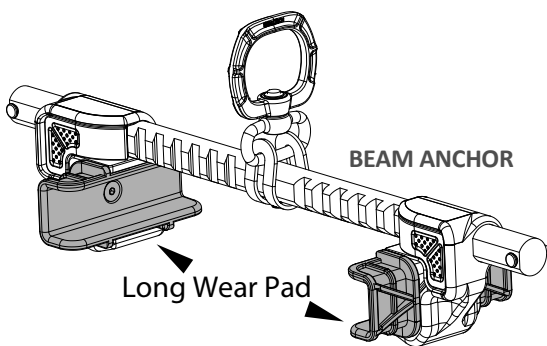
**⚠ WARNING**

Always read and follow the manufacturer's instructions, labels, and warnings before use. Failure to do so can result in serious injury or death. The purpose of the Beam-Lock Beam Anchor Wear Pads are to extend the product service life and facilitate the smooth operation of the Beam Anchor when sliding along beams. Inspect before each use. See Beam-Lock Beam Anchor user manual, MANC27, for inspection requirements. Remove from service if inspection is failed. Contact FallTech for compatibility concerns.



**ITEM # 7542A**  
**Replacement**  
**Short Wear Pad**

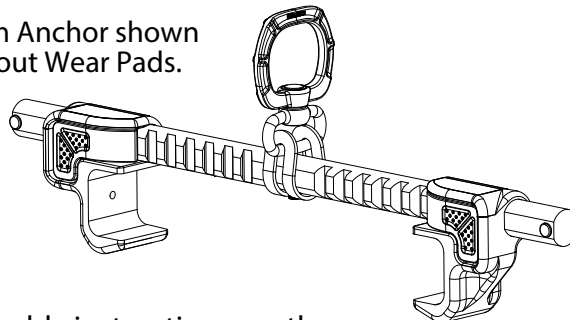
\* Includes 2 wear pads & 2 screws.



**ITEM # 7542B**  
**Replacement**  
**Long Wear Pads.**

\* Includes 2 wear pads & 2 screws.

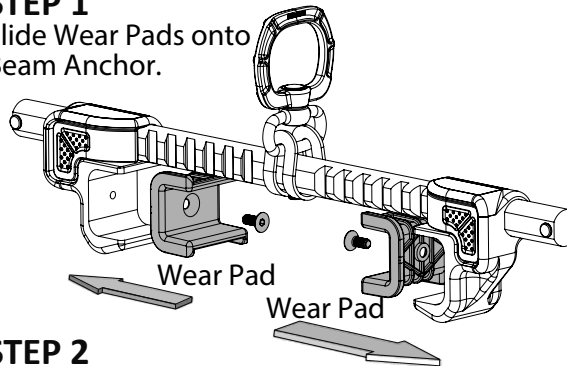
Beam Anchor shown without Wear Pads.



Assembly instructions are the same for both Long and Short Wear Pads.

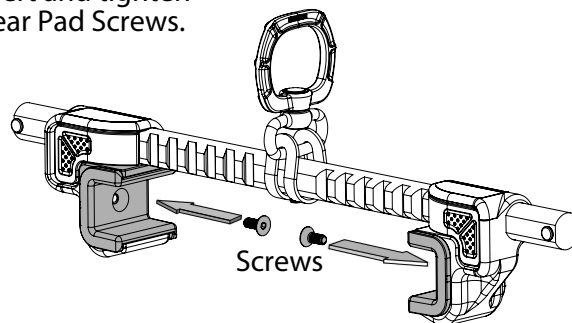
**STEP 1**

Slide Wear Pads onto Beam Anchor.



**STEP 2**

Insert and tighten Wear Pad Screws.



**STEP 3**

Final assembly.

