



## User Instruction Manual

# Ring Plate Anchor

This manual is intended to meet the Manufacturer's Instructions as required by ANSI Z359 and should be used as part of an employee training program as required by OSHA. This manual assumes the user has received training in the use of this equipment.

### WARNING

**This product is part of a personal fall arrest, restraint, work positioning, suspension, or rescue system. A Personal Fall Arrest System (PFAS) is typically composed of an anchorage and a Full Body Harness (FBH), with a connecting device, i.e., a Shock Absorbing Lanyard (SAL), or a Self-Retracting Device (SRD), attached to the dorsal D-ring of the FBH.**

**Provide these instructions to the user of this equipment. The user must read and understand the manufacturer's instructions for each component or part of the complete system. Follow manufacturer's instructions for proper use, care, and maintenance of this product. Retain these instructions and keep them available for the user's reference at all times.**

**Alterations or misuse of this product, or failure to follow instructions, may result in serious injury or death. A Fall Protection Plan must be on file and available for review by all users. It is the responsibility of the user and the purchaser of this equipment to assure that users of this equipment are properly trained in its use, maintenance, and storage.**

**Training must be repeated at regular intervals. Training must not subject the trainee to fall hazards.**

**When this equipment is in use the employer must have a rescue plan and the means at hand to implement it and communicate that plan to users, authorized persons, and rescuers.**

Consult a doctor if there is reason to doubt your fitness to safely absorb the shock of a fall event. Age and fitness seriously affect a worker's ability to withstand falls. Pregnant women or minors must not use this equipment.

**NOTE:** For more information consult ANSI Z359

1306 South Alameda Street  
Compton, CA 90221, USA  
1-800-719-4619  
1-323-752-0066

[www.falltech.com](http://www.falltech.com)

©2015

## TABLE OF CONTENTS

### 1. DESCRIPTION

1.1 Occupational Safety and Health Act (OSHA)

### 2. APPLICATION

2.1 Purpose

2.2 Personal Fall Arrest System Application

2.2.1 Restraint Application

2.3 Application Limits

2.4 Rescue

### 3. SYSTEM REQUIREMENTS

3.1 Capacity

3.2 Compatibility Of Connectors

3.3 Compatibility Of Components

3.4 Making Connections

3.5 Personal Fall Arrest System

3.5.1 Restraint System

3.6 Definitions

### 4. INSTALLATION AND OPERATION

4.1 Fall Clearance Calculation:

4.2 Swing Fall

4.3 Installation Location

4.4 Install the Anchor

4.5. Connect PFAS or Restraint System To The Roof Anchor

4.6 After a Fall

4.7 At Job Completion

### 5. SPECIFICATIONS

### 6. MAINTENANCE AND STORAGE

6.1 Storage

6.2 Remove From Service

### 7. INSPECTION

### 8. LABELS

Appendix A - Table 1, Figures 1 – 6

Appendix B -

032015

### 1. DESCRIPTION

The FallTech® Ring Plate Anchor covered in this manual is designed to provide a fall protection anchorage for persons working at height on wood structures and subject to fall hazards.

The anchor is intended for use by construction and maintenance personnel on residential and commercial roofs, and other locations where fall hazards exist.

This manual contains two appendices, Appendix A and Appendix B. Appendix A contains tables and figures specific to the anchor. Appendix B contains tables and figures for fall protection in general. All figure, table, and chart references in this manual are to Appendix A unless otherwise noted.

For purposes of this manual, the anchor, in all iterations, may be referred to collectively as the Ring Plate Anchor, the anchor, the equipment, the device, the product, or the unit.

The anchor is designed to be temporary and reusable, provided it has not been subjected to fall arrest forces and passes inspection as described in Section 7 of this manual.

The anchor may also be used as a restraint anchor depending upon the workplace geometry and the available restraint system components.

The anchor is composed of a steel attachment ring, secured by a V-bracket welded to a steel base plate. The base plate has three holes to mount the anchor to a wooden structure with lag screws in predrilled holes. See Figure 1 and Table 1.

**1.1 Occupational Safety and Health Act (OSHA):** The anchor discussed in this manual meets OSHA 1926.502 regulations.

### 2. APPLICATION

**2.1 Purpose:** The lag anchor is designed to be installed on a wood structure roof and used as single person PFAS anchor point to protect the user in a fall event.

The unit may be installed on roof trusses, on top of sheathing, with the base plate centered on a truss or rafter with a minimum nominal size of 2" by 4".

Installation fasteners, either Grade 5 SPAX® PowerLags™ 1/4" x 3" lag screws, or Simpson Strong-Tie® Strong Drive® 1/4" x 3" lag screws, are provided. Use only the fasteners specified.

The anchor may also be used as an anchor for restraint applications.

The anchor is reusable provided there has been no fall arrest load and the unit passes the inspection procedures in Section 7 of this manual.

**DO NOT** use the anchor to lift tools or materials.

**2.2 Personal Fall Arrest System Application:** PFAS typically include an anchorage, a Full Body Harness (FBH), and a deceleration device such as a SAL, an SRD, or a Fall Arrestor Connecting Subsystem (FACSS) when used with a rope grab/SAL. For PFAS applications, the anchor is installed on the roof field. See Figure 2A. Maximum permissible free fall in PFAS applications is six feet.

**2.2.1 Restraint Application:** Restraint systems are designed to prevent the user from reaching a fall hazard area, as shown in Figure 2B. The anchor may be used as part of a restraint system. See the restraint system manufacturers user instruction manual for connecting and use details.

**2.3 Application Limits:** The anchor is subject to load direction restrictions and placement restrictions. Use only the fasteners specified. See Section 4 for complete installation details.

**2.4 Rescue:** Rescue operations require specialized equipment that is beyond the scope of this manual. An employer is required to have a written rescue plan, the means to implement it, and the ability to communicate that plan to users, authorized persons, and to rescuers. See ANSI Z359.4-2007.

### 3. SYSTEM REQUIREMENTS

**3.1 Capacity:** Limit user weight to 130 – 310 lbs., (59 – 140.6 kg), including clothing, tools, etc. No more than one PFAS may be attached to one anchor at any time.

**3.2 Compatibility Of Connectors:** Connectors are considered compatible with connecting elements when they have been designed to work together in such a way that their sizes and shapes do not cause their gate mechanisms to open inadvertently, regardless of how they become oriented. Contact FallTech if you have any questions about compatibility. Connectors must be compatible with the anchorage or other system components. Do not use equipment that is not compatible. Non-compatible connectors may unintentionally disengage. Connectors must be compatible in size, shape, and strength. ANSI and OSHA require self-closing, self-locking snap hooks and carabiners. See Figure 13 in Appendix B for common incorrect connections to avoid.

**DO NOT** attach rebar hooks to this anchor. A side load on the gate may cause an unintentional disengagement. Use only self-closing, self-locking snap hooks and carabiners.

**3.3 Compatibility Of Components:** Equipment is designed for use with approved components and subsystems only. Substitutions or replacements made with non-approved components or subsystems may jeopardize compatibility of equipment and may affect the safety and reliability of the complete system.

**3.4 Making Connections:** Use only connectors designed for use with this equipment, suitable to each application. Ensure all connections are compatible in size and strength. Do not use equipment that is not compatible. Visually ensure all connectors are fully closed and locked. Connectors (snap hooks and carabiners) are designed to be used only as specified in each product's user instructions.

**3.5 Personal Fall Arrest System:** The anchor meets the requirements of an OSHA fall protection anchor. An anchorage selected for PFAS must be able to sustain a load of:

- a) Two times the maximum arrest force permitted when certification exists, or
- b) 5,000 lbs., (22.2 kN) in the absence of certification.

An FBH must be worn when this equipment is used as a component of a PFAS.

If the maximum free fall distance must be exceeded, the employer must document, based on test data, that the maximum arresting force will not be exceeded, and the personal fall arrest system will function properly.

**3.5.1 Restraint System:** An anchorage selected for restraint must be able to support a static load applied in the direction permitted by the system of at least:

- a) Two times the foreseeable force when certification exists, or
- b) 1,000 lbs. (4.4 kN) in the absence of certification.

An FBH must be worn when this equipment is used as a component of a restraint system. As required by OSHA, the restraint system must prevent the user from reaching a fall hazard area. Free fall is not permitted.

**3.6 Definitions:** The following are definitions of terms.

**Authorized Person:** A person assigned by the employer to perform duties at a location where the person will be exposed to a fall hazard (otherwise referred to as "user" for the purpose of these instructions).

**Certified Anchorage:** An anchorage for fall arrest, positioning, restraint, or rescue systems that a qualified person certifies to be capable of supporting the potential fall forces that could be encountered during a fall or that meet the criteria for a certified anchorage prescribed in this standard.

**Competent Person:** One who is capable of identifying existing and predictable hazards in the surroundings or working conditions which are unsanitary, hazardous, or dangerous to employees, and who has authorization to take prompt corrective measures to eliminate them.

**Qualified Person:** A person with a recognized degree or professional certificate and with extensive knowledge, training, and experience in the fall protection and rescue field who is capable of designing, analyzing, evaluating and specifying fall protection and rescue systems to the extent required by this standard.

**Rescuer:** Person or persons other than the rescue subject acting to perform an assisted rescue by operation of a rescue system.

#### 4. INSTALLATION AND OPERATION

##### WARNING

**Do not alter or intentionally misuse this equipment. Consult FallTech when using this equipment in combination with components or subsystems other than those described in this manual.**

**Do not use rebar hooks, large carabiners or large snap hooks to connect to the FBH dorsal D-rings or to any small diameter non-compatible anchor point as this may cause a roll-out condition and/or unintentional disengagement.**

**Use caution and take action to avoid excessively sharp and/or abrasive surfaces and edges.**

**Avoid electric hazards. Use caution when performing arc welding. Arc flash from arc welding operations, including accidental arcs from electrical equipment, can damage equipment, cause severe injury and are potentially fatal.**

**Examine the work area. Be aware of the surroundings and workplace hazards that may impact safety, security, and the functioning of fall arrest systems and ancillary components. Hazards may include but not be limited to cable or debris tripping hazards, equipment failures, personnel mistakes, moving equipment such as carts, barrows, fork lifts, cranes, or dollies. Do not allow materials, tools, or equipment in transit to contact any part of the anchor or fall arrest system and/or ancillary components. Pay special attention to the lifeline. Do not work under suspended loads.**

Installation of anchorages must be under the supervision of a competent person trained in their design and use.

**NOTE:** Approved fall protection may be required during installation of the anchor discussed in this manual.

**DO NOT** use any anchorage discussed in this manual until the system has been completely installed, inspected, and approved for use by a competent person.

When the anchor is installed as a single point anchor with lag screws, the anchor is an OSHA compliant 5,000lb anchor when loaded in the manner and direction detailed in this manual.

**4.1 Fall Clearance Distance:** Take action to reduce the danger of falls. Ensure sufficient clearance exists in the fall path to arrest the fall before striking the ground or other obstructions. The actual clearance required is dependent upon the type of connecting subsystem used (SAL, SRD, etc.). Swing fall conditions will increase the fall clearance required. Consult the PFAS manufacturer's user instruction manual.

**4.2 Swing Fall:** Swing falls occur when the anchorage point is not directly above the point where a fall occurs, as shown in Figure 6 of Appendix B. The total fall distance may be greatly increased during a swing fall. The force of striking an object in a swing fall may cause serious injury. Minimize swing falls by installing anchors at least six feet from exposed roof edges and by working as directly below the anchorage point as possible. Move the anchor as required or install additional anchors no more than 8 feet apart.

Work sites vary. Some lateral travel may be required. Consider swing hazards and fall clearance requirements. Consult the fall protection system manufacturer's user instruction manual.

**4.3 Installation Location:** Inspect the anchor before each use according to the inspection procedure detailed in Section 7 of this manual. Consider conditions and circumstances that could affect user safety. Select a suitable anchor location, on the field or adjacent to the peak but not right on it. Ensure the chosen location will support the strength requirement, minimize free fall and swing hazards, as shown in Figure 3.

The competent person must develop a site plan to ensure the chosen location is a minimum 6ft. from any exposed edge, and is not on a gable, eave, or fascia, or on rotting or decayed wood. Ensure the anchor is placed for proper load direction as shown in Figure 4.

Ensure multiple anchors are installed a minimum of 8 ft. apart. For hip roofs, install at least one anchor per hip face as shown in Figure 5. Ensure the chosen site can provide sufficient fall clearance.

**4.4 Install the Anchor:** Install the anchor on top of the sheathing, directly over a truss or rafter. Orient the plate so that the narrow end is up slope, pointed toward the roof ridge, and the larger square end is down-slope, as shown in Figure 6. Installation lag screws must engage the center of the truss or rafter.

To avoid splitting the wood, drill a 3/16" pilot hole for each screw. Use a 3/8" driver bit to drive in three SPAX or Simpson Strong Tie brand 1/4" x 3" lag screws, as shown in Figure 5. Use only the screws specified. See Table 1.

**DO NOT**

- install over existing roof material such as clay, slate, concrete or Spanish tiles, over metal, wood shakes or wood shingles.  
NOTE: The anchor may be installed over asphalt tiles. Ensure at least 2-1/2" of each screw engages the truss or rafter.
- mount an anchor directly onto a truss without sheathing substrate.
- mount the anchor on unsupported roof areas such as eaves, gables and overhangs.
- use an anchor mounted downslope on the opposite side of the peak. Install a separate anchor.
- use the anchorage until the system has been completely installed, inspected, and approved for use by a competent person
- work above the anchorage

**4.5. Connect PFAS or Restraint System To The Roof Anchor:** Connect to the roof anchor using an approved PFAS. An SRD or Vertical Lifeline (VLL) may be attached to the anchor or restraint system. Do not connect a rebar hook or a large throat opening carabiner to the lag anchor. Work below the anchor. Consult the PFAS manufacturer's user instructions for details. Use caution on a normally sloped roof and avoid swing falls. Do not cross over the roof ridge of a peaked roof.

**4.6 After a Fall:** Any equipment subjected to fall arrest forces or exhibiting damage consistent with the effect of a fall event must be removed from service immediately.

**4.7 At Job Completion:** The anchor is designed as a temporary reusable anchor, to be removed and reinstalled. Do not pull on the attachment ring to detach the anchor, remove the lag screws. The user must make any necessary roof or structural repairs that result from installation, use and de-installing the anchor.

**5. SPECIFICATIONS**

See Table 1.

**6. MAINTENANCE AND STORAGE**

There is no regular maintenance required for this equipment.

**6.1 Storage:** When not installed, store in a clean, dry area. Avoid direct sunlight and exposure to environmental elements. Do not place other equipment or objects on top of the anchors. Do not store in a manner that would allow other equipment to bend, crack, contaminate or otherwise damage the unit.

**6.2 Remove From Service:** Remove the anchor from service if it has been subjected to fall arrest forces or fails inspection.

**7. INSPECTION OF ANCHOR**

Prior to each use, the user must inspect the anchor for any physical damage, wear, corrosion or missing parts. Remove the anchor from service if it has been subjected to fall arrest forces.

Inspect for:

1. cracks or fractures
2. broken welds, brackets, or rings
3. corrosion
4. bent plates or rings
5. a build-up of contaminants

If routine inspection reveals damage to the anchor, discontinue use and remove it from service.

Record inspection results on the Inspection Record found in Appendix A or on any suitable record.

**8. LABELS**

The following label must be present and legible:

|  |   |
|--|---|
| FallTech<br>800-719-4619<br>falltech.com<br><b>DO NOT REMOVE LABEL</b> | <b>RING PLATE ANCHOR</b><br>Model #: 7493B1<br>Date of Mfg: 16.03.15<br>Material: Alloy Steel<br>Capacity: 310 lbs Including Tools, Clothing, etc.<br>OSHA: 1926.502<br>Serial #: 12345678<br>Use: Install on top of sheathing into truss or rafter. Use three specified 1/4" x 2-/2" lag screws ONLY. Pre-drill 3/16" pilot hole. See manual for complete installation procedures. |
|--|---|

WARNING: MANUFACTURERS INSTRUCTIONS, LABELS AND WARNINGS, supplied with the anchor at the time of shipment MUST BE READ AND FOLLOWED BEFORE USING. Failure to do so could result in serious injury or death. Contact the manufacturer if instructions, labels, or warnings are missing. THIS ANCHOR MUST BE INSPECTED BEFORE EACH USE. DO NOT USE if anchor has any signs of cracks, corrosion, dents, deformities, or bending. If the anchor is found to be damaged or it has been subjected to fall arrest forces, remove from service immediately. Use only with other design compatible components of a comprehensive Personal Fall Arrest System. Anchor point must support a minimum of 5000 lbs. Anchor must be properly installed to support required load. Take action to avoid chemical, thermal, and electrical hazard. Avoid contact with sharp and abrasive surfaces. See instruction manual for complete installation procedures. DO NOT REMOVE LABEL.

|  |      |   |   |   |   |   |   |   |   |   |   |   |   |
|--|------|---|---|---|---|---|---|---|---|---|---|---|---|
| <b>MARK ON DATE GRID:</b><br>-Initial in-service date<br>-Date of passed inspection<br>-Inspect before each use.<br>-Competent person to inspect every 6 months.<br>Maintain critical edge distance. Ensure the anchor remains free of interference. See instruction manual for installation and proper use procedures.<br><b>DO NOT REMOVE LABEL.</b> |      | J | F | M | A | M | J | J | A | S | O | N | D |
|  | 2015 |   |   |   |   |   |   |   |   |   |   |   |   |
|  | 2016 |   |   |   |   |   |   |   |   |   |   |   |   |
|  | 2017 |   |   |   |   |   |   |   |   |   |   |   |   |
|  | 2018 |   |   |   |   |   |   |   |   |   |   |   |   |
|  | 2019 |   |   |   |   |   |   |   |   |   |   |   |   |



## Manual de instrucciones para el usuario

### Anclaje de placa con anillo

Este manual está destinado a cumplir con las instrucciones del fabricante, según lo requerido por ANSI Z359 y debe utilizarse como parte de un programa de capacitación para empleados según se requiere por la OSHA. Este manual asume que el usuario ha recibido capacitación en el uso de este equipo.

#### ADVERTENCIA

**Este producto es parte de un sistema personal de detención de caídas, de restricción, posicionamiento del trabajo, suspensión o de rescate. Un Sistema personal de detención de caídas (PFAS, por sus siglas en inglés) por lo general está compuesto de un anclaje y un Arnés de cuerpo completo (FBH, por sus siglas en inglés), con un dispositivo de conexión, es decir, una Cuerda de salvamento con amortiguación (SAL, por sus siglas en inglés), o un Dispositivo autorretráctil (SRD, por sus siglas en inglés), conectado al anillo en "D" dorsal del FBH.**

**Proporcione estas instrucciones para el usuario de este equipo. El usuario debe leer y comprender las instrucciones del fabricante para cada componente o parte del sistema completo. Siga las instrucciones del fabricante para el uso, cuidado y mantenimiento correctos de este producto. Conserve estas instrucciones y manténgalas disponibles para consulta del usuario en todo momento.**

**Las alteraciones o el uso indebido de este producto o no seguir las instrucciones pueden causar lesiones graves o la muerte. Un Plan de protección contra caídas debe estar archivado y disponible para su revisión por parte de todos los usuarios. El usuario y el comprador de este equipo tienen la responsabilidad de asegurarse de que los usuarios de este equipo están debidamente capacitados sobre su uso, mantenimiento y almacenamiento.**

**La capacitación se debe repetir a intervalos regulares. La capacitación no debe someter a los usuarios a peligros de caídas.**

**Cuando este equipo está en uso, el empleador debe tener un plan de rescate y los medios a la mano para implementarlo, y debe comunicar el plan a los usuarios, las personas autorizadas y al personal de rescate.**

Consulte a un médico si hay razones para dudar de su aptitud para absorber con seguridad el impacto de un evento de caída. La edad y el estado físico afectan gravemente a la capacidad de los trabajadores para soportar caídas. Las mujeres embarazadas y los menores de edad no deben utilizar este equipo.

**NOTA:** Para obtener más información, consulte ANSI Z359

1306 South Alameda Street  
Compton, CA 90221, USA  
1-800-719-4619  
1-323-752-0066

[www.falltech.com](http://www.falltech.com)

©2015

## ÍNDICE

### 1. DESCRIPCIÓN

1.1 Ley de Seguridad y Salud Ocupacional (OSHA)

### 2. APLICACIÓN

2.1 Objetivo

2.2 Aplicación del Sistema personal de detención de caídas

2.2.1 Aplicación de restricción

2.3 Límites de la aplicación

2.4 Rescate

### 3. REQUISITOS DEL SISTEMA

3.1 Capacidad

3.2 Compatibilidad de conectores

3.3 Compatibilidad de componentes

3.4 Realizar las conexiones

3.5 Sistema personal de detención de caídas

3.5.1 Sistema de restricción

3.6 Definiciones

### 4. INSTALACIÓN Y OPERACIÓN

#### 1. DESCRIPCIÓN

El Anclaje de placa con anillo FallTech® cubierto en este manual está diseñado para proporcionar un anclaje de protección contra caídas para las personas que trabajan en alturas en estructuras de madera y que están sujetas a peligros de caídas.

El Anclaje está destinado a ser utilizado por el personal de construcción y mantenimiento en techos residenciales y comerciales, y en otros lugares donde existen peligros de caídas.

Este manual contiene dos apéndices, el Apéndice A y el Apéndice B. El Apéndice A contiene las figuras y las tablas específicas para el Anclaje. El Apéndice B contiene las figuras y las tablas para la protección contra caídas en general. Todas las referencias de figuras, tablas y gráficos en este manual están en el Apéndice A a menos que se indique lo contrario.

Para los efectos de este manual, el anclaje, en todas sus repeticiones, se puede denominar como el Anclaje de placa con anillo, el anclaje, el equipo, el dispositivo, el producto o la unidad.

El anclaje está diseñado para ser temporal y reutilizable, siempre que no haya sido sometido a fuerzas de detención de caídas y que pase la inspección, como se describe en la sección 7 de este manual.

El anclaje también puede utilizarse como un anclaje de restricción dependiendo de la geometría del lugar de trabajo y los componentes disponibles del sistema de restricción.

El anclaje se compone de un anillo de sujeción en acero, fijado por un soporte en V que está soldado a la placa de base de acero. La placa de base tiene tres orificios para montar el anclaje a una estructura de madera con los tirafondos en los agujeros pre-taladrados. Ver la Figura 1 y la Tabla 1.

**1.1 Ley de Seguridad y Salud Ocupacional (OSHA): El anclaje descrito en este manual cumple con los reglamentos de OSHA 1926.502.**

#### 2. APLICACIÓN

**2.1 Objetivo:** El anclaje está diseñado para ser instalado en una estructura de madera del techo y para usarlo como un punto de anclaje para una sola persona para que un PFAS proteja al usuario en un evento de caída.

La unidad puede instalarse en vigas de techo, en la parte superior del revestimiento, con la placa de base centrada en una armadura o viga con un tamaño nominal mínimo de 2" por 4" (5,8 cm por 10,2 cm).

Installation fasteners, either Grade 5 SPAX® PowerLags™ 1/4" x 3" lag screws, or Simpson Strong-Tie® Strong Drive® 1/4" x 3" lag screws, are provided. Use only the fasteners specified.

El anclaje también se puede utilizar como un anclaje para aplicaciones de restricción.

El anclaje es reutilizable siempre que no haya ocurrido una carga de detención de caídas y que la unidad pase los procedimientos de inspección detallados en la Sección 7 de este manual.

**NO** utilice el anclaje para levantar herramientas o materiales.

**2.2 Aplicación del Sistema personal de detención de caídas:** El PFAS por lo general incluye un anclaje, un Arnés de cuerpo completo (FBH, por sus siglas en inglés) y un dispositivo de desaceleración, tales como una Cuerda con amortiguación (SAL), un Dispositivo autorretráctil (SRD), o un Subsistema de conexión de detenedor de caídas (FACSS) cuando se utiliza con un agarre de cuerda/SAL. Para aplicaciones con PFAS, el anclaje se instala en el campo del techo. Ver la Figura 2A. La caída máxima permisible en las aplicaciones con PFAS es seis pies (1,8 m).

**2.2.1 Aplicación de restricción:** Los sistemas de restricción están diseñados para evitar que el usuario llegue a un área de peligro de caída, como se muestra en la Figura 2B. El anclaje se puede utilizar como un sistema de restricción. Consulte el manual de instrucciones para el usuario del fabricante del sistema de restricción para información sobre la conexión y el uso.

**2.3 Límites de la aplicación:** El anclaje está sujeto a restricciones de la dirección de la carga y sobre la colocación. Utilice sólo los sujetadores especificados. Consulte la Sección 4 para obtener los detalles completos de la instalación.

**2.4 Rescate:** Las operaciones de rescate requieren de equipos especializados que están más allá del alcance de este manual. El empleador debe tener un plan de rescate por escrito, los medios para implementarlo y la capacidad de comunicar el plan a los usuarios, las personas autorizadas y a los socorristas. Consulte ANSI Z359.4-2007.

#### 3. REQUISITOS DEL SISTEMA

**3.1 Capacidad:** Limite el peso del usuario de 130 a 310 libras (59 a 140,6 kg), incluyendo ropa, herramientas, etc. No se puede conectar más de un PFAS a un anclaje en cualquier momento.

**3.2 Compatibilidad de conectores:** Los conectores son considerados compatibles con elementos de conexión cuando se han diseñado para funcionar en conjunto, de manera que sus formas y tamaños no causen que sus mecanismos de compuerta se abran inadvertidamente, de manera independiente a la forma en que queden orientados. Comuníquese con FallTech si tiene alguna pregunta acerca de la compatibilidad. Los conectores deben ser compatibles con el anclaje u otros componentes del sistema. No utilice el equipo que no sea compatible. Los conectores no

compatibles pueden soltarse accidentalmente. Los conectores deben ser compatibles en tamaño, forma y resistencia. ANSI y OSHA requiere mosquetones y ganchos de cierre y bloqueo automático. Consulte la Figura 13 en el Apéndice B para las conexiones incorrectas comunes a evitar. **NO** conecte ganchos de refuerzo a este anclaje. Una carga lateral en el pestillo puede provocar una desconexión accidental. Solo utilice mosquetones y ganchos de cierre y bloqueo automático.

**3.3 Compatibilidad de los componentes:** El equipo está diseñado para su uso sólo con componentes y subsistemas aprobados. Las sustituciones o reemplazos realizados con componentes o subsistemas no aprobados pueden poner en peligro la compatibilidad de los equipos y pueden afectar a la seguridad y la fiabilidad del sistema completo.

**3.4 Realizar las conexiones:** Utilice sólo los conectores diseñados para su uso con este equipo, adecuados a cada aplicación. Asegúrese de que todas las conexiones son compatibles en tamaño y resistencia. No utilice el equipo que no sea compatible. Asegúrese visualmente de que todos los conectores están completamente cerrados y bloqueados. Los conectores (mosquetones y ganchos de cierre automático) están diseñados para ser usados sólo como se indica en las instrucciones del usuario de cada producto.

**3.5 Sistema personal de detención de caídas:** El anclaje cumple con los requisitos de la OSHA para un anclaje de protección contra caídas. El anclaje seleccionado para el PFAS debe ser capaz de sostener una carga de:

- a) dos veces el máximo de fuerza de detención permitida cuando exista la certificación, o
- b) 5.000 libras (2.268 kg) (22.2 kN) en ausencia de la certificación.

Se debe utilizar un Arnés de cuerpo completo (FBH, por sus siglas en inglés) cuando se utiliza este equipo como un componente de un PFAS.

Si se debe exceder la distancia máxima de caída libre, el empleador debe documentar, con base en los datos de prueba, que no se excederá de la fuerza máxima de detención, y que el sistema personal de detención de caídas funcionará correctamente.

**3.5.1 Sistema de restricción:** El anclaje seleccionado para restricción debe poder sostener una carga estática aplicada en la dirección permitida por el sistema de al menos:

- a) dos veces la fuerza previsible cuando exista la certificación, o
- b) 1.000 libras (453,6 kg) (4.4 kN) en ausencia de la certificación.

Se debe utilizar un Arnés de cuerpo completo (FBH, por sus siglas en inglés) cuando se utiliza este equipo como un componente de un sistema de restricción. Según lo requiere la OSHA, el sistema de restricción debe evitar que el usuario llegue a un área de peligro de caída. La caída libre no está permitida.

**3.6 Definiciones:** Las siguientes son las definiciones de los términos.

**Persona autorizada:** Una persona asignada por el empleador para realizar sus obligaciones en un lugar donde la persona estará expuesta a un peligro de caída (de lo contrario, se denomina como "usuario" a los efectos de estas instrucciones).

**Anclaje certificado:** Un anclaje para detención de caídas, posicionamiento, restricción, o sistemas de rescate que una persona calificada certifica de que puede soportar las posibles fuerzas de caída, las cuales podrían presentarse durante una caída o que cumple con los criterios para un anclaje certificado previsto en la norma.

**Persona competente:** Una persona que es capaz de identificar los peligros existentes y predecibles en los alrededores o condiciones de trabajo que son insalubres o peligrosas para los empleados, y quien tiene la autorización para tomar con prontitud medidas correctivas para eliminarlos.

**Persona calificada:** Una persona con un título o certificado profesional reconocido y con amplios conocimientos, capacitación y experiencia en la protección contra caídas y el campo de rescate, quien es capaz de diseñar, analizar, evaluar y especificar los sistemas de protección contra caídas y sistemas de rescate en la medida exigida por la norma.

**Socorrista:** Persona o personas distintas al sujeto que actúa en la realización de un rescate asistido por la operación de un sistema de rescate.

## 4. INSTALACIÓN Y OPERACIÓN

### ADVERTENCIA

**No altere ni utilice este equipo de manera indebida o intencional. Consulte a FallTech cuando utiliza este equipo en combinación con componentes o subsistemas distintos a los descritos en este manual.**

**No utilice ganchos de refuerzo, mosquetones grandes o ganchos de cierre instantáneo grandes para conectar a los anillos en "D" dorsales del FBH o a cualquier punto de anclaje no compatible de diámetro pequeño, ya que esto puede causar una condición de vuelco y/o la desconexión involuntaria.**

**Tenga cuidado y tome medidas para evitar las superficies y bordes excesivamente afilados y/o abrasivos.**

**Evite los riesgos eléctricos. Tenga cuidado al realizar la soldadura por arco. El destello de arco de las operaciones de soldadura por arco, incluyendo los arcos accidentales de los equipos eléctricos, pueden dañar los equipos, provocar lesiones graves y son potencialmente mortales.**

**Examine el área de trabajo. Sea consciente de los alrededores y los peligros en el lugar de trabajo que pueden influir en la seguridad y el funcionamiento de los sistemas de detención de caídas y los componentes auxiliares. Los riesgos pueden incluir, pero no se limitan a los peligros de tropezos con cables o desperdicios, los fallos del equipo, los errores del personal, los equipos en movimiento, tales como carros, carretas, montacargas, grúas, o carretillas. No permita que los materiales, herramientas, o equipos en tránsito entren en contacto con cualquier parte del anclaje o sistema de detención de caídas y/o componentes auxiliares. Preste especial atención a la cuerda de salvamento. No trabaje debajo de cargas en suspensión.**

La instalación de los anclajes debe estar bajo la supervisión de una Persona competente, capacitada en su diseño y uso.

**NOTA:** La protección contra caídas aprobada puede ser necesaria durante la instalación del anclaje descrito en este manual.

**NO** utilice cualquier anclaje descrito en este manual hasta que el sistema se haya instalado, inspeccionado, y aprobado por completo para su uso por parte de una Persona competente.

Cuando el anclaje está instalado como un punto único con tirafondos, el anclaje cumple con la OSHA como un anclaje para 5.000 libras (2.268 kg) cuando se carga en la forma y la dirección detalladas en este manual.

**4.1 Distancia de caída despejada:** Tome medidas para reducir el peligro de caídas. Asegúrese de que haya suficiente espacio libre en el área de caída para detener la caída antes de que entre en contacto con el suelo u otros objetos. La distancia despejada necesaria depende del tipo de subsistema de conexión utilizado (SAL, SRD, etc.). Las condiciones de caídas con balanceo aumentarán el requisito de caída despejada. Consulte el manual de instrucciones para el usuario proporcionado por el fabricante del PFAS.



**4.2 Caída con balanceo:** La caída con balanceo se produce cuando el punto de anclaje no está directamente por encima del punto donde ocurre la caída, como se muestra en la Figura 6 del Apéndice B. La distancia total de caída se puede aumentar considerablemente durante una caída con balanceo. La fuerza de golpear un objeto en una caída con balanceo puede causar lesiones graves. Minimice las caídas con balanceo al instalar los anclajes a por lo menos seis pies (1,8 m) de los bordes expuestos del techo y al trabajar lo más directamente posible por debajo del punto de anclaje. Mueva el anclaje según sea necesario o instale anclajes adicionales a no más de 8 pies (2,4 m) de distancia.

Los lugares de trabajo varían. Algunos pueden requerir recorridos laterales. Considere los riesgos de balanceo y los requisitos de caída despejada. Consulte el manual de instrucciones para el usuario proporcionado por el fabricante del sistema de protección contra caídas.

**4.3 Ubicación de la instalación:** Inspeccione el anclaje antes de cada uso de acuerdo con el procedimiento de inspección indicado en la sección 7 de este manual. Considere las condiciones y circunstancias que puedan afectar a la seguridad del usuario. Seleccione un punto de anclaje adecuado, en el campo o en un lugar adyacente a la cima pero no justo sobre ella. Asegúrese de que la ubicación seleccionada apoyará el requisito de resistencia, y minimizará los riesgos de caída libre y caída con balanceo, como se muestra en la Figura 3.

La persona competente debe desarrollar un plan del sitio para asegurarse de que la ubicación elegida esté a un mínimo de 6 pies (1,8 m) de cualquier borde expuesto, y no esté en un gablete, alero o faja, o en madera podrida o carcomida. Asegúrese de que el anclaje se coloque para una correcta dirección de la carga, como se muestra en la Figura 4.

Asegúrese de que hay varios anclajes instalados con una distancia mínima de 8 pies (2,4 m) entre ellos. Para los techos con cumbrera, instale al menos un anclaje por el frente de la cumbrera, como se muestra en la Figura 5. Asegúrese de que el sitio elegido puede proporcionar la distancia suficiente de caída despejada.

**4.4 Instalar el anclaje:** Instale el anclaje en la parte superior del revestimiento, directamente sobre un puntal o viga. Oriente la placa para que el extremo estrecho quede cuesta arriba, apuntando hacia el caballete del techo, y el cuadrado más grande quede cuesta abajo, como se muestra en la Figura 6. Los tirafondos de instalación deben fijar el centro del puntal o viga.

Para evitar dividir la madera, taladre un agujero piloto de 3/16" para cada tornillo. Utilice una punta de destornillador de 3/8" para atornillar los tres tirafondos SPAX o Simpson Strong Tie de 1/4" x 3", tal como se muestra en la Figura 5. Utilice sólo los tornillos especificados. Consultar la Tabla 1.

#### **NO**

- instale sobre material de techo ya existente tales como arcilla, pizarra, hormigón o azulejos españoles, sobre tabloncillos de madera o metal o tejas de madera.  
NOTA: El anclaje se puede instalar sobre baldosas de asfalto. Asegúrese de que por lo menos 2-1/2" de cada tornillo se acopla a la viga o el puntal.
- monte un anclaje directamente sobre un puntal sin sustrato de revestimiento.
- monte el anclaje en las áreas sin apoyo del techo, tales como los aleros, gabletes y salientes.
- utilice un anclaje montado ladera abajo en el lado opuesto del pico. Instale un anclaje separado.
- utilice el anclaje hasta que el sistema se haya instalado, inspeccionado, y aprobado por completo para su uso por parte de una Persona competente.
- trabaje por encima del anclaje

**4.5. Conectar el PFAS o sistema de restricción al anclaje del techo:** Conecte al anclaje de techo con un PFAS aprobado. Un SRD o Cuerda de salvamento vertical se puede conectar al anclaje o sistema de restricción. No conecte un gancho de refuerzo o un mosquetón de apertura grande al anclaje. Trabaje por debajo del anclaje. Consulte las instrucciones para el usuario proporcionadas por el fabricante del PFAS para obtener más detalles. Tenga precaución en un techo inclinado normal y evite las caídas con balanceo. No cruce sobre el caballete o un techo a dos aguas.

**4.6 Después de la caída:** Cualquier equipo sometido a fuerzas de detención de caídas o que muestre algún daño consecuente con el efecto de un evento de caída debe ser retirado de servicio de forma inmediata.

**4.7. Al concluir el trabajo:** El anclaje está diseñado como un anclaje temporal reutilizable, que se puede remover y volver a instalar. No hale el anillo de conexión para desconectar el anclaje, retire los tirafondos. El usuario debe realizar cualquier reparación estructural o del techo que sea necesaria, la cual resulte de la instalación, uso y desinstalación del anclaje.

## **5. ESPECIFICACIONES**

Ver Tabla 1.

## **6. MANTENIMIENTO Y ALMACENAMIENTO**

No hay mantenimiento periódico requerido para este equipo.

**6.1 Almacenamiento:** Cuando no está instalado, almacene en un área limpia y seca. Evite la luz directa del sol y la exposición a elementos ambientales. No coloque otros equipos u objetos sobre los anclajes. No almacene de una manera que permita que otros equipos doblen, agrieten, contaminen o dañen la unidad.

**6.2 Retirar de servicio:** Retire el anclaje de servicio si se ha sometido a fuerzas de detención de caída o no pasa la inspección.

## **7. INSPECCIÓN DE ANCLAJE**

Antes de cada uso, el usuario deberá inspeccionar el anclaje para detectar cualquier daño físico, desgaste, corrosión o piezas faltantes. Retire el anclaje de servicio si se ha sometido a fuerzas de detención de caída.

Inspeccionar para ver si tiene:

1. grietas o fracturas
2. soldaduras, soportes o anillos rotos
3. corrosión
4. placas o anillos doblados
5. una acumulación de contaminantes

Si la inspección de rutina revela daños en el anclaje, discontinúe el uso y retírelo de servicio.

Registre los resultados de la inspección en el Registro de inspección que se encuentra en el Apéndice A, o en otro registro adecuado.

## **8. ETIQUETAS**

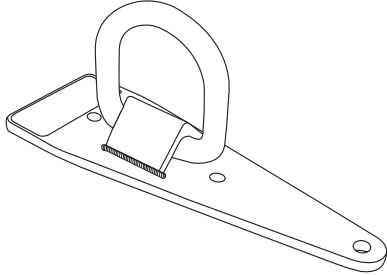
La siguiente etiqueta debe estar presente y legible:

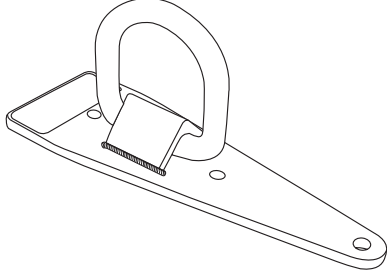
|  |  |
|--|--|
| FallTech<br>800-719-4619<br>falltech.com<br><b>DO NOT REMOVE LABEL</b> | <b>RING PLATE ANCHOR</b><br>Model #: 7493B1<br>Date of Mfg: 16.03.15<br>Material: Alloy Steel<br>Capacity: 310 lbs Including Tools, Clothing, etc.<br>OSHA: 1926.502<br>Serial #: 12345678<br>Use: Install on top of sheathing into truss or rafter. Use three specified 1/4" x 2-1/2" lag screws ONLY. Pre-drill 3/16" pilot hole. See manual for complete installation procedures. |
|--|--|

**WARNING: MANUFACTURERS INSTRUCTIONS, LABELS AND WARNINGS, supplied with the anchor at the time of shipment MUST BE READ AND FOLLOWED BEFORE USING.** Failure to do so could result in serious injury or death. Contact the manufacturer if instructions, labels, or warnings are missing. **THIS ANCHOR MUST BE INSPECTED BEFORE EACH USE. DO NOT USE** if anchor has any signs of cracks, corrosion, dents, deformities, or bending. If the anchor is found to be damaged or it has been subjected to fall arrest forces, remove from service immediately. Use only with other design compatible components of a comprehensive Personal Fall Arrest System. Anchor point must support a minimum of 5000 lbs. Anchor must be properly installed to support required load. Take action to avoid chemical, thermal, and electrical hazard. Avoid contact with sharp and abrasive surfaces. See instruction manual for complete installation procedures. **DO NOT REMOVE LABEL.**

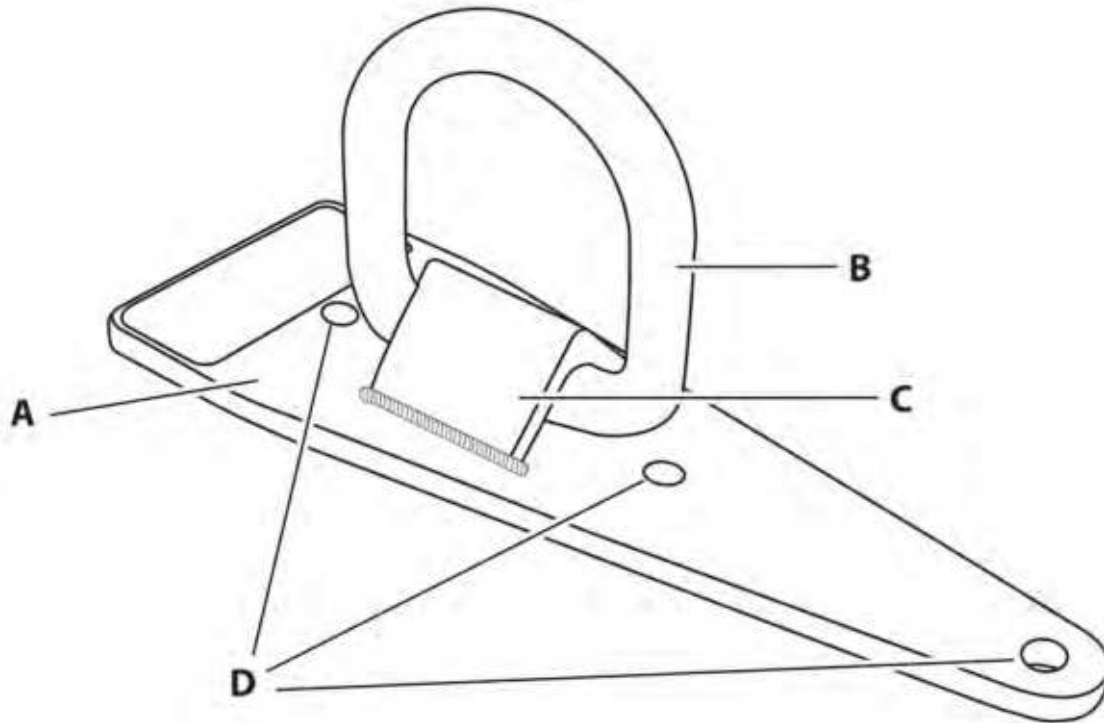
|  |      |   |   |   |   |   |   |   |   |   |   |   |   |
|--|------|---|---|---|---|---|---|---|---|---|---|---|---|
| <b>MARK ON DATE GRID:</b><br>-Initial in-service date<br>-Date of passed inspection<br>-Inspect before each use.<br>-Competent person to inspect every 6 months.<br>Maintain critical edge distance. Ensure the anchor remains free of interference. See instruction manual for installation and proper use procedures.<br><b>DO NOT REMOVE LABEL.</b> |      | J | F | M | A | M | J | J | A | S | O | N | D |
|  | 2015 |   |   |   |   |   |   |   |   |   |   |   |   |
|  | 2016 |   |   |   |   |   |   |   |   |   |   |   |   |
|  | 2017 |   |   |   |   |   |   |   |   |   |   |   |   |
|  | 2018 |   |   |   |   |   |   |   |   |   |   |   |   |
|  | 2019 |   |   |   |   |   |   |   |   |   |   |   |   |

**APPENDIX A**

| <b>Table 1: Specifications for Ring Plate Anchor for Wood</b>   |  |   |  |  |   |
|---|--|---|--|--|---|
| <b>Designation Type and Part #</b>  | <b>Dimensions</b>  | <b>Description and Material</b>   | <b>Minimum Tensile Strength</b>  | <b>Maximum User Capacity</b>   | <b>Anchor</b>   |
| <p>Temporary Reusable Anchor</p> <p><b>7493B1</b></p> <p>for wood frame structures</p> <p>with 3 pcs SPAX® Grade 5 1/4" x 3" Lag Screws</p> | <p><b>Anchoring Plate:</b><br/>1/4" x 3" x 9"<br/>with 3 Screw Holes</p> <p><b>D-Ring:</b><br/>with 2-1/4" Inside Diameter</p> | <p><b>Anchoring Plate:</b><br/>Powder Coated Carbon Steel</p> <p><b>D-Ring:</b><br/>Powder Coated Alloy Steel</p> | <p><b>D-Ring and Anchoring Plate:</b><br/>5,000 lbs Tensile Strength</p> | <p>310 lbs to comply with ANSI Z359.1 and OSHA</p> <p>425 lbs to comply with OSHA only</p> |  |

| <b>Tabla 1: Especificaciones para el Anclaje de placa con anillo para madera</b>   |  |   |   |   |   |
|--|--|---|---|---|---|
| <b>Tipo de denominación y No. de pieza</b>   | <b>Dimensiones</b>   | <b>Descripción y Material</b>   | <b>Resistencia mínima a la tensión</b>  | <b>Capacidad de usuario máxima</b>  | <b>Anclaje</b>  |
| <p>Anclaje temporal reutilizable</p> <p><b>7493B1</b></p> <p>para estructuras de marco de madera</p> <p>con 3 tirafondos SPAX® Grado 5 1/4" x 3"</p> | <p><b>Placa de anclaje:</b><br/>1/4" X 3" x 9"<br/>con 3 orificios para tornillos</p> <p><b>Anillo en "D":</b><br/>Con diámetro interior de 2-1/4"</p> | <p><b>Placa de anclaje:</b><br/>Acero al carbono revestido con pintura en polvo</p> <p><b>Anillo en "D":</b><br/>Aleación de acero revestido con pintura en polvo</p> | <p><b>Anillo en "D" y placa de anclaje:</b><br/>Resistencia a la tensión de 5.000 libras (2.268 kg)</p> | <p>310 libras (140,6 kg) para cumplir con ANSI Z359.1 y OSHA</p> <p>425 libras (192,8 kg) para cumplir con OSHA solamente</p> |  |

TSRA1.2



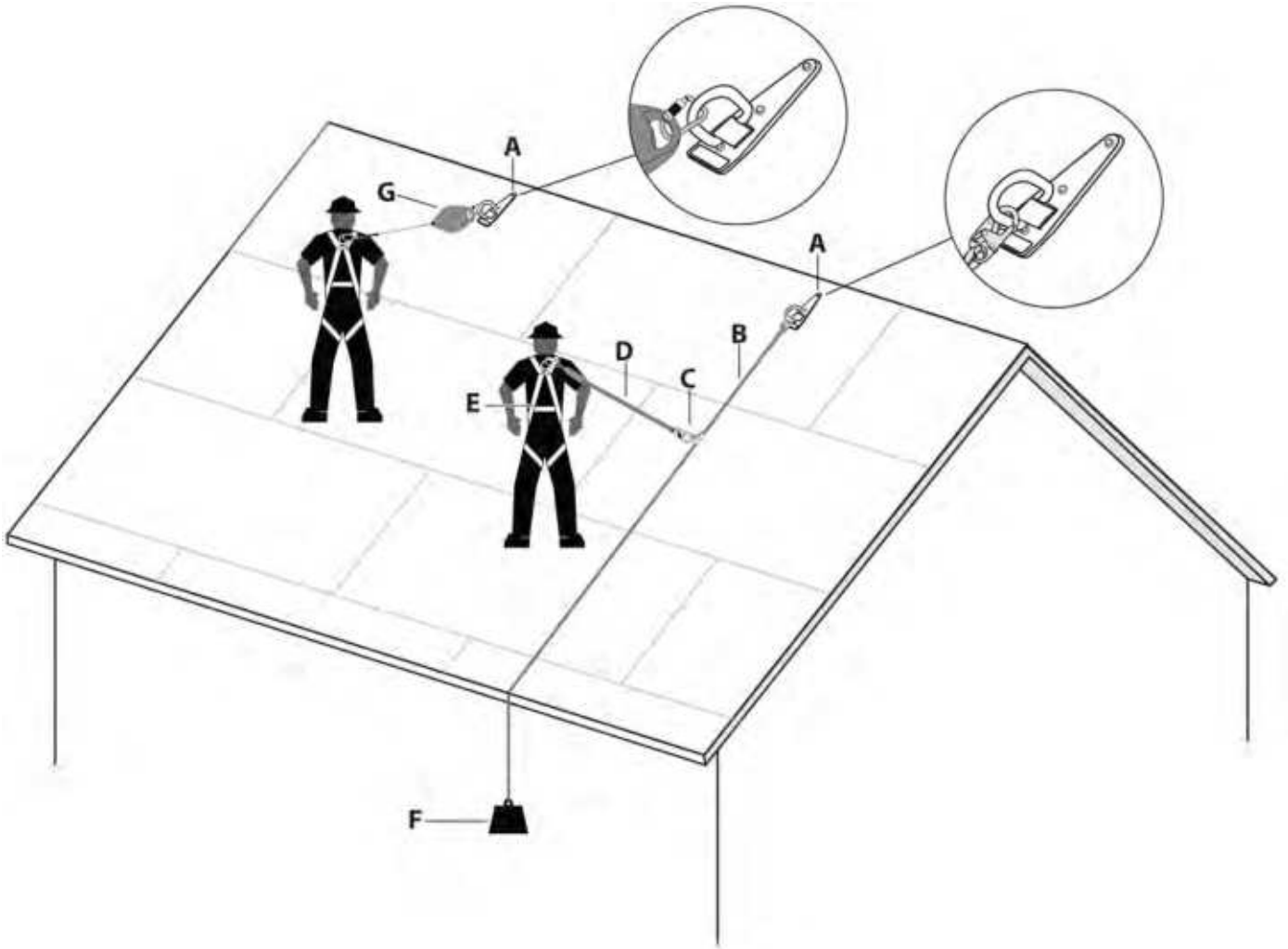
**Figure 1: About Ring Plate Anchor for Wood**

|          |                      |
|----------|----------------------|
| <b>A</b> | Anchoring Plate      |
| <b>B</b> | Connecting D-Ring    |
| <b>C</b> | Welded D-Ring Holder |
| <b>D</b> | Screw Holes (3)      |

**Figura 1: Acerca del Anclaje de placa con anillo para madera**

|          |                                   |
|----------|-----------------------------------|
| <b>A</b> | Placa de anclaje                  |
| <b>B</b> | Anillo en "D" de conexión         |
| <b>C</b> | Soporte soldado del anillo en "D" |
| <b>D</b> | Orificios para tornillos (3)      |

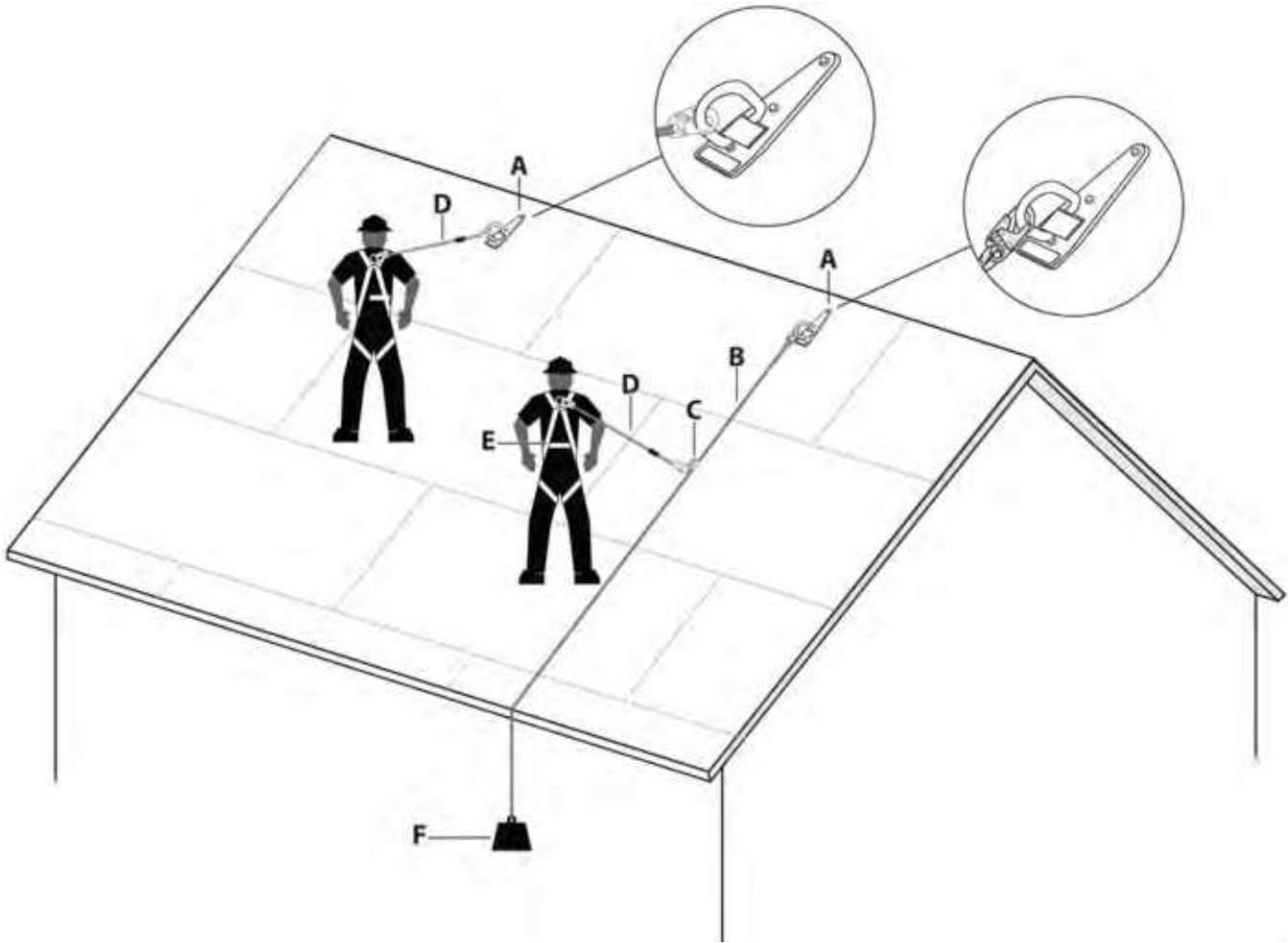
TSRA1.1



| <b>Figure 2A: Roof Anchors for Fall Arrest with VLL or SRD</b> |                               |
|--|-------------------------------|
| <b>A</b>   | Roof Anchor                   |
| <b>B</b>   | Vertical Lifeline (VLL)       |
| <b>C</b>   | Fall Arrestor/Rope Grab       |
| <b>D</b>   | Shock Absorbing Lanyard (SAL) |
| <b>E</b>   | Full Body Harness (FBH)       |
| <b>F</b>   | Minimum 5 lb. Counterweight   |
| <b>G</b>   | Self-Retracting Device (SRD)  |

| <b>Figura 2A: Anclajes de techo para detención de caídas con VLL o SRD</b> |  |
|--|--|
| <b>A</b>   | Anclaje para techo                           |
| <b>B</b>   | Cuerda de salvamento vertical (VLL)          |
| <b>C</b>   | Detenedor de caídas/Agarre de cuerda         |
| <b>D</b>   | Cuerda de salvamento con amortiguación (SAL) |
| <b>E</b>   | Arnés de cuerpo completo (FBH)               |
| <b>F</b>   | Contrapeso mínimo de 5 libras (2,3 kg)       |
| <b>G</b>   | Dispositivo autorretráctil (SRD)             |

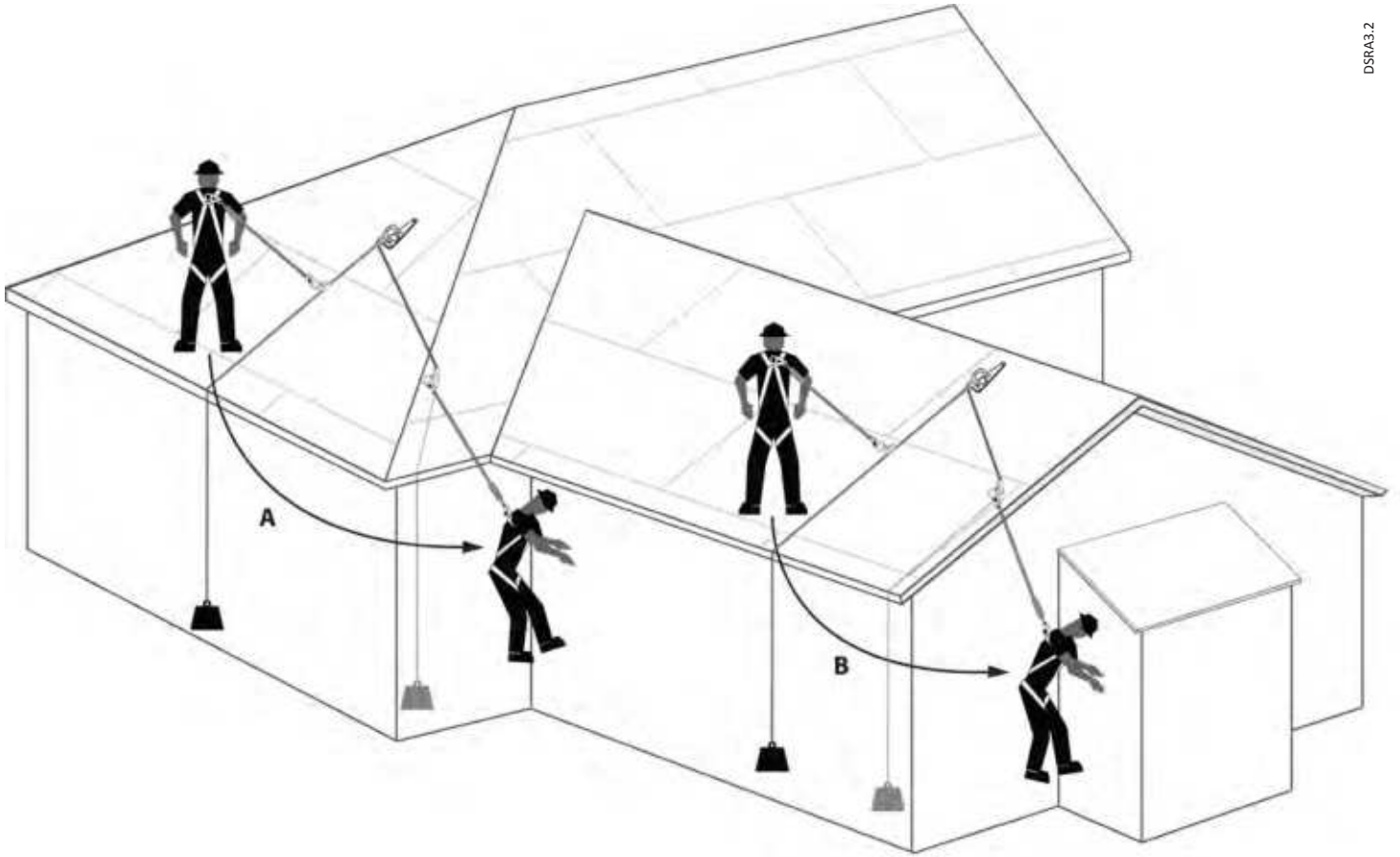
TSRAZA.2



| <b>Figure 2B: Roof Anchors for Restraint Applications</b> |                             |
|---|-----------------------------|
| A   | Roof Anchor                 |
| B   | Vertical Lifeline (VLL)     |
| C   | Rope Adjuster/Rope Grab     |
| D   | Restraint Lanyard           |
| E   | Full Body Harness (FBH)     |
| F   | Minimum 5 lb. Counterweight |

| <b>Figura 2B: Anclajes de techo para aplicaciones de restricción</b> |  |
|--|--|
| A  | Anclaje para techo                     |
| B  | Cuerda de salvamento vertical (VLL)    |
| C  | Ajustador de cuerda/Agarre de cuerda   |
| D  | Cuerda de restricción                  |
| E  | Arnés de cuerpo completo (FBH)         |
| F  | Contrapeso mínimo de 5 libras (2,3 kg) |

TSRA2.B.2



| Figure 3: Typical Swing Fall Hazards from Roofs |  |
|---|--|
| A   | From a Hip Roof into an adjoining wall           |
| B   | From a Gable Roof into a lower level obstruction |

| Figura 3: Peligros típicos de caída con balanceo desde el techo |   |
|---|---|
| A   | Desde un techo con cumbrera a una pared adyacente                 |
| B   | Desde un techo a dos aguas a una obstrucción en un nivel inferior |

TSRA3.1

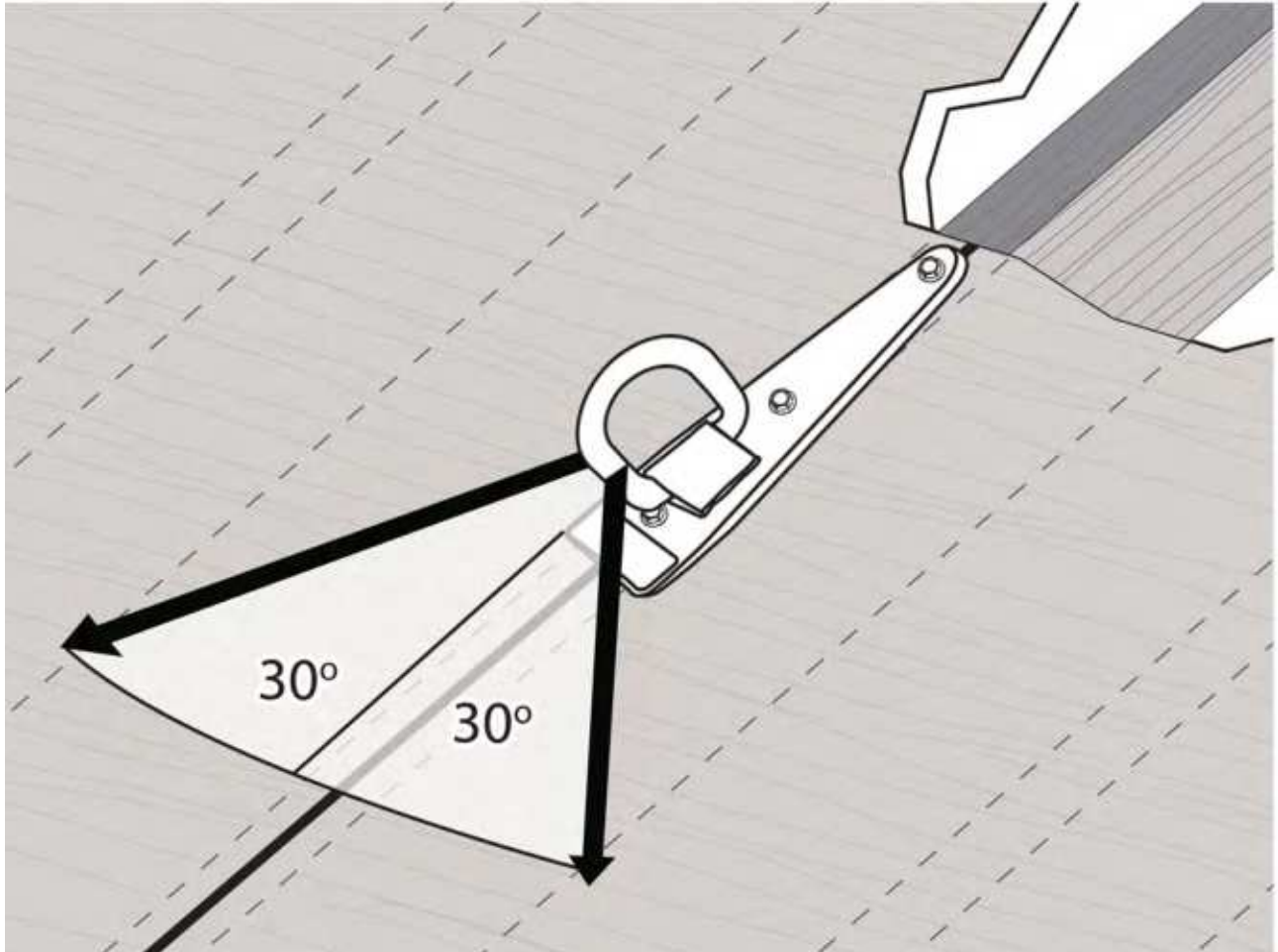
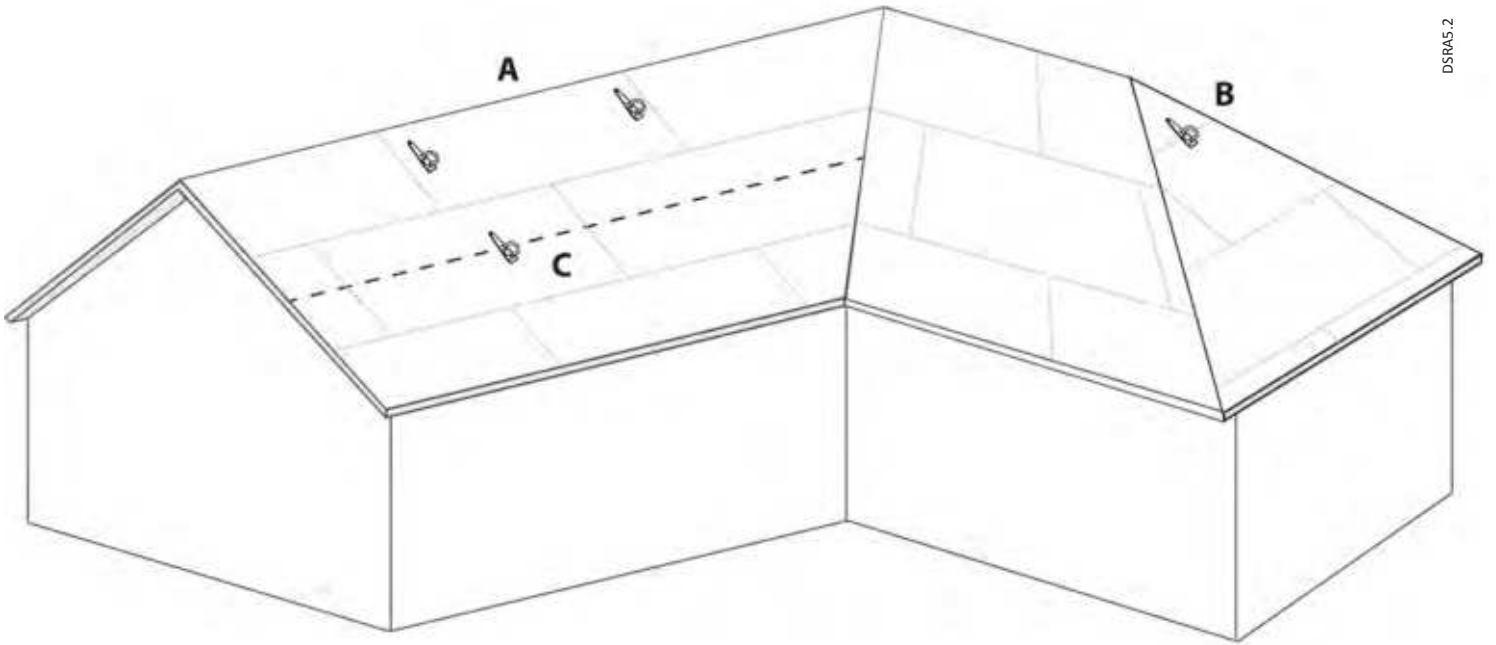


Figure 4: Suitable Load Direction for Ring Plate Anchor

Figura 4: Dirección de carga adecuada para el Anclaje de placa con anillo

FSRA4.1





**Figure 5: Typical Roof Site Plan for Roof Anchors**

| Figure 5: Typical Roof Site Plan for Roof Anchors |            |  |
|---|------------|--|
| <b>A</b>  | Roof Ridge | No more than 8' of spacing between roof anchors installed near Roof Ridges |
| <b>B</b>  | Hip Face   | At least one (1) roof anchor on each Hip Face                              |
| <b>C</b>  | Roof Edge  | No less than 6' from any exposed Roof Edge                                 |

**Figura 5: Plan típico del sitio del techo para los anclajes para techo**

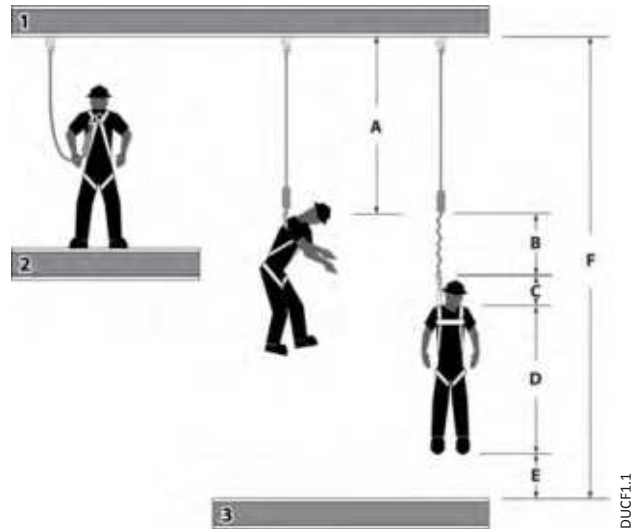
| Figura 5: Plan típico del sitio del techo para los anclajes para techo |                     |   |
|--|---------------------|---|
| <b>A</b>   | Caballote del techo | No más de 8 pies (2,4 m) de espacio entre los anclajes de techo instalados cerca a los caballetes del techo |
| <b>B</b>   | Frente de cumbrera  | Por lo menos un (1) anclaje para techo en cada cumbrera   |
| <b>C</b>   | Borde del techo     | No menos de 6 pies (1,8 m) de cualquier borde expuesto del techo  |

TSRA5.2

## APPENDIX B

| <b>Fig. 1 - Minimum Clear Fall Requirement: 6 ft Shock Absorbing Lanyard</b><br>Measured from Overhead Anchorage Connector |        |  |
|--|--------|--|
| A  | 6 ft   | <b>Length of Shock Absorbing Lanyard</b><br>Original working length before a fall event occurs/before activation of energy absorber                            |
| B  | 4 ft   | <b>Elongation/Deceleration Distance</b><br>Maximum allowable amount of elongation that may payout from the energy absorber upon activation during a fall event |
| C  | 1 ft   | <b>Harness Stretch and Dorsal D-Ring Shift</b><br>Combined amount of harness webbing elongation and dorsal back D-ring up-shift during entire fall event       |
| D  | 5 ft   | <b>Height of Dorsal D-ring</b><br>Typical average height of the dorsal D-Ring on a user's full body harness measured from the walking/working surface up       |
| E  | 1½ ft  | <b>Safety Factor</b><br>Added length to account for other factors such as an improperly adjusted harness, actual worker height or worker weight                |
| F  | 17½ ft | <b>Total Minimum Clear Fall Distance Required</b>  |

1. Overhead Anchorage 2. Walking/Working Surface 3. Nearest Lower Level or Obstruction



| <b>Fig. 1 - Requerimiento mínimo de claridad: línea de vida con amortiguación de impactos de 6 pies</b><br>Medida desde el conector de anclaje superior |                     |   |
|---|---------------------|---|
| A   | 6 pies<br>(1,8 m)   | <b>Longitud de la línea de vida con amortiguación de impactos</b><br>Longitud de trabajo original antes de ocurrir un evento de caída/antes de la activación del amortiguador de impactos             |
| B   | 4 pies<br>(1,2 m)   | <b>Distancia de elongación/desaceleración</b><br>Cantidad máxima permitida de elongación que se puede emplear del amortiguador de energía al activarse durante un evento de caída                     |
| C   | 1 pie<br>(0,3 m)    | <b>Cambio del anillo en "D" dorsal y tramo del arnés</b><br>Cantidad combinada de la elongación de la red del arnés y el cambio del anillo en "D" dorsal durante un evento de caída completa          |
| D   | 5 pies<br>(1,5 m)   | <b>Altura del anillo en "D" dorsal</b><br>Altura típica promedio del anillo en "D" dorsal en el arnés de cuerpo completo de un usuario, medida desde la superficie para caminar/trabajar hacia arriba |
| E   | 1½ pies<br>(0,5 m)  | <b>Factor de seguridad</b><br>Longitud agregada para contar otros factores tales como un ajuste inapropiado del arnés, la altura real del trabajador o el peso del trabajador                         |
| F   | 17½ pies<br>(5,3 m) | <b>Distancia mínima total de caída despejada requerida</b>  |

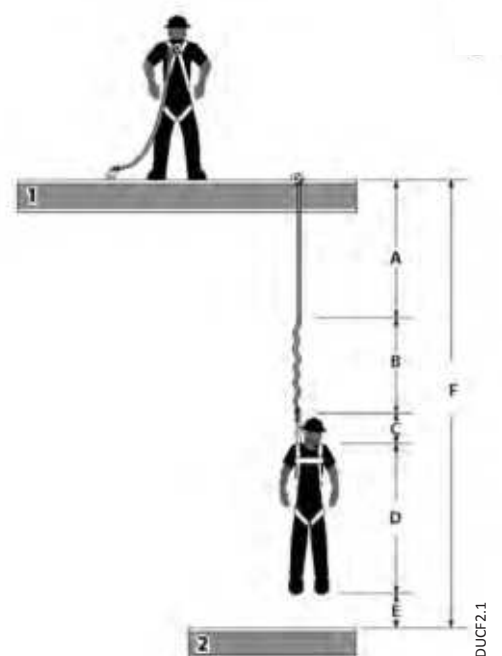
1. Anclaje superior 2. Superficie para caminar/trabajar 3. Nivel inferior más cercano u obstrucción

TUCF1.2

DUCF1.1

| <b>Fig. 2 - Minimum Clear Fall Requirement: 12 ft Free Fall Lanyard</b><br>Measured from Foot Level Anchorage Connector |        |  |
|---|--------|--|
| A   | 6 ft   | <b>Length of Shock Absorbing Lanyard</b><br>Original working length before a fall event occurs/before activation of energy absorber                            |
| B   | 5 ft   | <b>Elongation/Deceleration Distance</b><br>Maximum allowable amount of elongation that may payout from the energy absorber upon activation during a fall event |
| C   | 1 ft   | <b>Harness Stretch and Dorsal D-Ring Shift</b><br>Combined amount of harness webbing elongation and dorsal back D-ring up-shift during entire fall event       |
| D   | 5 ft   | <b>Height of Dorsal D-ring</b><br>Typical average height of the dorsal D-Ring on a user's full body harness measured from the walking/working surface up       |
| E   | 1½ ft  | <b>Safety Factor</b><br>Added length to account for other factors such as an improperly adjusted harness, actual worker height or worker weight                |
| F   | 18½ ft | <b>Total Minimum Clear Fall Distance Required</b>  |

1. Walking/Working Surface 2. Nearest Lower Level or Obstruction



| <b>Fig. 2 - Requisito mínimo de caída despejada: línea de vida con amortiguación de impactos para caídas de hasta 12 pies</b><br>Medida desde el conector de anclaje superior |                     |   |
|---|---------------------|---|
| A   | 6 pies<br>(1,8 m)   | <b>Longitud de la línea de vida con amortiguación</b><br>Longitud de trabajo original antes de ocurrir un evento de caída/antes de la activación del amortiguador de energía                          |
| B   | 5 pies<br>(1,5 m)   | <b>Distancia de elongación/desaceleración</b><br>Cantidad máxima permitida de elongación que se puede emplear del amortiguador de energía al activarse durante un evento de caída                     |
| C   | 1 pie<br>(0,3 m)    | <b>Cambio del anillo en "D" dorsal y tramo del arnés</b><br>Cantidad combinada de la elongación de la red del arnés y el cambio del anillo en "D" dorsal durante un evento de caída completa          |
| D   | 5 pies<br>(1,5 m)   | <b>Altura del anillo en "D" dorsal</b><br>Altura típica promedio del anillo en "D" dorsal en el arnés de cuerpo completo de un usuario, medida desde la superficie para caminar/trabajar hacia arriba |
| E   | 1½ pies<br>(0,5 m)  | <b>Factor de seguridad</b><br>Longitud agregada para contar otros factores tales como un ajuste inapropiado del arnés, la altura real del trabajador o el peso del trabajador                         |
| F   | 18½ pies<br>(5,6 m) | <b>Distancia mínima total de caída despejada requerida</b>  |

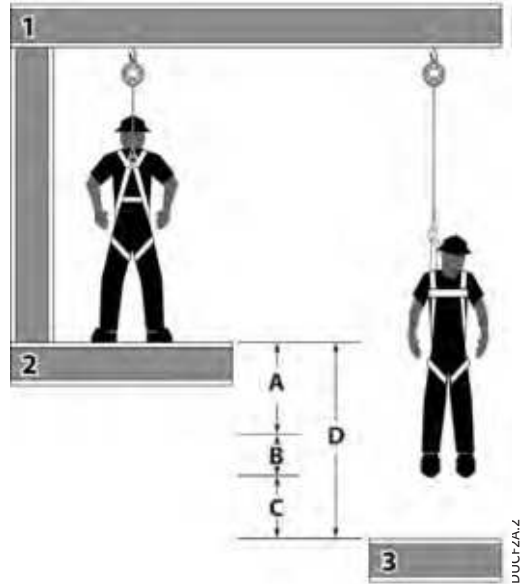
1. Superficie para caminar/trabajar 2. Nivel inferior más cercano u obstrucción

TUCF2.2

DUCF2.1

| Fig. 3 - Minimum Clear Fall Requirement: ANSI Class A Self-Retracting Device |       |  |
|--|-------|--|
| A  | 2 ft  | <b>Activation/Deceleration Distance</b><br>Maximum allowable length of cable or web that may payout from the SRD once deceleration of the user has begun and after a fall event occurs |
| B  | 1 ft  | <b>Harness Stretch and Dorsal D-Ring Shift</b><br>Combined amount of harness webbing elongation and dorsal D-ring up-shift during entire fall event                                    |
| C  | 1½ ft | <b>Safety Factor</b><br>Added length to account for other factors such as an improperly adjusted harness, actual worker height or worker weight  |
| D  | 4½ ft | <b>Total Minimum Clear Fall Distance Required</b>  |

1. Overhead Anchorage 2. Walking/Working Surface 3. Nearest Lower Level or Obstruction



| Fig. 3 - Requisito mínimo de caída despejada: Dispositivo auto-retráctil Tipo A de ANSI |                    |  |
|---|--------------------|--|
| A   | 2 pies<br>(0,6 m)  | <b>Distancia de activación/desaceleración</b><br>Distancia máxima permitida del cable o red que puede emplearse desde el SRD una vez que la desaceleración del usuario ha comenzado y después de que ocurra un evento de caída |
| B   | 1 pie<br>(0,3 m)   | <b>Cambio del anillo en "D" dorsal y tramo del arnés</b><br>Cantidad combinada de la elongación de la red del arnés y el cambio del anillo en "D" dorsal durante un evento de caída completa                                   |
| C   | 1½ pies<br>(0,5 m) | <b>Factor de seguridad</b><br>Longitud agregada para contar otros factores tales como un ajuste inapropiado del arnés, la altura real del trabajador o el peso del trabajador  |
| D   | 4½ pies<br>(1,4 m) | <b>Distancia mínima total de caída despejada requerida</b>   |

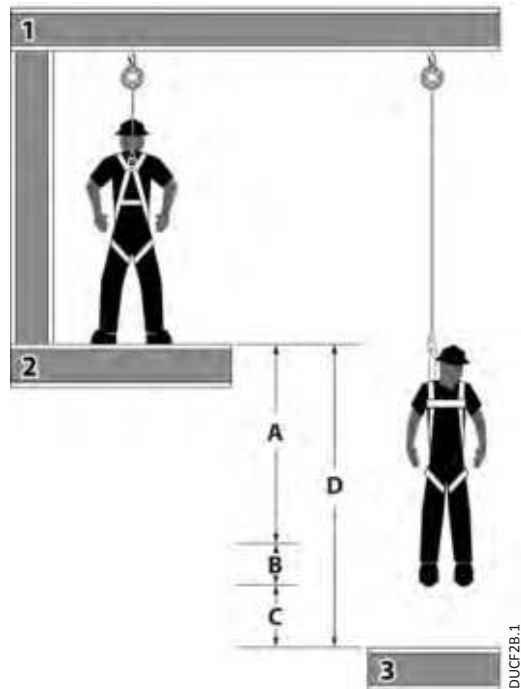
1. Anclaje superior 2. Superficie para caminar/trabajar 3. Nivel inferior más cercano u obstrucción

TUCFZA.2

DUCFZA.2

| Fig. 4 - Minimum Clear Fall Requirement: ANSI Class B Self-Retracting Device |       |  |
|--|-------|--|
| A  | 4½ ft | <b>Activation/Deceleration Distance</b><br>Maximum allowable length of cable or web that may payout from the SRD once deceleration of the user has begun and after a fall event occurs |
| B  | 1 ft  | <b>Harness Stretch and Dorsal D-Ring Shift</b><br>Combined amount of harness webbing elongation and dorsal D-ring up-shift during entire fall event                                    |
| C  | 1½ ft | <b>Safety Factor</b><br>Added length to account for other factors such as an improperly adjusted harness, actual worker height or worker weight  |
| D  | 7 ft  | <b>Total Minimum Clear Fall Distance Required</b>  |

1. Overhead Anchorage 2. Walking/Working Surface 3. Nearest Lower Level or Obstruction



| Fig. 4 - Requisito mínimo de caída despejada: Dispositivo auto-retráctil Tipo B de ANSI |                    |  |
|---|--------------------|--|
| A   | 4½ pies<br>(1,4 m) | <b>Distancia de activación/desaceleración</b><br>Distancia máxima permitida del cable o red que puede emplearse desde el SRD una vez que la desaceleración del usuario ha comenzado y después de que ocurra un evento de caída |
| B   | 1 pie<br>(0,3 m)   | <b>Cambio del anillo en "D" dorsal y tramo del arnés</b><br>Cantidad combinada de la elongación de la red del arnés y el cambio del anillo en "D" dorsal durante un evento de caída completa                                   |
| C   | 1½ pies<br>(0,5 m) | <b>Factor de seguridad</b><br>Longitud agregada para contar otros factores tales como un ajuste inapropiado del arnés, la altura real del trabajador o el peso del trabajador  |
| D   | 7 pies<br>(2,1 m)  | <b>Distancia mínima total de caída despejada requerida</b>   |

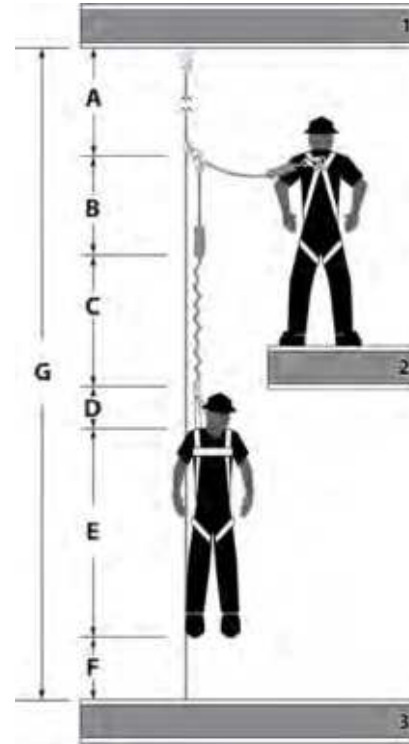
1. Anclaje superior 2. Superficie para caminar/trabajar 3. Nivel inferior más cercano u obstrucción

TUCFZB.1

DUCFZB.1

| <b>Fig. 5 - Managing Stretch</b><br>Minimum Clear Fall Requirement: Vertical Lifeline System |                 |  |
|--|-----------------|--|
| *A   | Stretch         | <b>Stretch of Vertical Lifeline</b><br>Stretch = length of VLL from Anchorage Connector to Rope Grab position on VLL multiplied by 10%                         |
| B  | 3 ft            | <b>Length of Shock Absorbing Lanyard</b><br>Original working length before a fall event occurs/before activation of energy absorber                            |
| C  | 4 ft            | <b>Elongation/Deceleration Distance</b><br>Maximum allowable amount of elongation that may payout from the energy absorber upon activation during a fall event |
| D  | 1 ft            | <b>Harness Stretch and dorsal D-ring Shift</b><br>Combined amount of harness webbing elongation and dorsal D-ring up-shift during entire fall event            |
| E  | 5 ft            | <b>Height of Dorsal D-ring</b><br>Average height of the dorsal D-Ring on a user's full body harness measured from the walking/working surface up               |
| F  | 1½ ft           | <b>Safety Factor</b><br>Added length to account for other factors such as an improperly adjusted harness, actual worker height or worker weight                |
| *G   | Add A through F | <b>Total Minimum Clear Fall Distance Required</b><br>*(must calculate for distance A)  |

1. Overhead Anchorage 2. Walking/Working Surface 3. Nearest Lower Level or Obstruction



DUCF4C.2

| <b>Fig. 5 - Distancia total de caídas</b><br>Requerimiento mínimo de claridad: Sistema de cuerda de salvamento vertical |                 |   |
|---|-----------------|---|
| *A  | Estiramiento    | <b>Estiramiento de la cuerda de salvamento vertical</b><br>Estiramiento = longitud de la VLL desde el conector de anclaje hasta la posición de agarre de la cuerda en VLL multiplicado por 10%        |
| B   | 3 pies (0,9 m)  | <b>Longitud de la cuerda con amortiguación</b><br>Longitud de trabajo original antes de ocurrir un evento de caída/antes de la activación del amortiguador de energía                                 |
| C   | 4 pies (1,2 m)  | <b>Distancia de elongación/desaceleración</b><br>Cantidad máxima permitida de elongación que se puede emplear del amortiguador de energía al activarse durante un evento de caída                     |
| D   | 1 pie (0,3 m)   | <b>Cambio del anillo en "D" dorsal y tramo del arnés</b><br>Cantidad combinada de la elongación de la red del arnés y el cambio del anillo en "D" dorsal durante un evento de caída completa          |
| E   | 5 pies (1,5 m)  | <b>Altura del anillo en "D" dorsal</b><br>Altura típica promedio del anillo en "D" dorsal en el arnés de cuerpo completo de un usuario, medida desde la superficie para caminar/trabajar hacia arriba |
| F   | 1½ pies (0,5 m) | <b>Factor de seguridad</b><br>Longitud agregada para contar otros factores tales como un ajuste inapropiado del arnés, la altura real del trabajador o el peso del trabajador                         |
| *G  | Sumar A hasta F | <b>Distancia mínima total de caída despejada requerida</b><br>*(debe calcular para la distancia A)  |

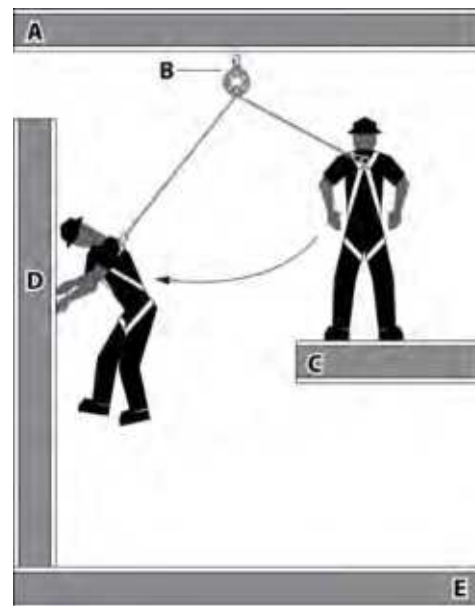
1. Anclaje superior 2. Superficie para caminar/trabajar 3. Nivel inferior más cercano u obstrucción

TUCF4C.1

| <b>Fig. 6 - Swing Fall Hazard</b> |                                    |
|-----------------------------------|------------------------------------|
| A                                 | Anchorage                          |
| B                                 | Self-Retracting Device (SRD)       |
| C                                 | Walking/Working Surface            |
| D                                 | Swing Fall Impact after fall event |
| E                                 | Next Lower Level or Obstruction    |

| <b>Fig. 6 - Peligro de caída con balanceo</b> |   |
|---|---|
| A   | Anclaje   |
| B   | Dispositivo autorretráctil (SRD)                          |
| C   | Superficie para caminar/trabajar                          |
| D   | Impacto de caída con balanceo después del evento de caída |
| E   | Siguiente nivel inferior u obstrucción                    |

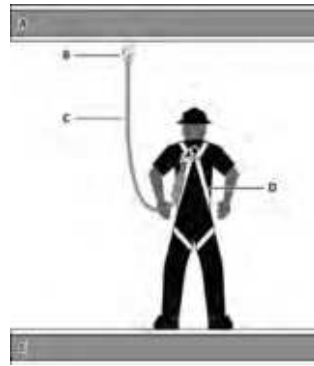
TUSF1.1



DUSF1.2

## Common Fall Protection Applications

| Fig. 7 - Fall Arrest (PFAS) |                               |
|-----------------------------|-------------------------------|
| A                           | Anchorage                     |
| B                           | Anchorage Connector           |
| C                           | Shock Absorbing Lanyard (SAL) |
| D                           | Full Body Harness (FBH)       |
| E                           | Walking/Working Surface       |

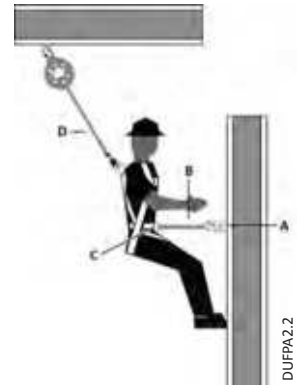


TUFFPA1.1

DUFFPA1.1

| Fig. 7 - Detención de caídas (PFAS) |  |
|-------------------------------------|--|
| A                                   | Anclaje                                      |
| B                                   | Conector de anclaje                          |
| C                                   | Cuerda de salvamento con amortiguación (SAL) |
| D                                   | Arnés de cuerpo completo (FHB)               |
| E                                   | Superficie para caminar/trabajar             |

| Fig. 8 - Work Positioning |   |
|---------------------------|---|
| A                         | Positioning Anchor                        |
| B                         | Positioning Lanyard                       |
| C                         | Full Body Harness (FBH) with Side D-Rings |
| D                         | Back-up Fall Arrest (PFAS)                |



TUFFPA2.1

DUFFPA2.2

| Fig. 8 - Posicionamiento del trabajo |   |
|--------------------------------------|---|
| A                                    | Anclaje de posicionamiento                                  |
| B                                    | Cordón de posicionamiento                                   |
| C                                    | Arnés de cuerpo completo (FBH) con anillos en "D" laterales |
| D                                    | Detención de caídas de respaldo (PFAS)                      |

| Fig. 9 - Restraint |                         |
|--------------------|-------------------------|
| A                  | Restraint Anchor        |
| B                  | Restraint Lanyard       |
| C                  | Full Body Harness (FBH) |
| D                  | Walking/Working Surface |
| E                  | Fall Hazard Area        |

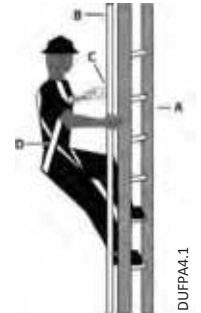


TUFFPA3.1

DUFFPA3.1

| Fig. 9 - Restricción |                                  |
|----------------------|----------------------------------|
| A                    | Anclaje de restricción           |
| B                    | Cordón de restricción            |
| C                    | Arnés de cuerpo completo (FHB)   |
| D                    | Superficie para caminar/trabajar |
| E                    | Área de peligro de caídas        |

| Fig. 10 - Climbing |   |
|--------------------|---|
| A                  | Fixed Ladder                              |
| B                  | Ladder Safety System                      |
| C                  | Safety Sleeve/Grab/Trolley                |
| D                  | Full Body Harness (FBH) with Front D-Ring |



DUFFPA4.1

| Fig. 10 - Escalar |  |
|-------------------|--|
| A                 | Escalera fija  |
| B                 | Sistema seguridad de escalera                              |
| C                 | Funda de seguridad/agarre/carrito                          |
| D                 | Arnés de cuerpo completo (FBH) con anillo en "D" delantero |

TUFFPA4.1

| Fig. 11 - Suspension/Personnel Riding |                             |
|---------------------------------------|-----------------------------|
| A                                     | Suspension Line             |
| B                                     | Suspension Yoke             |
| C                                     | Boatswain's Chair/Work Seat |
| D                                     | Full Body Harness (FBH)     |
| E                                     | Back-up Fall Arrest (PFAS)  |



DUFFPAS.1

| Fig. 11 - Montaje de personal/suspensión |  |
|--|--|
| A  | Línea de suspensión                                  |
| B  | Balancín de suspensión                               |
| C  | Asiento/silla de trabajo de especialista de maniobra |
| D  | Arnés de cuerpo completo (FHB)                       |
| E  | Detención de caídas de respaldo (PFAS)               |

TUFFPAS.1

| Fig. 12 - Rescue/Retrieval |                         |
|----------------------------|-------------------------|
| A                          | Retrieval Line          |
| B                          | Retrieval Yoke          |
| C                          | FBH Shoulder D-Rings    |
| D                          | Full Body Harness (FBH) |

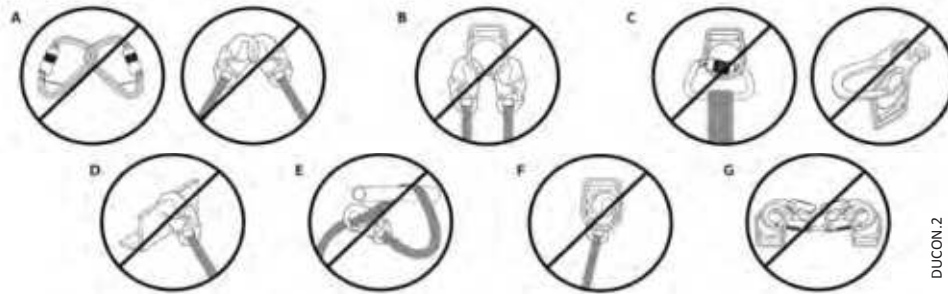


DUFFPA6.1

| Fig. 12 - Rescate/Retirada |   |
|----------------------------|---|
| A                          | Línea de retirada                       |
| B                          | Balancín de retirada                    |
| C                          | Anillos en "D" para los hombros del FBH |
| D                          | Arnés de cuerpo completo (FHB)          |

TUFFPA6.1

## Incorrect Connections / Acronyms for Fall Protection and Fall Arrest / Inspection Record



DUCON.2

| Fig. 13 - Incorrect Connections |  |
|---------------------------------|--|
| <b>A</b>                        | Never connect two active components (snap hooks or carabiners) to each other.  |
| <b>B</b>                        | Never connect two active components (snap hooks or carabiners) to a single D-ring at the same time.  |
| <b>C</b>                        | Never connect in a way that would produce a condition of loading on the gate.  |
| <b>D</b>                        | Never attach to a object in a manner whereby the gate (of the snap hook or carabiner) would be prevented from fully closing and locking. Always guard against false connections by visually inspecting for closure and lock.   |
| <b>E</b>                        | Never attach explicitly to a constituent subcomponent (webbing, cable or rope) unless specifically provided for by the manufacturer's instructions for both subcomponents (snap hook or carabiner and webbing, cable or rope). |
| <b>F</b>                        | Never attach in a manner where an element of the connector (gate or release lever) may become caught on the anchor thereby producing additional risk of false engagement.  |
| <b>G</b>                        | Never attach a spreader snap hook to two side/positioning D-rings in a manner whereby the D-rings will engage the gates; the gates on a spreader must always be facing away from the D-rings during work positioning.          |

| Fig. 13 - Conexiones incorrectas |   |
|----------------------------------|---|
| <b>A</b>                         | Nunca conecte dos componentes activos (ganchos de cierre instantáneo o mosquetones) entre sí.   |
| <b>B</b>                         | Nunca conecte dos componentes activos (ganchos de cierre instantáneo o mosquetones) a un solo anillo en "D" al mismo tiempo.  |
| <b>C</b>                         | Nunca se debe conectar de una manera que se produzca una condición de carga en la hebilla.  |
| <b>D</b>                         | Nunca conecte a un objeto de tal manera que la hebilla (del gancho de cierre instantáneo o del mosquetón) se vea impedida de cerrarse y bloquearse por completo. Siempre protéjase de falsas conexiones mediante la inspección visual del cierre y bloqueo.   |
| <b>E</b>                         | Nunca conecte explícitamente a un subcomponente constituyente (correa, cable o cuerda), a menos que se hayan proporcionado específicamente por las instrucciones del fabricante para los subcomponentes (gancho de cierre instantáneo o mosquetón y correa, cable o cuerda).  |
| <b>F</b>                         | Nunca conecte de modo que un elemento del conector (hebilla o palanca de liberación) pueda quedar atrapada en el anclaje y por lo tanto producir un riesgo adicional de conexión falsa.   |
| <b>G</b>                         | Nunca conecte un gancho de cierre instantáneo del esparcidor a dos anillos en "D" laterales/de posicionamiento en una forma que los anillos en "D" se acoplen a la hebillas; las hebillas en un esparcidor deben estar siempre orientadas hacia el lado opuesto de los anillos en "D" durante el posicionamiento del trabajo. |

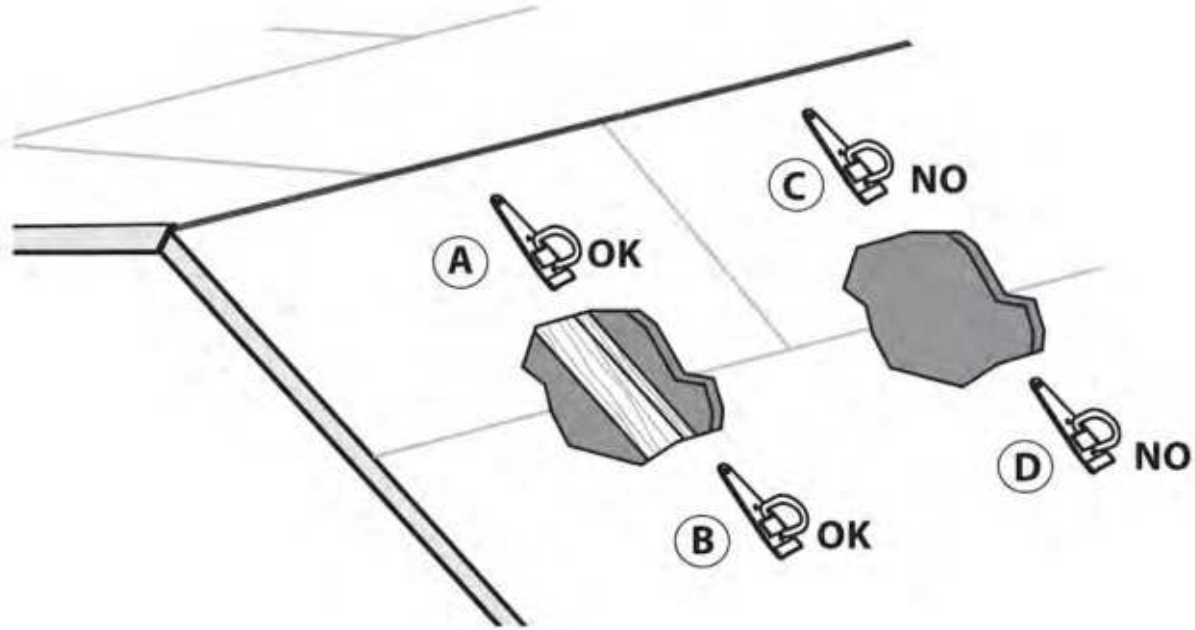
TUON.2

| Acronyms for Fall Protection and Fall Arrest; ANSI Z359.0-2012 |                                    |              |   |
|--|------------------------------------|--------------|---|
| <b>ACTD</b>  | Activation Distance                | <b>HLL</b>   | Horizontal Lifeline                           |
| <b>AD</b>  | Arrest Distance                    | <b>MAF</b>   | Maximum Arrest Force                          |
| <b>CSS</b>   | Connecting Subsystem               | <b>mm</b>    | Millimeter                                    |
| <b>DD</b>  | Deceleration Distance              | <b>PFAS</b>  | Personal Fall Arrest System                   |
| <b>DDV</b>   | Deceleration Device                | <b>PPE</b>   | Personal Protective Equipment                 |
| <b>FACSS</b>   | Fall Arrestor Connecting Subsystem | <b>SRD</b>   | Self-retracting Device                        |
| <b>FAS</b>   | Fall Arrest System                 | <b>TFD</b>   | Total Fall Distance                           |
| <b>FBH</b>   | Full Body Harness                  | <b>VLL</b>   | Vertical Lifeline                             |
| <b>FF</b>  | Free Fall                          | <b>VLLSS</b> | Vertical Lifeline Subsystem                   |
| <b>FFD</b>   | Free Fall Distance                 | <b>WPS</b>   | Work Positioning System                       |
| Other Acronyms for Fall Protection and Fall Arrest             |                                    |              |   |
| <b>RGLS</b>  | Rope Grab Lanyard Set              | <b>ANSI</b>  | American National Standards Institute         |
| <b>SAL</b>   | Shock Absorbing Lanyard            | <b>OSHA</b>  | Occupational Safety and Health Administration |
| <b>cm</b>  | Centimeters                        | <b>ASTM</b>  | American Society for Testing and Materials    |
| <b>kN</b>  | kilo-Newton                        | <b>lbs</b>   | pounds (weight)                               |
| <b>RPA</b>   | Rebar Positioning Assembly         | <b>TPA</b>   | Tower Positioning Assembly                    |

| Siglas para la protección y detención de caídas; ANSI Z359.0-2012 |   |              |  |
|---|---|--------------|--|
| <b>ACTD</b>   | Distancia de activación                       | <b>HLL</b>   | Cuerda de salvamento horizontal                    |
| <b>AD</b>   | Distancia de detención                        | <b>MAF</b>   | Fuerza de detención máxima                         |
| <b>CSS</b>  | Subsistema de conexión                        | <b>mm</b>    | Milímetro  |
| <b>DD</b>   | Distancia de desaceleración                   | <b>PFAS</b>  | Sistema personal de detención de caídas            |
| <b>DDV</b>  | Dispositivo de desaceleración                 | <b>PPE</b>   | Personal Protective Equipment                      |
| <b>FACSS</b>  | Subsistema de conexión de detenedor de caídas | <b>SRD</b>   | Self-retracting Device                             |
| <b>FAS</b>  | Sistema de detención de caídas                | <b>TFD</b>   | Total Fall Distance                                |
| <b>FBH</b>  | Arnés de cuerpo completo                      | <b>VLL</b>   | Vertical Lifeline                                  |
| <b>FF</b>   | Caída libre                                   | <b>VLLSS</b> | Vertical Lifeline Subsystem                        |
| <b>FFD</b>  | Distancia de caída libre                      | <b>WPS</b>   | Work Positioning System                            |
| Other Acronyms for Fall Protection and Fall Arrest                |   |              |  |
| <b>RGLS</b>   | Equipo de agarre de cordón/cuerda             | <b>ANSI</b>  | Instituto Nacional de Normas de los Estados Unidos |
| <b>SAL</b>  | Cuerda de salvamento con amortiguación        | <b>OSHA</b>  | Administración de Seguridad y Salud Ocupacional    |
| <b>cm</b>   | Centímetros                                   | <b>ASTM</b>  | Sociedad Americana de Pruebas y Materiales         |
| <b>kN</b>   | Kilo Newton                                   | <b>lbs</b>   | Libras (peso)                                      |
| <b>RPA</b>  | Ensamblaje de posicionamiento con refuerzo    | <b>TPA</b>   | Ensamblaje de posicionamiento con torre            |

TUON.2

| INSPECTION RECORD      PLANILLA de INSPECCIÓN       |                               |                                  |                                  |   |                                    |
|---|-------------------------------|----------------------------------|----------------------------------|---|------------------------------------|
| Model #    Modelo N° : _____                        |                               | Serial #    N° de serie : _____  |                                  |   |                                    |
| Date of Manufacture    Fecha de fabricación : _____ |                               |                                  |                                  |   |                                    |
| Inspection Date<br><i>Fecha de inspección</i>       | Inspector<br><i>Inspector</i> | Comments<br><i>Observaciones</i> | Pass/Fail<br><i>Pasó/No pasó</i> | Corrective Action Needed<br><i>Acción correctiva a realizar</i> | Approved By<br><i>Aprobado por</i> |
|   |                               |                                  |                                  |   |                                    |
|   |                               |                                  |                                  |   |                                    |
|   |                               |                                  |                                  |   |                                    |
|   |                               |                                  |                                  |   |                                    |
|   |                               |                                  |                                  |   |                                    |
|   |                               |                                  |                                  |   |                                    |
|   |                               |                                  |                                  |   |                                    |
|   |                               |                                  |                                  |   |                                    |
|   |                               |                                  |                                  |   |                                    |
|   |                               |                                  |                                  |   |                                    |



**Figure 6: Roof Anchor Installation Details**

|                                       |   |                              |    |                              |    |
|---------------------------------------|---|------------------------------|----|------------------------------|----|
| <b>7493B1</b><br>Ring Plate<br>Anchor | Install through<br>Sheathing into Truss | Roof Location A.<br>On Ridge | Ok | Roof Location B.<br>On Field | Ok |
|                                       | Install into<br>Sheathing Only          | Roof Location C.<br>On Ridge | No | Roof Location D.<br>On Field | No |

**Figura 6: Detalles de la instalación del anclaje para techo**

|  |  |  |    |  |    |
|--|--|--|----|--|----|
| <b>7493B1</b><br>Anclaje de<br>placa con<br>anillo | Instalación a través del<br>revestimiento en el puntal | Ubicación del techo<br>A.<br>En el caballete | Ok | Ubicación del techo<br>A.<br>En el campo | Ok |
|  | Instalar sólo en el<br>revestimiento                   | Ubicación del techo<br>C.<br>En el caballete | No | Ubicación del techo<br>D.<br>En el campo | No |

TSRAG.1



**FallTech**

**1306 South Alameda Street**

**Compton, CA 90221, USA**

**1-800-719-4619**

**1-323-752-0066**

**[www.FallTech.com](http://www.FallTech.com)**