



User Instruction Manual

Window/Door Jamb Anchor

This manual is intended to meet the Manufacturer's Instructions and should be used as part of an employee training program as required by OSHA. This manual assumes the user has been trained in the use of this equipment.

WARNING

This product is part of a personal fall arrest, restraint, work positioning, suspension, or rescue system. A Personal Fall Arrest System (PFAS) is typically composed of an anchorage and a Full Body Harness (FBH), with a connecting device, i.e., a Shock Absorbing Lanyard (SAL), or a Self-Retracting Device (SRD), attached to the dorsal D-ring of the FBH.

These instructions must be provided to the user of this equipment. The user must read and understand the manufacturer's instructions for each component or part of the complete system.

Manufacturer's instructions must be followed for proper use, care, and maintenance of this product. These instructions must be retained and be kept available for the user's reference at all times. Alterations or misuse of this product, or failure to follow instructions, may result in serious injury or death.

A Fall Protection Plan must be on file and available for review by all users. It is the responsibility of the user and the purchaser of this equipment to assure that users of this equipment are properly trained in its use, maintenance, and storage.

Training must be repeated at regular intervals. Training must not subject the trainee to fall hazards. When this equipment is in use the employer must have a rescue plan and the means at hand to implement it and communicate that plan to users, authorized persons, and rescuers.

Consult a doctor if there is reason to doubt your fitness to safely absorb the shock of a fall event. Age and fitness seriously affect a worker's ability to withstand falls. Pregnant women or minors must not use this equipment.

FallTech®

1306 South Alameda Street

Compton, CA 90221, USA

1-800-719-4619

1-323-752-0066

www.falltech.com

©2014

TABLE OF CONTENTS

| | |
|---------------------------------|--|
| 1. DESCRIPTION | 4. INSTALLATION AND OPERATION |
| 2. APPLICATION | 4.1 Anchorage Location |
| 2.1 Purpose | 4.1.1 Fall Arrest |
| 2.1.1 Personal Fall Arrest | 4.1.2 Restraint |
| 2.1.2 Restraint | 4.2 Fall Clearance Distance |
| 2.1.3 Rescue | 4.3 Swing Fall |
| 2.2 Application Limits | 4.4 Installation |
| 3. SYSTEM REQUIREMENTS | 5. SPECIFICATIONS |
| 3.1 Capacity | 6. MAINTENANCE AND STORAGE |
| 3.2 Compatibility of Connectors | 7. INSPECTION |
| 3.3 Compatibility of Components | 8. LABELS |
| 3.4 Making Connections | Appendix A - Table 1, Figures 1 – 6 |
| 3.5 Personal Fall Arrest System | Appendix B |
| 3.5.1 PFAS Anchorage Strength | |
| 3.6 Definitions | |

1. DESCRIPTION

The FallTech® Window/Door Jamb Anchor is an easily mounted anchor for persons working at height and subject to fall hazards. The Window/Door Jamb Anchor is built of gusseted welded aluminum square tube, with a stainless steel threaded adjusting clamp, a forged plated steel attachment D-ring, and rubber protective pads. Spaced holes in the main body, secured with a pin, provide preliminary size adjustment. The hand-operated threaded adjustment clamp is used for final fitment and to secure the Window/Door Jamb Anchor in place within the window or door frame.

See Figure 1 and Table 1 in Appendix A.

This manual contains two appendices, Appendix A and Appendix B. Appendix A contains figures and tables specific to the equipment discussed in this manual. Appendix B contains figures and tables applicable to fall protection equipment in general. All figures in Appendix B may not apply to this manual. For purposes of this manual, the Window/Door Jamb Anchor may be referred to as the anchor, the anchorage connector, the equipment, the product, or the unit.

2. APPLICATION

2.1 Purpose: The anchor discussed in this manual is designed as a PFAS anchorage connector for fall arrest, or restraint, to be temporarily installed in a window or door frame. See Figure 2 in Appendix A.

2.1.1 Personal Fall Arrest: The anchor is used as a component of a PFAS to arrest the user in the event of a fall. A PFAS typically consists of an anchorage, a Full Body Harness (FBH), and a deceleration device such as a Shock Absorbing Lanyard (SAL), a Self-Retracting Device (SRD), or a Fall Arrestor Connecting Subsystem (FACSS). Maximum permissible free fall is six feet.

2.1.2 Restraint: The Window/Door Jamb Anchor may be used as a component of a restraint system to prevent the user from reaching a fall hazard area. Restraint systems typically include a positioning belt or an FBH, and a lanyard or restraint line. No vertical free fall is permitted.

2.1.3 Rescue: The responsible party must have a rescue plan in place, and the means and tools to carry it out. Rescue practices and procedures are beyond the scope of this manual.

WARNING

Take caution when using the equipment discussed in this manual. Check the labels on the unit to ensure the equipment is being used for the proper application. Use of this equipment for an application that does not meet the anchorage strength requirements of OSHA 1926.502 may result in serious injury or death.

Do not alter or intentionally misuse this equipment. Consult FallTech when using this equipment in combination with components or subsystems other than those described in this manual. Some subsystem and component combinations may interfere with the operation of this equipment.

2.2 Application Limits: Take action to avoid sharp edges, abrasive surfaces, and thermal, electrical, and chemical hazards. The anchor is not designed for nor is it suitable for work positioning, personnel riding, or suspension.

DO NOT use the anchor connector to lift tools or materials.

3. SYSTEM REQUIREMENTS

3.1 Capacity: The anchor will support a static load of 3,600 lbs, and has a rated capacity of 425 lbs. (193 kg). No more than one PFAS may be connected to one anchorage at one time. To maintain an ANSI compliant PFAS, limit user weight to 310lbs, including clothing, tools, and equipment.

3.2 Compatibility of Connectors: Connectors are considered to be compatible with connecting elements when they have been designed to work together in such a way that their sizes and shapes do not cause their gate mechanisms to inadvertently open regardless of how they become oriented. Contact FallTech if you have any questions about compatibility. Connectors must be compatible with the anchorage or other system components. Do not use equipment that is not compatible. Non-compatible connectors may unintentionally disengage. Connectors must be compatible in size, shape, and strength. Self-closing, self-locking snap hooks and carabiners are required by ANSI and OSHA.

3.3 Compatibility of Components: Equipment is designed for use with approved components and subsystems only. Substitutions or replacements made with non-approved components or subsystems may jeopardize compatibility of equipment and may affect the safety and reliability of the complete system.

3.4 Making Connections: Only use self-locking snap hooks and carabiners with this equipment. Only use connectors that are suitable to each application. Ensure all connections are compatible in size, shape, and strength. Do not use equipment that is not compatible. Visually ensure all connectors are fully closed and locked. Connectors (snap hooks and carabiners) are designed to be used only as specified in each product's user's instructions. See Figure 13 in Appendix B.

3.5 Personal Fall Arrest System: PFAS used with this equipment must meet ANSI Z359 requirements and applicable OSHA regulations. A full body harness must be worn when this equipment is used as a component of a PFAS. As required by OSHA, the personal fall arrest system must be able to arrest the user's fall with a maximum arresting force of 1,800 lbs., and limit the free fall to 6 feet or less. If the maximum free fall distance must be exceeded, the employer must document, based on test data, that the maximum arresting force will not be exceeded, and the personal fall arrest system will function properly.

3.5.1 PFAS Anchorage Strength: An anchorage selected for PFAS must have a strength able to sustain a static load applied in the direction permitted by the PFAS of at least:

- Two times the maximum arrest force permitted when certification exists, or

b) 5,000 lbs. (22.2 kN) in the absence of certification.

3.5.2 Restraint Anchorage Strength: An anchorage selected for restraint applications must have a strength able to sustain a static load applied in the direction permitted by the PFAS of at least:

- a) Two times the maximum arrest force permitted when certification exists, or
- b) 1,000 lbs. (4.4 kN) in the absence of certification.

3.6 Definitions: The following are definitions of terms.

Authorized Person: A person assigned by the employer to perform duties at a location where the person will be exposed to a fall hazard (otherwise referred to as “user” for the purpose of these instructions).

Certified Anchorage: An anchorage for fall arrest, positioning, restraint, or rescue systems that a qualified person certifies to be capable of supporting the potential fall forces that could be encountered during a fall or that meet the criteria for a certified anchorage prescribed in this standard.

Competent Person: One who is capable of identifying existing and predictable hazards in the surroundings or working conditions which are unsanitary, hazardous, or dangerous to employees, and who has authorization to take prompt corrective measures to eliminate them.

Qualified Person: A person with a recognized degree or professional certificate and with extensive knowledge, training, and experience in the fall protection and rescue field who is capable of designing, analyzing, evaluating and specifying fall protection and rescue systems to the extent required by this standard.

Rescuer: Person or persons other than the rescue subject acting to perform an assisted rescue by operation of a rescue system.

4. INSTALLATION AND OPERATION

Plan the installation of the anchor considering all facets of fall protection, anchorage location, fall clearance requirements, swing fall, and work zone.

Installation of anchorages must be under the supervision of a competent person trained in their design and use.

NOTE: Approved fall protection may be required during installation of all anchorage units discussed in this manual.

DO NOT use any anchorage discussed in this manual until the system has been completely installed, inspected, and approved for use by a competent person.

4.1 Anchorage Location: Select a suitable anchorage point that will support the strength requirement and minimize free fall and eliminate swing hazards. The anchor is designed for use in window and door frames 21 inches to 51 inches wide.

4.1.1 Fall Arrest: For fall arrest applications, select an anchorage location that will facilitate maximum safety, minimize risk and be of sufficient strength to meet requirements. See Section 3. Installation of the anchor must be under the supervision of a competent person. Do not work above the anchorage location in any fall arrest application.

4.1.2 Restraint: For restraint applications, exercise caution in selecting an anchorage location. Ensure the anchorage meets strength requirements. See Section 3. Under certain circumstances, it may be necessary to work above the anchorage (a foot-level tie-off) in a restraint application. Be aware of work zone hazards and use caution under these circumstances. A fall with a foot-level tie-off may result in serious injury or death.

4.2 Fall Clearance Distance: When working at heights and using a PFAS, it is important to consider the distance between the walking/working surface and the next lower level to ensure there is sufficient room for the PFAS to arrest a fall. Fall Clearance Distance is the distance that is required to safely arrest the fall of a user. The Distance may be calculated by adding together the Length of the Lanyard or the SRD, plus the Deceleration Distance, the Height of the Worker, plus a Safety Factor of 1-1/2 feet. See Figures 1, 2, 3, 4 and 5 in Appendix B.

4.3 Swing Fall: Swing falls occur when the anchorage point is not directly above the point where a fall occurs. Swing falls are more prevalent when using an SRD and a FACSS. In a swing fall, the total vertical fall distance will be greater than if the user had fallen directly below the anchorage point, thus increasing the total free fall distance and the area required to safely arrest the user. Such swing fall injuries may be much more severe. Minimize swing falls by working as directly below the anchorage point as possible. Move the anchorage as required. Never permit a swing fall if injury could occur. If a swing fall situation exists in your application consult a competent person before proceeding. A minimum of six feet from the working level to the lower level or nearest obstruction is recommended.

See Figure 3 in Appendix A.

DO NOT use the anchor for fall protection applications if the anchor will be installed below the level of the user’s FBH D-ring during normal work activities.

4.4 Anchorage Installation: Follow these steps;

1. Inspect the anchor before each use in accordance with the procedures listed in Section 7. Ensure the anchor is in good working order. If inspection reveals damage of any kind or excessive wear, remove the unit from service immediately.
2. Determine a suitable location to install the anchor that will maintain a proper work zone. A proper work zone is limited to a 30 degree angle from the D-ring centerline, and up to 90 degrees below the D-ring. See Figure 4 in Appendix A.
3. Loosen the final adjustment hand clamp as far as it goes. Remove the locking pin and slide the adjustment leg toward the fixed leg enough to fit in the opening.
4. Place the anchor horizontally at the bottom of the opening. Place the fixed leg against one side of the opening. The adjustable leg may be on the left or right. Ensure the anchor rests on the door or window sill. Ensure the D-ring is facing the fall hazard as shown in Figure 5 in Appendix A
5. Slide the adjustable clamping leg as close as possible to the door or window jamb.
6. Insert the locking pin into the holes that provide the best preliminary fit. Secure the locking pin with the hair spring pin. See Figures 6A and 6B in Appendix A.
7. Tighten the final adjustment clamp hand tight against the door or window jamb.
 - Ensure the horizontal body is butted securely against the frame of the opening.
 - Ensure the fixed leg and the adjustable leg are butted securely against the frame of the opening.

WARNING

Ensure the anchor is as low as possible in the opening. Failure to comply with this instruction could lead to an unintentional disengagement if a fall occurs, resulting in injury or death.

8. Attach the PFAS to the anchorage D-ring. Consult the PFAS manufacturer's user instructions for complete details. Make only compatible connections.

NOTE: Do not go back through the opening the anchor is installed in to perform work. A fall event in this area this will cause a reverse load and may unintentionally dislodge the anchor.

DO NOT place the anchor vertically in the opening.

DO NOT over tighten the hand clamp.

DO NOT drop the anchor from roof-tops to the ground.

DO NOT subject the anchor to non-design loads or forces.

DO NOT exceed the proper load direction.

If the anchor has been subjected to fall arrest forces, remove it from service immediately.

IN THE EVENT OF A FALL: The responsible party must have a rescue plan and the ability to implement a rescue. Tolerable suspension time in a full body harness is limited, so a prompt rescue is critical.

5. SPECIFICATIONS

See Table 1 in Appendix A.

6. MAINTENANCE AND STORAGE

Clean the anchor with a mild detergent solution. Store indoors. Avoid chemical vapors, moisture, and physical damage. Apply a light coat of silicone spray lubricant to the hand-clamp threads.

7. INSPECTION PROCEDURE

Prior to each use, the user must inspect the system for any physical damage, wear, corrosion, or missing parts. The Window/Door Jamb Anchor must be formally inspected by a competent person other than the user at least annually.

If the anchor has been subjected to a fall arrest load, remove it from service.

Inspect for:

1. Ensure the unit is straight and that the sliding leg does not bind on the main body.
2. Cracks
3. Fractures
4. Bent or broken plate or d-ring
5. Corrosion
6. Inspect the hand clamp for deformities, dirt, grease, paint or other debris.

Record inspection results on the Inspection Record found in Appendix B or on another suitable record.

8. LABELS

The following labels must be present and legible.

LABEL 1

FALTECH

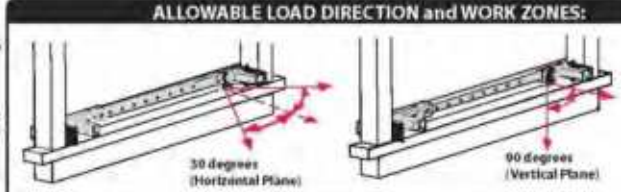
Window and Door Jamb Anchor
 800.719.4619 www.falltech.com
 Model#: 7465A
 Materials: Aluminum and steel
 Min Break Strength: 3600 lbs.
 Max Capacity: 425 lbs. including clothing, tools, etc.
 OSHA 1926.502

Date of Mfg:
 Serial #:

WARNING

WARNING: USER MUST READ AND FOLLOW INSTRUCTIONS SUPPLIED WITH THIS PRODUCT AT TIME OF SHIPMENT. FAILURE TO DO SO MAY RESULT IN SERIOUS INJURY OR DEATH. AVOID CONTACT WITH SHARP EDGES AND ABRASIVE SURFACES. MAKE ONLY COMPATIBLE CONNECTIONS. SEE INSTRUCTIONS FOR RESTRICTIONS ON USE WITH COMPONENTS, SUBSYSTEMS, OR SYSTEMS WITH WHICH THIS PRODUCT IS DESIGNED TO BE USED. SEE INSTRUCTIONS FOR INSPECTION PROCEDURES. TAKE ACTION TO AVOID THERMAL, ELECTRICAL, AND CHEMICAL HAZARDS.

ALLOWABLE LOAD DIRECTION and WORK ZONES:



DO NOT REMOVE LABEL

LABEL 2

FALTECH

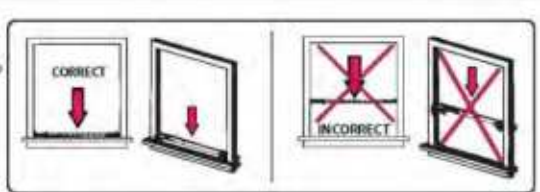
INSPECTION GRID

PRINT OR MAKE COPY
 BY MONTH SERVICE DATE BY DATE OF FINISHED INSPECTION
 IF UNIT FAILS INSPECTION REMOVE IT FROM SERVICE

| | J | F | M | A | M | J | J | A | S | O | N | D |
|------|---|---|---|---|---|---|---|---|---|---|---|---|
| 2014 | | | | | | | | | | | | |
| 2015 | | | | | | | | | | | | |
| 2016 | | | | | | | | | | | | |
| 2017 | | | | | | | | | | | | |

Inspection:
 Inspect before each use. Check for cracks and corrosion. Do not use if inspection reveals unsafe or defective condition. This product is not user-repairable. Refer to instructions for complete inspection procedures.

Install and Use: Install the anchor at the bottom of the door or window, in contact with the threshold or sill. Support structures must be able to support the loads the clamp will be subjected to in normal use. See the user instruction manual for complete installation requirements. Use the anchor per instructions in the user instruction manual.



DO NOT REMOVE LABEL



Manual de instrucciones para el usuario

Anclaje para puntales de puertas y ventanas

Este manual está destinado a cumplir con las instrucciones del fabricante, y debe utilizarse como parte de un programa de capacitación para empleados según se requiere por la OSHA. Este manual asume que el usuario ha sido capacitado en el uso de este equipo.

ADVERTENCIA

Este producto es parte de un sistema personal de detención de caídas, de restricción, posicionamiento del trabajo, suspensión o de rescate. Un Sistema personal de detención de caídas (PFAS, por sus siglas en inglés) por lo general está compuesto de un anclaje y un Arnés de cuerpo completo (FBH, por sus siglas en inglés), con un dispositivo de conexión, es decir, una línea de vida con amortiguación de impactos (SAL, por sus siglas en inglés), o un Dispositivo autorretráctil (SRD, por sus siglas en inglés), conectado al anillo en "D" dorsal del FBH.

Estas instrucciones se deben proporcionar al usuario de este equipo. El usuario debe leer y comprender las instrucciones del fabricante para cada componente o parte del sistema completo.

Las instrucciones del fabricante deben seguirse para el uso, cuidado y mantenimiento correctos de este producto. Estas instrucciones deben conservarse y mantenerse disponibles para consulta del usuario en todo momento. Las alteraciones o el uso indebido de este producto o no seguir las instrucciones pueden causar lesiones graves o la muerte.

Un Plan de protección contra caídas debe estar archivado y disponible para su revisión por parte de todos los usuarios. El usuario y el comprador de este equipo tienen la responsabilidad de asegurarse de que los usuarios de este equipo están debidamente capacitados sobre su uso, mantenimiento y almacenamiento.

La capacitación se debe repetir a intervalos regulares. La capacitación no debe someter a los usuarios a peligros de caídas. Cuando este equipo está en uso, el empleador debe tener un plan de rescate y los medios a la mano para implementarlo, y debe comunicar el plan a los usuarios, las personas autorizadas y al personal de rescate.

Consulte a un médico si hay razones para dudar de su aptitud para absorber con seguridad el impacto de un evento de caída. La edad y el estado físico afectan gravemente a la capacidad de los trabajadores para soportar caídas. Las mujeres embarazadas y los menores de edad no deben utilizar este equipo.

FallTech®

1306 South Alameda Street

Compton, CA 90221, USA

1-800-719-4619

1-323-752-0066

www.falltech.com

©2014

ÍNDICE

1. DESCRIPCIÓN

2. APLICACIÓN

2.1 Objetivo

2.1.1 Detención de caídas personal

2.1.2 Restricción

2.1.3 Rescate

2.2 Límites de la aplicación

3. REQUISITOS DEL SISTEMA

3.1 Capacidad

3.2 Compatibilidad de conectores

3.3 Compatibilidad de componentes

3.4 Realizar las conexiones

3.5 Sistema personal de detención de caídas

3.5.1 Resistencia del anclaje del PFAS

3.6 Definiciones

4. INSTALACIÓN Y OPERACIÓN

4.1 Ubicación del anclaje

4.1.1 Detención de caídas

4.1.2 Restricción

4.2 Requerimiento de claridad para la caída

4.3 Caída con balanceo

4.4 Instalación

5. ESPECIFICACIONES

6. MANTENIMIENTO Y ALMACENAMIENTO

7. INSPECCIÓN

8. ETIQUETAS

Apéndice A - Tabla 1, Figuras 1 – 6

Apéndice B

1. DESCRIPCIÓN

El Anclaje para puntales de puertas y ventanas de FallTech® es un anclaje de fácil montaje para personas que trabajan en alturas y están sujetas a peligros de caídas. El Anclaje para puntales de puertas y ventanas está fabricado con un tubo cuadrado de aluminio soldado reforzado, con una abrazadera de ajuste roscada en acero inoxidable, un anillo en "D" de conexión en acero chapado, y almohadillas de protección de goma. Los agujeros separados en el cuerpo principal, fijados con una clavija, proporcionan ajuste preliminar en cuanto al tamaño. La abrazadera de ajuste roscada, operada manualmente, se utiliza para el montaje final y para fijar el Anclaje para puntales de puertas y ventanas dentro del marco de la ventana o la puerta.

Consulte la Figura 1 y la Tabla 1 en el Apéndice A.

Este manual contiene dos apéndices, el Apéndice A y el Apéndice B. El Apéndice A contiene las figuras y las tablas específicas para los equipos descritos en este manual. El Apéndice B contiene las figuras y las tablas aplicables a los equipos de protección contra caídas en general. Todas las figuras en el Apéndice B pueden no aplicarse a este manual.

Para los efectos de este manual, el Anclaje para puntales de puertas y ventanas se puede denominar como anclaje, el conector de anclaje, el equipo, el producto o la unidad.

2. APLICACIÓN

2.1 Objetivo: El anclaje detallado en este manual está diseñado como un conector de anclaje de PFAS para detención de caídas, o restricción, que se debe instalar temporalmente en el marco de una ventana o puerta. Consulte la Figura 2 en el Apéndice A.

2.1.1 Detención de caídas personal: El anclaje se utiliza como un componente de un PFAS para detener al usuario en caso de una caída. El PFAS por lo general está compuesto por un anclaje, un Arnés de cuerpo completo (FBH, por sus siglas en inglés) y un dispositivo de desaceleración, tales como una línea de vida con amortiguación de impactos (SAL), un Dispositivo autorretráctil (SRD, por sus siglas en inglés) o un Subsistema de conexión de detenedor de caídas (FACSS, por sus siglas en inglés). La caída libre máxima permitida es de seis pies (1,8 m).

2.1.2 Restricción: El Anclaje para puntales de puertas y ventanas se puede utilizar como un componente de un sistema de restricción para evitar que el usuario llegue a un área de peligro de caída. Los sistemas de restricción incluyen, por lo general, una correa de posicionamiento o un FBH, y un cordón o línea de restricción. No se permite la caída libre vertical.

2.1.3 Rescate: La parte responsable debe tener un plan de rescate en el lugar y los medios y las herramientas para llevarlo a cabo. Las prácticas y procedimientos de rescate están más allá del alcance de este manual.

ADVERTENCIA

Tenga cuidado al utilizar el equipo descrito en este manual. Verifique las etiquetas de la unidad para asegurarse de que el equipo está siendo utilizado para la aplicación correcta. El uso de este equipo para una aplicación que no cumpla con los requisitos de resistencia del anclaje de OSHA 1926.502 puede resultar en lesiones graves o la muerte.

No altere ni utilice este equipo de manera indebida e intencional. Consulte a FallTech cuando utiliza este equipo en combinación con componentes o subsistemas distintos a los descritos en este manual. Algunas combinaciones de componentes y subsistemas pueden interferir con la operación de este equipo.

2.2 Límites de la aplicación: Tome medidas para evitar los bordes afilados, superficies abrasivas y peligros térmicos, eléctricos y químicos. El anclaje no está diseñado ni es adecuado para el posicionamiento del trabajo, para montar al personal o para suspensión.

NO utilice el conector del anclaje para levantar herramientas o materiales.

3. REQUISITOS DEL SISTEMA

3.1 Capacidad: El anclaje soportará una carga estática de 3.600 libras (1.633 kg), y tiene una capacidad nominal de 425 libras (193 kg). No puede estar conectado más de un PFAS a un anclaje a la vez. Para mantener un PFAS en cumplimiento con ANSI, limite el peso del usuario a 310 libras (140,6 kg), incluyendo ropa, herramientas y equipos.

3.2 Compatibilidad de conectores: Los conectores son considerados compatibles con elementos de conexión cuando se han diseñado para funcionar en conjunto, de manera que sus formas y tamaños no causen que sus mecanismos de compuerta se abran inadvertidamente, de manera independiente a la forma en que queden orientados. Comuníquese con FallTech si tiene alguna pregunta acerca de la compatibilidad. Los conectores deben ser compatibles con el anclaje u otros componentes del sistema. No utilice el equipo que no sea compatible. Los conectores no compatibles pueden soltarse accidentalmente. Los conectores deben ser compatibles en tamaño, forma y resistencia. Los mosquetones y ganchos de cierre automático son requeridos por ANSI y la OSHA.

3.3 Compatibilidad de componentes: El equipo está diseñado para su uso sólo con componentes y subsistemas aprobados. Las sustituciones o reemplazos realizados con componentes o subsistemas no aprobados pueden poner en peligro la compatibilidad de los equipos y pueden afectar a la seguridad y la fiabilidad del sistema completo.

3.4 Realizar las conexiones: Utilice sólo mosquetones y ganchos de cierre automático con este equipo. Utilice sólo los conectores que son adecuados para cada aplicación. Asegúrese de que todas las conexiones son compatibles en tamaño, forma y resistencia. No utilice el equipo que no sea compatible.

Asegúrese visualmente de que todos los conectores están completamente cerrados y bloqueados. Los conectores (mosquetones y ganchos de cierre automático) están diseñados para ser usados sólo como se indica en las instrucciones del usuario de cada producto. Consulte la Figura 13 en el Apéndice B.

3.5 Sistema personal de detención de caídas: El Sistema personal de detención de caídas (PFAS, por sus siglas en inglés) utilizado con este equipo debe cumplir con los requisitos de ANSI Z359 y los reglamentos aplicables de la OSHA. Se debe utilizar un Arnés de cuerpo completo (FBH, por sus siglas en inglés) cuando se utiliza este equipo como un componente de un PFAS. La OSHA exige el uso del sistema personal de detención de caídas para detener la caída del usuario con una fuerza máxima de detención de 1.800 libras (816,5 kg), y para limitar la caída libre a 6 pies (1,8 m) o menos. Si se debe exceder la distancia máxima de caída libre, el empleador debe documentar, con base en los datos de prueba, que no se excederá de la fuerza máxima de detención, y que el sistema personal de detención de caídas funcionará correctamente.

3.5.1 Resistencia del anclaje del PFAS: El anclaje seleccionado para el PFAS debe tener una resistencia capaz de sostener una carga estática aplicada en la dirección permitida por el PFAS de al menos:

- a) dos veces el máximo de fuerza de detención permitida cuando exista la certificación, o
- b) 5.000 libras (2.268 kg) (22.2 kN) en ausencia de la certificación.

3.5.2 Resistencia del anclaje de restricción: El anclaje seleccionado para las aplicaciones de restricción debe tener una resistencia capaz de sostener una carga estática aplicada en la dirección permitida por el PFAS de al menos:

- a) dos veces el máximo de fuerza de detención permitida cuando exista la certificación, o
- b) 1.000 libras (453,6 kg) (4.4 kN) en ausencia de la certificación.

3.6 Definiciones: Las siguientes son las definiciones de los términos.

Persona autorizada: Una persona asignada por el empleador para realizar sus obligaciones en un lugar donde la persona estará expuesta a un peligro de caída (de lo contrario, se denomina como "usuario" a los efectos de estas instrucciones).

Anclaje certificado: Un anclaje para detención de caídas, posicionamiento, restricción, o sistemas de rescate que una persona calificada certifica de que puede soportar las posibles fuerzas de caída, las cuales podrían presentarse durante una caída o que cumple con los criterios para un anclaje certificado previsto en la norma.

Persona competente: Una persona que es capaz de identificar los peligros existentes y predecibles en los alrededores o condiciones de trabajo que son insalubres o peligrosas para los empleados, y quien tiene la autorización para tomar con prontitud medidas correctivas para eliminarlos.

Persona calificada: Una persona con un título o certificado profesional reconocido y con amplios conocimientos, capacitación y experiencia en la protección contra caídas y el campo de rescate, quien es capaz de diseñar, analizar, evaluar y especificar los sistemas de protección contra caídas y sistemas de rescate en la medida exigida por la norma.

Socorrista: Persona o personas distintas al sujeto que actúa en la realización de un rescate asistido por la operación de un sistema de rescate.

4. INSTALACIÓN Y OPERACIÓN

Planifique la instalación del anclaje al considerar todos los aspectos de la protección contra caídas, ubicación del anclaje, requisitos de caída despejada, caída con balanceo, y zona de trabajo. La instalación de los anclajes debe estar bajo la supervisión de una Persona competente, capacitada en su diseño y uso.

NOTA: La protección contra caídas aprobada puede ser necesaria durante la instalación de todas las unidades de anclajes descritas en este manual.

NO utilice cualquier anclaje descrito en este manual hasta que el sistema se haya instalado, inspeccionado, y aprobado por completo para su uso por parte de una Persona competente.

4.1 Ubicación del anclaje: Seleccione un punto de anclaje adecuado para apoyar el requisito de resistencia y minimizar los peligros de caída libre y con balanceo. El anclaje está diseñado para su uso en marcos de puertas y ventanas de 21 pulgadas (53,3 cm) a 51 pulgadas (129,5 cm) de ancho.

4.1.1 Detención de caídas: Para las aplicaciones de detención de caída, seleccione la ubicación del anclaje que facilite un máximo de seguridad, minimice el riesgo y tenga la resistencia suficiente para cumplir con los requisitos. Consultar la Sección 3. La instalación del anclaje debe estar bajo la supervisión de una Persona competente. No trabaje por encima de la ubicación del anclaje en cualquier aplicación de detención de caídas.

4.1.2 Restricción: Para las aplicaciones de restricción, se debe tener precaución al seleccionar la ubicación del anclaje. Asegúrese de que el anclaje cumple con los requisitos de resistencia. Consultar la Sección 3. En determinadas circunstancias, puede ser necesario trabajar por encima del anclaje (sujeción al nivel de los pies) en una aplicación de restricción. Esté atento a los peligros de la zona de trabajo y tenga cuidado en estas circunstancias. Una caída con una sujeción al nivel de los pies puede ocasionar lesiones graves o la muerte.

4.2 Requerimiento de claridad para la caída: Cuando se trabaja en alturas y utilizando un PFAS, es importante considerar la distancia entre la superficie para caminar/de trabajo y el siguiente nivel inferior para asegurar que hay suficiente espacio para que el PFAS detenga la caída. La distancia de caída despejada es la distancia necesaria para detener con seguridad la caída de un usuario. La distancia se puede calcular al sumar la longitud de la línea o el SRD, la distancia de desaceleración, la altura del trabajador más un factor de seguridad de 1 -1/2 pies (0,5 m). Consulte las Figuras 1, 2, 3, 4 y 5 en el Apéndice B.

4.3 Caída con balanceo: La caída con balanceo se produce cuando el punto de anclaje no está directamente por encima del punto donde ocurre la caída. Las caídas con balanceo son más frecuentes cuando se utiliza un SRD y un FACSS. En una caída con balanceo, la distancia total de caída vertical será mayor a cuando el usuario ha caído directamente por debajo del punto de anclaje, lo cual aumenta la distancia total de caída libre y el área necesaria para detener al usuario con seguridad. Dichas lesiones por caídas con balanceo pueden ser mucho más graves. Minimice las caídas con balanceo al trabajar lo más directamente posible por debajo del punto de anclaje. Mueva el anclaje según sea necesario. Nunca permita una caída con balanceo si puede ocurrir una lesión. Si hay una situación de caída con balanceo en su aplicación consulte a una persona competente antes de continuar. Se recomienda un mínimo de seis pies (1,8 m) desde el nivel del trabajo hasta el nivel inferior o la obstrucción más cercana.

Consulte la Figura 3 en el Apéndice A.

NO utilice el anclaje para aplicaciones de protección contra caídas si el anclaje se va a instalar por debajo del nivel del anillo en "D" del FBH del usuario durante las actividades normales de trabajo.

4.4 Instalación del anclaje: Siga estos pasos;

1. Inspeccione el anclaje antes de cada uso de conformidad con los procedimientos descritos en la Sección 7. Asegúrese de que el anclaje se encuentra en buen estado de funcionamiento. Si la inspección revela cualquier tipo de daños o desgaste excesivo, retire la unidad de servicio de manera inmediata.
2. Determine una ubicación adecuada para instalar el anclaje la cual va a mantener una buena zona de trabajo. Una buena zona de trabajo está limitada a un ángulo de 30 grados desde la línea central del anillo en "D", y hasta 90 grados por debajo del anillo en "D". Consulte la Figura 4 en el Apéndice A.
3. Afloje la abrazadera de ajuste final hasta lo máximo que pueda hacerlo. Retire el pasador de bloqueo y deslice la pierna de ajuste hacia la pierna fija lo suficiente para que entre en la abertura.

4. Coloque el anclaje horizontalmente en la parte inferior de la abertura. Coloque la pierna fija contra uno de los lados de la abertura. La pierna ajustable puede estar en la izquierda o la derecha. Asegúrese de que el anclaje quede sobre el alféizar de la ventana o puerta. Asegúrese de que el anillo en "D" quede frente al peligro de caída como se muestra en la Figura 5 en el Apéndice A.
5. Deslice la pierna de sujeción ajustable lo más cerca posible de la jamba de la puerta o ventana.
6. Inserte el pasador de bloqueo en los agujeros que proporcionan el mejor ajuste preliminar. Fije el pasador de bloqueo con el pasador de resorte. Consulte la Figura 6A y la Figura 6B en el Apéndice A.
7. Apriete la abrazadera de ajuste final con la mano de manera ajustada contra la jamba de la puerta o ventana.
 - Asegúrese de que el cuerpo horizontal se encuentra metido firmemente contra el marco de la abertura.
 - Asegúrese de que la pierna fija y la pierna ajustable estén colocadas con firmeza contra el marco de la apertura.

ADVERTENCIA

Asegúrese de que el anclaje esté tan bajo como sea posible en la apertura. El incumplimiento de estas instrucciones podría conducir a una separación involuntaria si se produce una caída, lo cual puede resultar en lesiones o la muerte.

8. Conecte el PFAS al anillo en "D" del anclaje. Consulte las instrucciones para el usuario proporcionadas por el fabricante del PFAS para obtener detalles completos. Realice sólo conexiones compatibles.

NOTA: No regrese a la abertura donde está instalado el anclaje para realizar trabajos. Un evento de caída en esta área causaría una carga inversa y puede sacar el anclaje de manera inadvertida.

NO coloque el anclaje verticalmente en la apertura.

NO apriete demasiado la abrazadera.

NO deje caer el anclaje desde el techo hasta el piso.

NO someta el anclaje a fuerzas o cargas para las cuales no fue diseñado.

NO se exceda de la dirección adecuada de la carga.

Si el anclaje ha estado sometido a fuerzas de detención de caídas, retírelo de servicio inmediatamente.

EN CASO DE UNA CAÍDA: La parte responsable debe tener un plan de rescate y la capacidad para implementar un rescate. El tiempo de suspensión tolerable en un arnés de cuerpo completo es limitado, por lo que un rescate rápido es crítico.

5. ESPECIFICACIONES

Consulte la Tabla 1 en el Apéndice A.

6. MANTENIMIENTO Y ALMACENAMIENTO

Limpie el anclaje con una solución de detergente suave. Almacene en interiores. Evite los vapores químicos, la humedad y los daños físicos. Aplique una ligera capa de rociador de lubricante con silicona en las roscas de la abrazadera.

7. PROCEDIMIENTO DE INSPECCIÓN:

Antes de cada uso, el usuario deberá inspeccionar el sistema para detectar cualquier daño físico, desgaste, corrosión o piezas faltantes. El Anclaje para puntales de puertas y ventanas debe ser formalmente inspeccionado por una persona competente distinta al usuario por lo menos una vez al año.

Si el anclaje ha estado sometido a una carga de detención de caídas, retírelo de servicio.

Inspeccionar para ver si tiene:

1. Asegúrese de que la unidad está recta y que la pierna deslizante no se traba con el cuerpo principal.
2. Grietas
3. Fracturas
4. Placa o anillo en "D" doblado o roto
5. Corrosión
6. Inspeccione la abrazadera para ver si tiene deformidades, suciedad, grasa, pintura u otro tipo de suciedad.

Registre los resultados de la inspección en el Registro de inspección que se encuentra en el Apéndice B, o en otro registro adecuado.

8. ETIQUETAS

Las siguientes etiquetas deben estar presentes y legibles.

LABEL 1

FALLTECH

Window and Door Jamb Anchor

800.719.4619 www.falltech.com
 Model#: 7465A
 Materials: Aluminum and steel
 Min Break Strength: 3600 lbs.
 Max Capacity: 425 lbs. including clothing, tools, etc.
 OSHA 1926.502

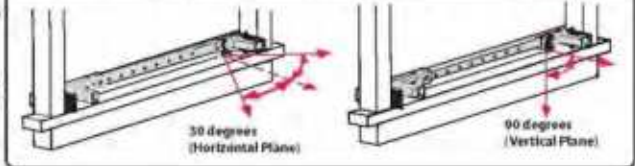
WARNING

WARNING: USER MUST READ AND FOLLOW INSTRUCTIONS SUPPLIED WITH THIS PRODUCT AT TIME OF SHIPMENT. FAILURE TO DO SO MAY RESULT IN SERIOUS INJURY OR DEATH. AVOID CONTACT WITH SHARP EDGES AND ABRASIVE SURFACES. MAKE ONLY COMPATIBLE CONNECTIONS. SEE INSTRUCTIONS FOR RESTRICTIONS ON USE WITH COMPONENTS, SUBSYSTEMS, OR SYSTEMS WITH WHICH THIS PRODUCT IS DESIGNED TO BE USED. SEE INSTRUCTIONS FOR INSPECTION PROCEDURES. TAKE ACTION TO AVOID THERMAL, ELECTRICAL, AND CHEMICAL HAZARDS.

Date of Mfg:
 Serial #:

LR00021020014

ALLOWABLE LOAD DIRECTION and WORK ZONES:



DO NOT REMOVE LABEL

LABEL 2

FALLTECH

INSPECTION GRID

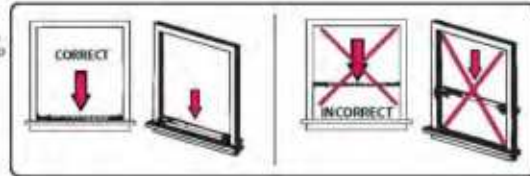
MARK ON GAGE USED: _____ IN DATE OF FINISHED INSPECTION: _____
 IN INITIAL SERVICE DATE: _____ IN DATE OF REMOVAL FROM SERVICE: _____

| | I | F | M | S | W | T | F | S | O | N | D |
|------|---|---|---|---|---|---|---|---|---|---|---|
| 2014 | | | | | | | | | | | |
| 2015 | | | | | | | | | | | |
| 2016 | | | | | | | | | | | |
| 2017 | | | | | | | | | | | |

Inspection:
 Inspect before each use. Check for cracks and corrosion. Do not use if inspection reveals unsafe or defective conditions. This product is not user-repairable. Refer to instructions for complete inspection procedures.

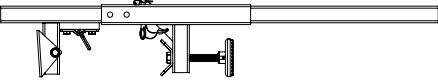
Install and Use: Install the anchor at the bottom of the door or window, in contact with the threshold or sill. Support structure must be able to support the loads the damp will be subjected to in normal use. See the user instruction manual for complete installation requirements. Use the anchor per instructions in the user instruction manual.

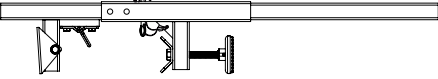
LR00021020014



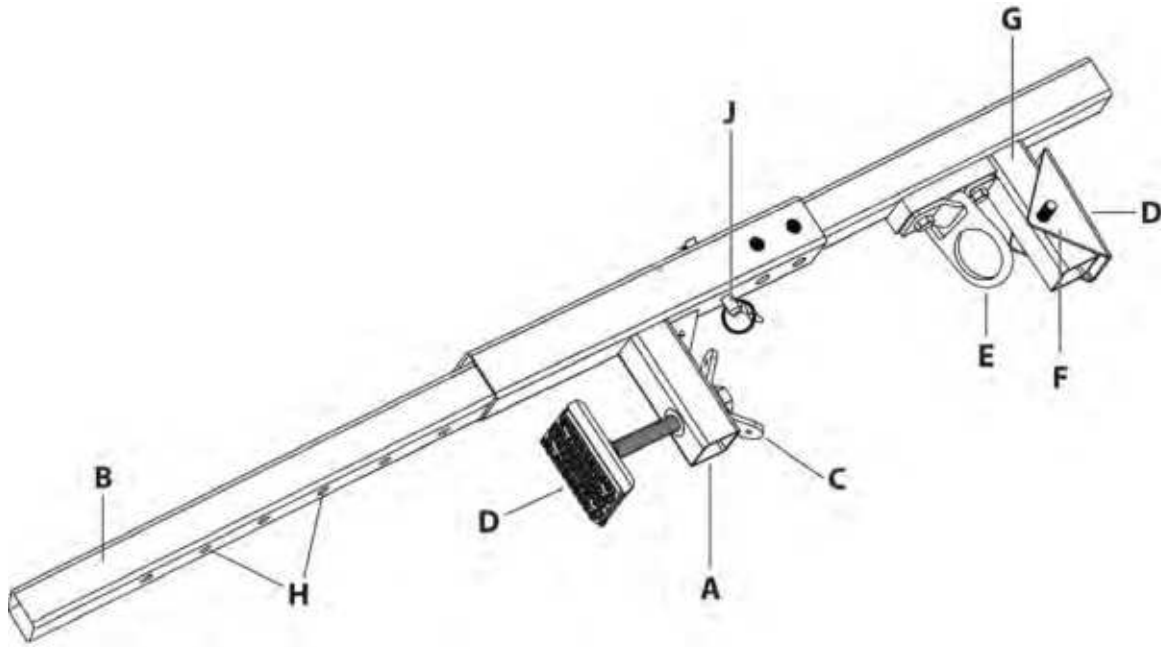
DO NOT REMOVE LABEL

APPENDIX A

| Table 1: Specifications for Window/Door Jamb Anchor | | | | |
|--|---------------------------|---|---|--|
| FallTech Part # | Dimensions | Minimum Tensile Strength and Material | Maximum User Capacity | Anchor |
| <p>7465A adjusts to openings ranging from 21" to 51" wide</p> | <p>8" wide x 52" long</p> | <p>3,600 lbs. Extruded Aluminum Frame Stainless Steel Adjustment Hand Clamp</p> | <p>425 lbs to comply with OSHA only</p> |  |

| Tabla 1: Especificaciones para Anclaje para puntales de puertas y ventanas | | | | |
|---|---|---|--|--|
| FallTech No. de parte | Dimensiones | Resistencia a la tensión mínima y material | Capacidad de usuario máxima | Anclaje |
| <p>7465A ajusta las aperturas de 21" (53,3 cm) a 51" (129,5 cm) de ancho</p> | <p>8" (20,32 cm) de ancho x 52" (132 cm) de largo</p> | <p>3,600 libras (1633 kg) Marco en aluminio extruido Abrazadera de ajuste en acero inoxidable</p> | <p>425 libras (140,6 kg) para cumplir con OSHA solamente</p> |  |

TSWDA.1



FSWDJ1.2

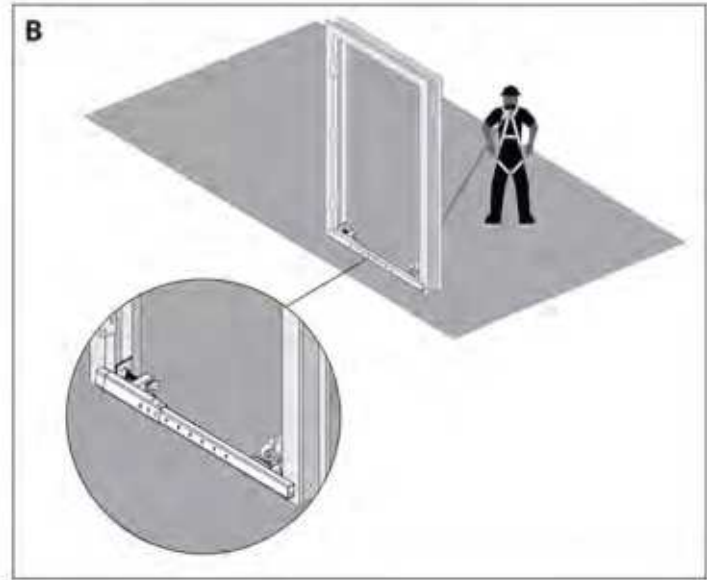
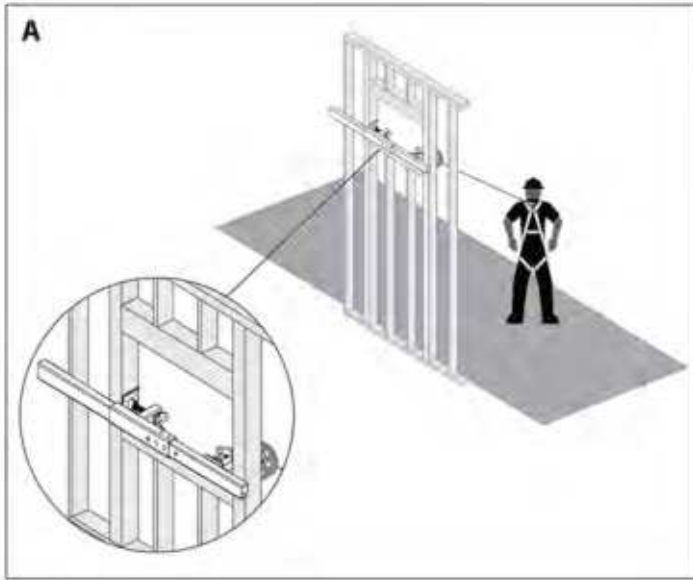
Fig. 1: About Window/Door Jamb Anchor

| | |
|----------|----------------------------------|
| A | Adjustable Leg |
| B | Horizontal Body |
| C | Final Adjustment Hand Clamp |
| D | Protective Pads |
| E | Outward Facing Connection D-ring |
| F | Pivoting Shoe on Fixed Leg |
| G | Fixed Leg |
| H | Preliminary Adjustment Holes |
| J | Locking Pin |

Fig. 1: Acerca del Anclaje para puntales de puertas y ventanas

| | |
|----------|---|
| A | Pierna ajustable |
| B | Cuerpo horizontal |
| C | Abrazadera de ajuste final |
| D | Almohadillas protectoras |
| E | Anillo en "D" con conexión hacia afuera |
| F | Zapata de giro en la pierna fija |
| G | Pierna fija |
| H | Agujeros de ajuste preliminares |
| J | Pasador de bloqueo |

TSWDJ1.1

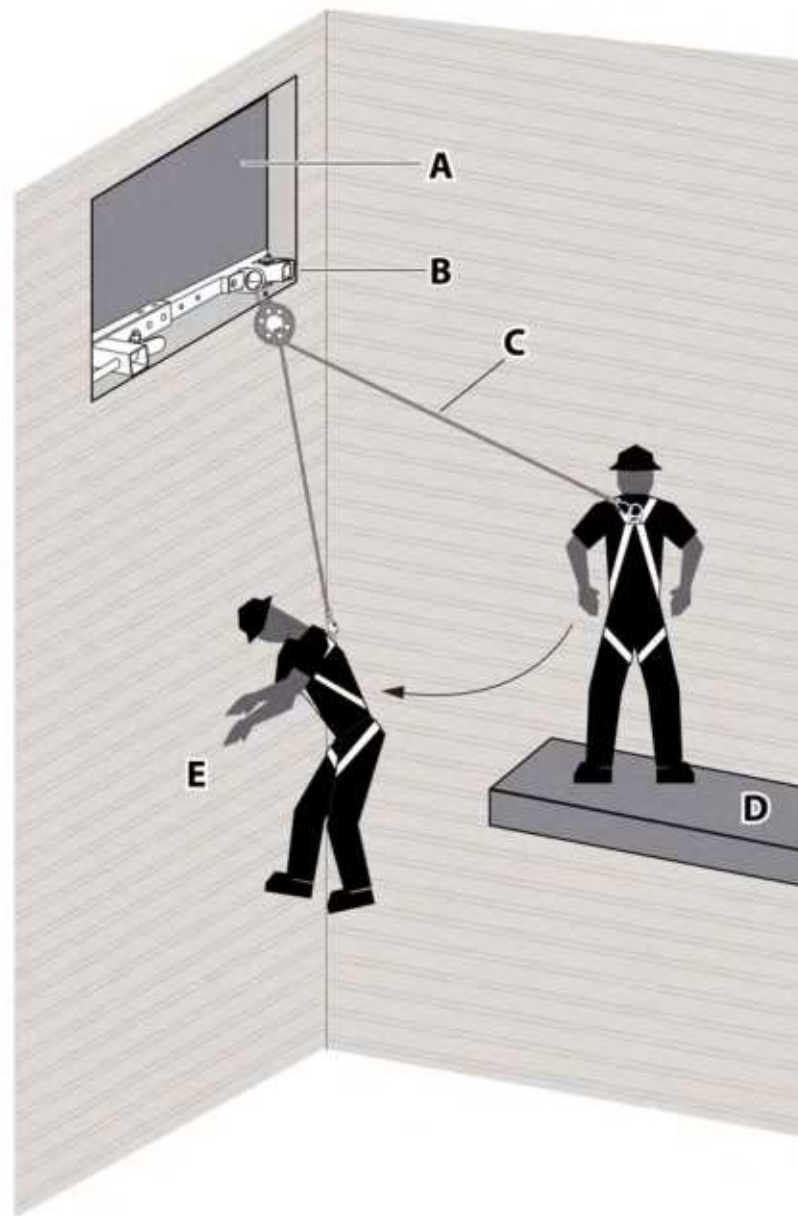


DSWDJ2.2

| Fig. 2: Use of Window/Door Jamb Anchor in Fall Protection | |
|--|--|
| A | Window/Door Jamb Anchor Used for Fall Arrest with Self-Retracting Device |
| B | Window/Door Jamb Anchor Used for Restraint with Restraint Lanyard |
| Note: Connection D-Ring is always facing the User's Fall Hazard | |

| Fig. 2: Uso del Anclaje para puntales de puertas y ventanas en protección contra caídas | |
|--|--|
| A | Anclaje para puntales de puertas y ventanas utilizado para la detención de caídas con dispositivo autorretráctil |
| B | Anclaje para puntales de puertas y ventanas utilizando línea de vida de restricción |
| Nota: El anillo en "D" de conexión siempre queda frente al peligro de caída del usuario | |

TSWDJ2.1



DSWD13.3

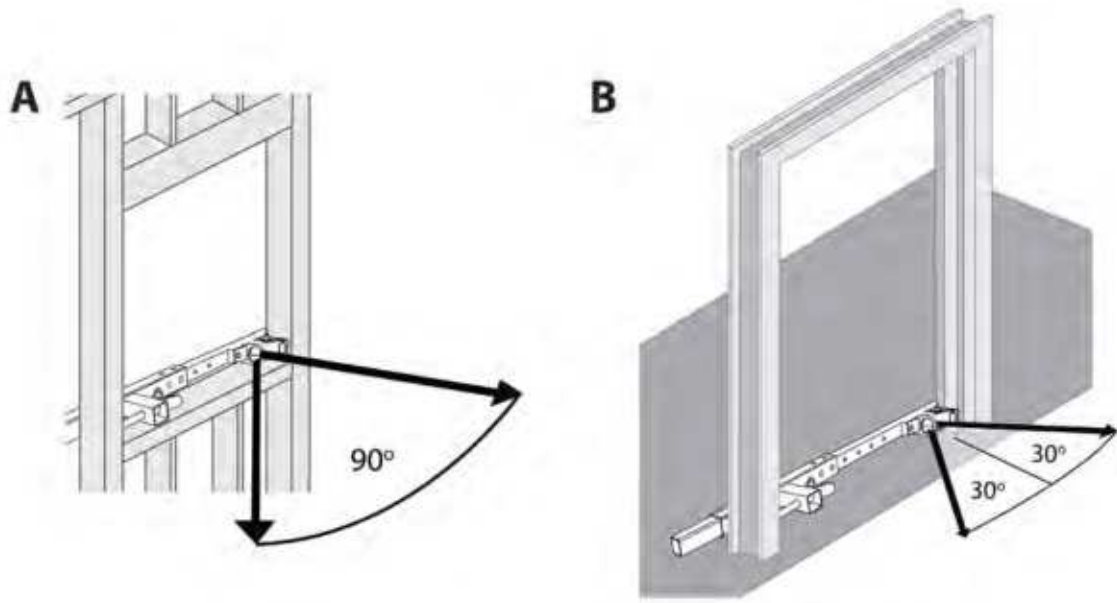
Fig. 3: Swing Fall Hazard

| Fig. 3: Swing Fall Hazard | |
|---------------------------|------------------------------------|
| A | Window Opening |
| B | Window/Door Jamb Anchor |
| C | Self-Retracting Device |
| D | Walking/Working Surface |
| E | Swing Fall Impact after fall event |

Fig. 3: Peligro de caída con balanceo

| Fig. 3: Peligro de caída con balanceo | |
|---------------------------------------|---|
| A | Apertura de la ventana |
| B | Anclaje para puntales de puertas y ventanas |
| C | Dispositivo autorretráctil |
| D | Superficie para caminar/trabajar |
| E | Impacto de caída con balanceo después del evento de caída |

TSWD13.1

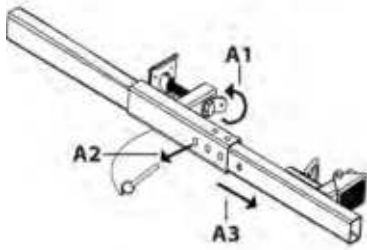


| Fig. 4: Load Direction and Working Range | |
|---|---|
| A | Load Direction on Vertical Plane with Maximum of 90° between straight out and straight down |
| B | Working Range on Horizontal Plane with Maximum of 30° on each Side of Center |
| Do Not Load the Anchor Beyond the 90° Specified | |

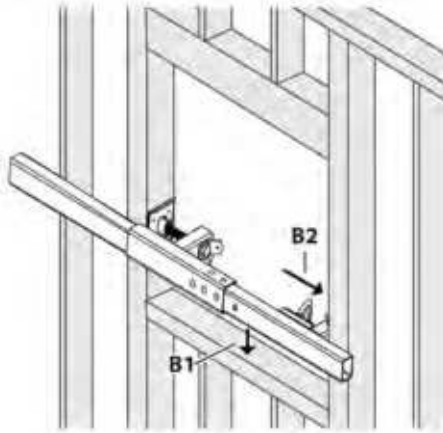
| Fig. 4: Dirección de la carga y rango de trabajo | |
|---|---|
| A | Dirección de la carga en plano vertical con un máximo de 90° entre la dirección recta hacia fuera y hacia abajo |
| B | Rango de trabajo en plano horizontal con un máximo de 30° en cada lado del centro |
| No cargue el anclaje más allá de los 90° especificados | |

TSWD/4.1

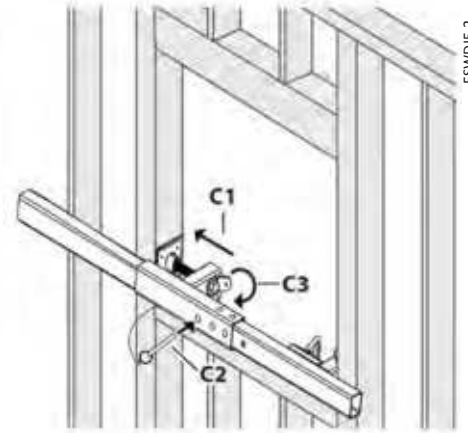
**A. PREPARATION
PREPARACIÓN**



**B. POSITIONING
POSICIONAMIENTO**



**C. FINAL ADJUSTMENT
AJUSTE FINAL**



FSWJDJ5.2

Fig. 5: Installation of Window/Door Jamb Anchor

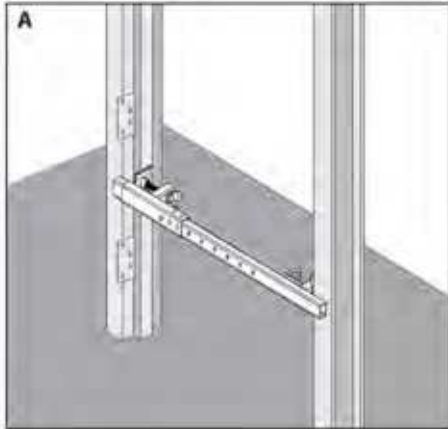
| A. Preparation | | B. Positioning | | C. Final Adjustment | |
|----------------|----------------------|----------------|---------------------------------|---------------------|-----------------------|
| A1 | Loosen Hand Clamp | B1 | Position Anchor flat on Sill | C1 | Slide Adjustable Leg |
| A2 | Remove Locking Pin | B2 | Position Fixed Leg against jamb | C2 | Re-insert Locking Pin |
| A3 | Slide Adjustable Leg | | | C3 | Tighten Hand Clamp |

Fig. 5: Instalación de anclaje para puntales de puertas y ventanas

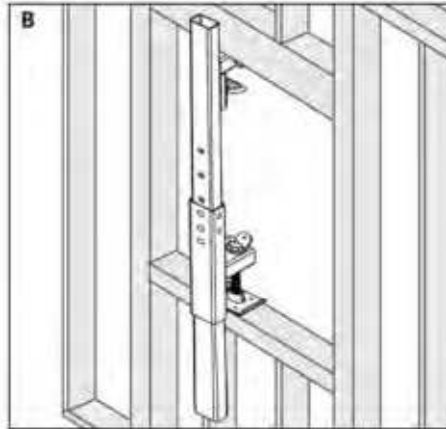
| A. Preparación | | B. Posicionamiento | | C. Ajuste final | |
|----------------|-------------------------------|--------------------|---|-----------------|---|
| A1 | Aflojar la abrazadera a mano | B1 | Colocar el anclaje plano en el alféizar | C1 | Deslizar la pierna ajustable |
| A2 | Retirar el pasador de bloqueo | B2 | Colocar la pierna fija contra la jamba | C2 | Volver a insertar el pasador de bloqueo |
| A3 | Deslizar la pierna ajustable | | | C3 | Apretar la abrazadera a mano |

TSWJDJ5.2

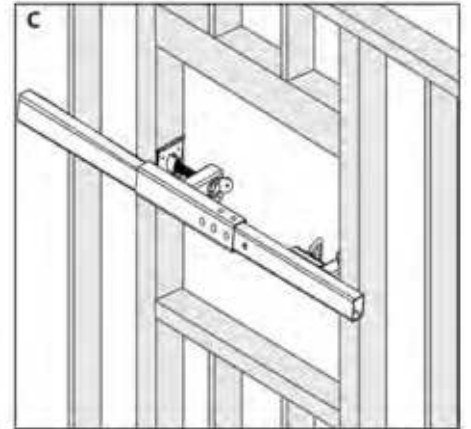
INCORRECT
INCORRECTA



INCORRECT
INCORRECTA



INCORRECT
INCORRECTA



FSWDI6A.1

Fig. 6A: Incorrect Positioning of Window/Door Anchor

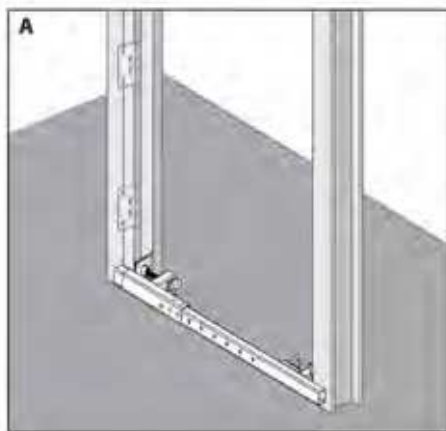
| | |
|----------|---|
| A | Anchor Not Positioned on Floor |
| B | Anchor Positioned Vertically in Opening |
| C | Anchor Not Positioned on Window Sill |

Fig. 6A: Posicionamiento incorrecto del anclaje para ventana/puerta

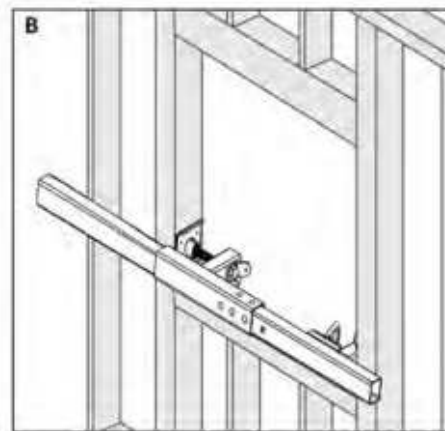
| | |
|----------|--|
| A | Anclaje no está colocado en el piso |
| B | Anclaje colocado verticalmente en la apertura |
| C | Anclaje no colocado en el alféizar de la ventana |

TSWDI6A.1

CORRECT
CORRECTA



CORRECT
CORRECTA



FSWDI6B.1

Fig. 6B: Correct Positioning of Window/Door Anchor

| | |
|----------|---|
| A | Anchor Positioned on Floor in Door Opening |
| B | Anchor Positioned on Sill in Window Opening |

Fig. 6B: Posicionamiento correcto del anclaje para ventana/puerta

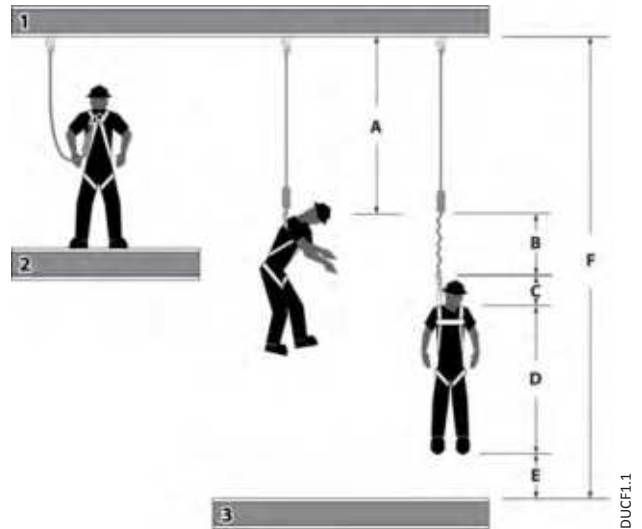
| | |
|----------|--|
| A | Anclaje colocado en el piso en la apertura de la puerta |
| B | Anclaje colocado en el alféizar en la apertura de la ventana |

TSWDI6B.1

APPENDIX B

| Fig. 1 - Minimum Clear Fall Requirement: 6 ft Shock Absorbing Lanyard Measured from Overhead Anchorage Connector | | |
|---|--------|--|
| A | 6 ft | Length of Shock Absorbing Lanyard Original working length before a fall event occurs/before activation of energy absorber |
| B | 4 ft | Elongation/Deceleration Distance Maximum allowable amount of elongation that may payout from the energy absorber upon activation during a fall event |
| C | 1 ft | Harness Stretch and Dorsal D-Ring Shift Combined amount of harness webbing elongation and dorsal back D-ring up-shift during entire fall event |
| D | 5 ft | Height of Dorsal D-ring Typical average height of the dorsal D-Ring on a user's full body harness measured from the walking/working surface up |
| E | 1½ ft | Safety Factor Added length to account for other factors such as an improperly adjusted harness, actual worker height or worker weight |
| F | 17½ ft | Total Minimum Clear Fall Distance Required |

1. Overhead Anchorage 2. Walking/Working Surface 3. Nearest Lower Level or Obstruction



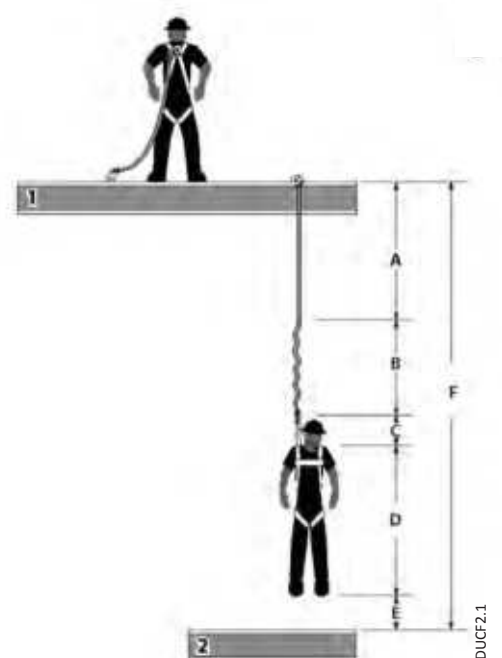
| Fig. 1 - Requerimiento mínimo de claridad: línea de vida con amortiguación de impactos de 6 pies Medida desde el conector de anclaje superior | | |
|--|---------------------|---|
| A | 6 pies (1,8 m) | Longitud de la línea de vida con amortiguación de impactos Longitud de trabajo original antes de ocurrir un evento de caída/antes de la activación del amortiguador de impactos |
| B | 4 pies (1,2 m) | Distancia de elongación/desaceleración Cantidad máxima permitida de elongación que se puede emplear del amortiguador de energía al activarse durante un evento de caída |
| C | 1 pie (0,3 m) | Cambio del anillo en "D" dorsal y tramo del arnés Cantidad combinada de la elongación de la red del arnés y el cambio del anillo en "D" dorsal durante un evento de caída completa |
| D | 5 pies (1,5 m) | Altura del anillo en "D" dorsal Altura típica promedio del anillo en "D" dorsal en el arnés de cuerpo completo de un usuario, medida desde la superficie para caminar/trabajar hacia arriba |
| E | 1½ pies (0,5 m) | Factor de seguridad Longitud agregada para contar otros factores tales como un ajuste inapropiado del arnés, la altura real del trabajador o el peso del trabajador |
| F | 17½ pies (5,3 m) | Distancia mínima total de caída despejada requerida |

1. Anclaje superior 2. Superficie para caminar/trabajar 3. Nivel inferior más cercano u obstrucción

TUCF1.2

| Fig. 2 - Minimum Clear Fall Requirement: 12 ft Free Fall Lanyard Measured from Foot Level Anchorage Connector | | |
|--|--------|--|
| A | 6 ft | Length of Shock Absorbing Lanyard Original working length before a fall event occurs/before activation of energy absorber |
| B | 5 ft | Elongation/Deceleration Distance Maximum allowable amount of elongation that may payout from the energy absorber upon activation during a fall event |
| C | 1 ft | Harness Stretch and Dorsal D-Ring Shift Combined amount of harness webbing elongation and dorsal back D-ring up-shift during entire fall event |
| D | 5 ft | Height of Dorsal D-ring Typical average height of the dorsal D-Ring on a user's full body harness measured from the walking/working surface up |
| E | 1½ ft | Safety Factor Added length to account for other factors such as an improperly adjusted harness, actual worker height or worker weight |
| F | 18½ ft | Total Minimum Clear Fall Distance Required |

1. Walking/Working Surface 2. Nearest Lower Level or Obstruction



| Fig. 2 - Requisito mínimo de caída despejada: línea de vida con amortiguación de impactos para caídas de hasta 12 pies Medida desde el conector de anclaje superior | | |
|--|---------------------|---|
| A | 6 pies (1,8 m) | Longitud de la línea de vida con amortiguación Longitud de trabajo original antes de ocurrir un evento de caída/antes de la activación del amortiguador de energía |
| B | 5 pies (1,5 m) | Distancia de elongación/desaceleración Cantidad máxima permitida de elongación que se puede emplear del amortiguador de energía al activarse durante un evento de caída |
| C | 1 pie (0,3 m) | Cambio del anillo en "D" dorsal y tramo del arnés Cantidad combinada de la elongación de la red del arnés y el cambio del anillo en "D" dorsal durante un evento de caída completa |
| D | 5 pies (1,5 m) | Altura del anillo en "D" dorsal Altura típica promedio del anillo en "D" dorsal en el arnés de cuerpo completo de un usuario, medida desde la superficie para caminar/trabajar hacia arriba |
| E | 1½ pies (0,5 m) | Factor de seguridad Longitud agregada para contar otros factores tales como un ajuste inapropiado del arnés, la altura real del trabajador o el peso del trabajador |
| F | 18½ pies (5,6 m) | Distancia mínima total de caída despejada requerida |

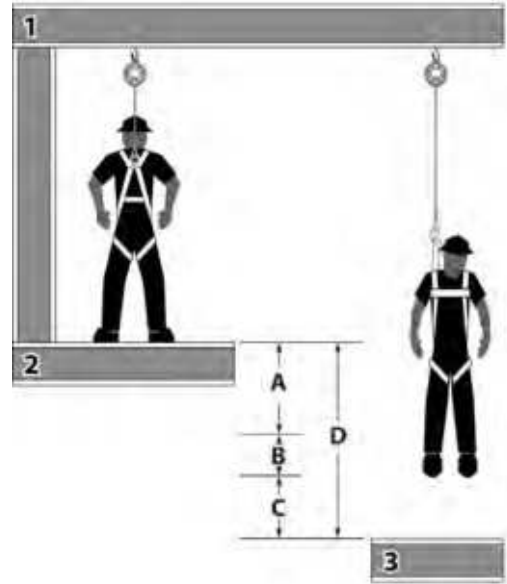
1. Superficie para caminar/trabajar 2. Nivel inferior más cercano u obstrucción

TUCF2.2

DUCF2.1

| Fig. 3 - Minimum Clear Fall Requirement: ANSI Class A Self-Retracting Device | | |
|--|-------|--|
| A | 2 ft | Activation/Deceleration Distance Maximum allowable length of cable or web that may payout from the SRD once deceleration of the user has begun and after a fall event occurs |
| B | 1 ft | Harness Stretch and Dorsal D-Ring Shift Combined amount of harness webbing elongation and dorsal D-ring up-shift during entire fall event |
| C | 1½ ft | Safety Factor Added length to account for other factors such as an improperly adjusted harness, actual worker height or worker weight |
| D | 4½ ft | Total Minimum Clear Fall Distance Required |

1. Overhead Anchorage 2. Walking/Working Surface 3. Nearest Lower Level or Obstruction



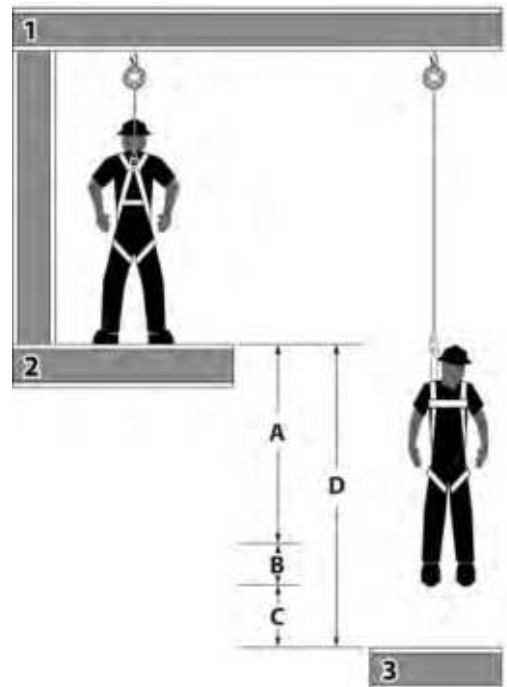
TUCFZA.2

| Fig. 3 - Requisito mínimo de caída despejada: Dispositivo auto-retráctil Tipo A de ANSI | | |
|---|--------------------|--|
| A | 2 pies (0,6 m) | Distancia de activación/desaceleración Distancia máxima permitida del cable o red que puede emplearse desde el SRD una vez que la desaceleración del usuario ha comenzado y después de que ocurra un evento de caída |
| B | 1 pie (0,3 m) | Cambio del anillo en "D" dorsal y tramo del arnés Cantidad combinada de la elongación de la red del arnés y el cambio del anillo en "D" dorsal durante un evento de caída completa |
| C | 1½ pies (0,5 m) | Factor de seguridad Longitud agregada para contar otros factores tales como un ajuste inapropiado del arnés, la altura real del trabajador o el peso del trabajador |
| D | 4½ pies (1,4 m) | Distancia mínima total de caída despejada requerida |

1. Anclaje superior 2. Superficie para caminar/trabajar 3. Nivel inferior más cercano u obstrucción

| Fig. 4 - Minimum Clear Fall Requirement: ANSI Class B Self-Retracting Device | | |
|--|-------|--|
| A | 4½ ft | Activation/Deceleration Distance Maximum allowable length of cable or web that may payout from the SRD once deceleration of the user has begun and after a fall event occurs |
| B | 1 ft | Harness Stretch and Dorsal D-Ring Shift Combined amount of harness webbing elongation and dorsal D-ring up-shift during entire fall event |
| C | 1½ ft | Safety Factor Added length to account for other factors such as an improperly adjusted harness, actual worker height or worker weight |
| D | 7 ft | Total Minimum Clear Fall Distance Required |

1. Overhead Anchorage 2. Walking/Working Surface 3. Nearest Lower Level or Obstruction



TUCFZB.1

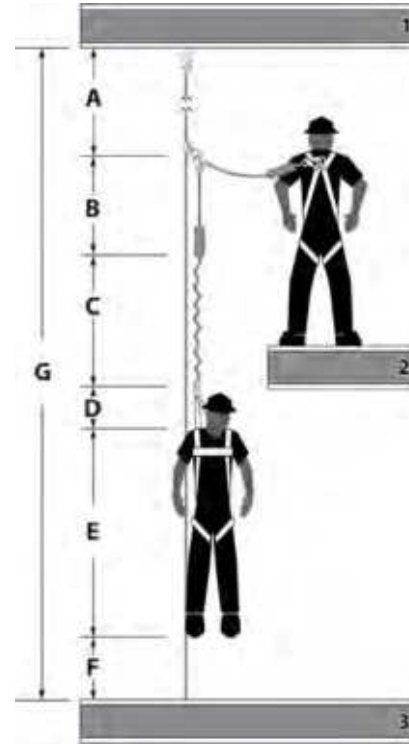
| Fig. 4 - Requisito mínimo de caída despejada: Dispositivo auto-retráctil Tipo B de ANSI | | |
|---|--------------------|--|
| A | 4½ pies (1,4 m) | Distancia de activación/desaceleración Distancia máxima permitida del cable o red que puede emplearse desde el SRD una vez que la desaceleración del usuario ha comenzado y después de que ocurra un evento de caída |
| B | 1 pie (0,3 m) | Cambio del anillo en "D" dorsal y tramo del arnés Cantidad combinada de la elongación de la red del arnés y el cambio del anillo en "D" dorsal durante un evento de caída completa |
| C | 1½ pies (0,5 m) | Factor de seguridad Longitud agregada para contar otros factores tales como un ajuste inapropiado del arnés, la altura real del trabajador o el peso del trabajador |
| D | 7 pies (2,1 m) | Distancia mínima total de caída despejada requerida |

1. Anclaje superior 2. Superficie para caminar/trabajar 3. Nivel inferior más cercano u obstrucción

DUCFZB.1

| Fig. 5 - Managing Stretch | | |
|--|-----------------|--|
| Minimum Clear Fall Requirement: Vertical Lifeline System | | |
| *A | Stretch | Stretch of Vertical Lifeline Stretch = length of VLL from Anchorage Connector to Rope Grab position on VLL multiplied by 10% |
| B | 3 ft | Length of Shock Absorbing Lanyard Original working length before a fall event occurs/before activation of energy absorber |
| C | 4 ft | Elongation/Deceleration Distance Maximum allowable amount of elongation that may payout from the energy absorber upon activation during a fall event |
| D | 1 ft | Harness Stretch and dorsal D-ring Shift Combined amount of harness webbing elongation and dorsal D-ring up-shift during entire fall event |
| E | 5 ft | Height of Dorsal D-ring Average height of the dorsal D-Ring on a user's full body harness measured from the walking/working surface up |
| F | 1½ ft | Safety Factor Added length to account for other factors such as an improperly adjusted harness, actual worker height or worker weight |
| *G | Add A through F | Total Minimum Clear Fall Distance Required *(must calculate for distance A) |

1. Overhead Anchorage 2. Walking/Working Surface 3. Nearest Lower Level or Obstruction



DUCF4C.2

| Fig. 5 - Distancia total de caídas | | |
|--|-----------------|---|
| Requerimiento mínimo de claridad: Sistema de cuerda de salvamento vertical | | |
| *A | Estiramiento | Estiramiento de la cuerda de salvamento vertical Estiramiento = longitud de la VLL desde el conector de anclaje hasta la posición de agarre de la cuerda en VLL multiplicado por 10% |
| B | 3 pies (0,9 m) | Longitud de la cuerda con amortiguación Longitud de trabajo original antes de ocurrir un evento de caída/antes de la activación del amortiguador de energía |
| C | 4 pies (1,2 m) | Distancia de elongación/desaceleración Cantidad máxima permitida de elongación que se puede emplear del amortiguador de energía al activarse durante un evento de caída |
| D | 1 pie (0,3 m) | Cambio del anillo en "D" dorsal y tramo del arnés Cantidad combinada de la elongación de la red del arnés y el cambio del anillo en "D" dorsal durante un evento de caída completa |
| E | 5 pies (1,5 m) | Altura del anillo en "D" dorsal Altura típica promedio del anillo en "D" dorsal en el arnés de cuerpo completo de un usuario, medida desde la superficie para caminar/trabajar hacia arriba |
| F | 1½ pies (0,5 m) | Factor de seguridad Longitud agregada para contar otros factores tales como un ajuste inapropiado del arnés, la altura real del trabajador o el peso del trabajador |
| *G | Sumar A hasta F | Distancia mínima total de caída despejada requerida *(debe calcular para la distancia A) |

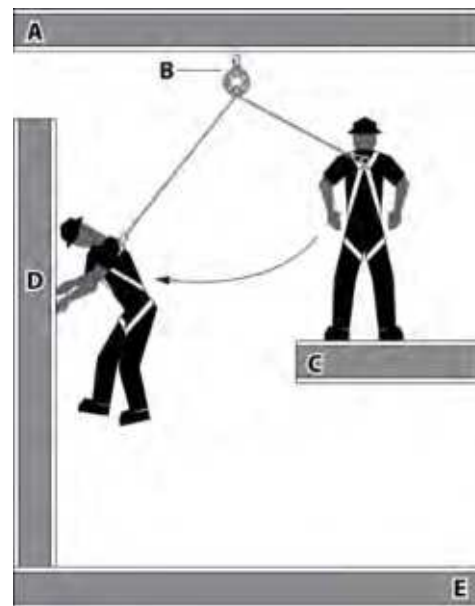
1. Anclaje superior 2. Superficie para caminar/trabajar 3. Nivel inferior más cercano u obstrucción

TUCF4C.1

| Fig. 6 - Swing Fall Hazard | |
|-----------------------------------|------------------------------------|
| A | Anchorage |
| B | Self-Retracting Device (SRD) |
| C | Walking/Working Surface |
| D | Swing Fall Impact after fall event |
| E | Next Lower Level or Obstruction |

| Fig. 6 - Peligro de caída con balanceo | |
|---|---|
| A | Anclaje |
| B | Dispositivo autorretráctil (SRD) |
| C | Superficie para caminar/trabajar |
| D | Impacto de caída con balanceo después del evento de caída |
| E | Siguiente nivel inferior u obstrucción |

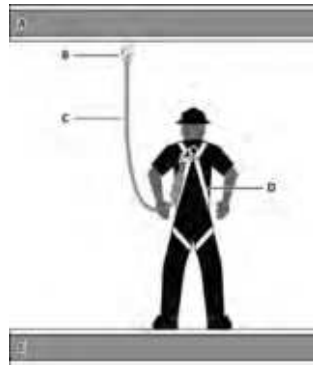
TUSF1.1



DUSF1.2

Common Fall Protection Applications

| Fig. 7 - Fall Arrest (PFAS) | |
|-----------------------------|-------------------------------|
| A | Anchorage |
| B | Anchorage Connector |
| C | Shock Absorbing Lanyard (SAL) |
| D | Full Body Harness (FBH) |
| E | Walking/Working Surface |

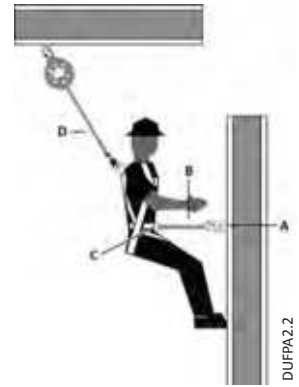


TUFFPA1.1

DUFFPA1.1

| Fig. 7 - Detención de caídas (PFAS) | |
|-------------------------------------|--|
| A | Anclaje |
| B | Conector de anclaje |
| C | Cuerda de salvamento con amortiguación (SAL) |
| D | Arnés de cuerpo completo (FHB) |
| E | Superficie para caminar/trabajar |

| Fig. 8 - Work Positioning | |
|---------------------------|---|
| A | Positioning Anchor |
| B | Positioning Lanyard |
| C | Full Body Harness (FBH) with Side D-Rings |
| D | Back-up Fall Arrest (PFAS) |

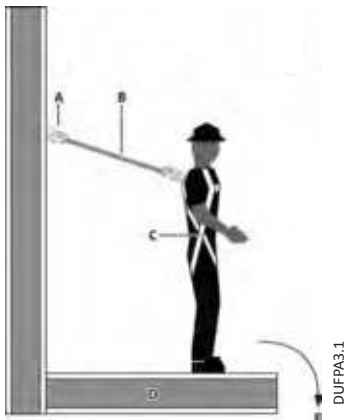


TUFFPA2.1

DUFFPA2.2

| Fig. 8 - Posicionamiento del trabajo | |
|--------------------------------------|---|
| A | Anclaje de posicionamiento |
| B | Cordón de posicionamiento |
| C | Arnés de cuerpo completo (FBH) con anillos en "D" laterales |
| D | Detención de caídas de respaldo (PFAS) |

| Fig. 9 - Restraint | |
|--------------------|-------------------------|
| A | Restraint Anchor |
| B | Restraint Lanyard |
| C | Full Body Harness (FBH) |
| D | Walking/Working Surface |
| E | Fall Hazard Area |



TUFFPA3.1

DUFFPA3.1

| Fig. 9 - Restricción | |
|----------------------|----------------------------------|
| A | Anclaje de restricción |
| B | Cordón de restricción |
| C | Arnés de cuerpo completo (FHB) |
| D | Superficie para caminar/trabajar |
| E | Área de peligro de caídas |

| Fig. 10 - Climbing | |
|--------------------|---|
| A | Fixed Ladder |
| B | Ladder Safety System |
| C | Safety Sleeve/Grab/Trolley |
| D | Full Body Harness (FBH) with Front D-Ring |



DUFFPA4.1

| Fig. 10 - Escalar | |
|-------------------|--|
| A | Escalera fija |
| B | Sistema seguridad de escalera |
| C | Funda de seguridad/agarre/carrito |
| D | Arnés de cuerpo completo (FBH) con anillo en "D" delantero |

TUFFPA4.1

| Fig. 11 - Suspension/Personnel Riding | |
|---------------------------------------|-----------------------------|
| A | Suspension Line |
| B | Suspension Yoke |
| C | Boatswain's Chair/Work Seat |
| D | Full Body Harness (FBH) |
| E | Back-up Fall Arrest (PFAS) |



DUFFPAS.1

| Fig. 11 - Montaje de personal/suspensión | |
|--|--|
| A | Línea de suspensión |
| B | Balancín de suspensión |
| C | Asiento/silla de trabajo de especialista de maniobra |
| D | Arnés de cuerpo completo (FHB) |
| E | Detención de caídas de respaldo (PFAS) |

TUFFPAS.1

| Fig. 12 - Rescue/Retrieval | |
|----------------------------|-------------------------|
| A | Retrieval Line |
| B | Retrieval Yoke |
| C | FBH Shoulder D-Rings |
| D | Full Body Harness (FBH) |

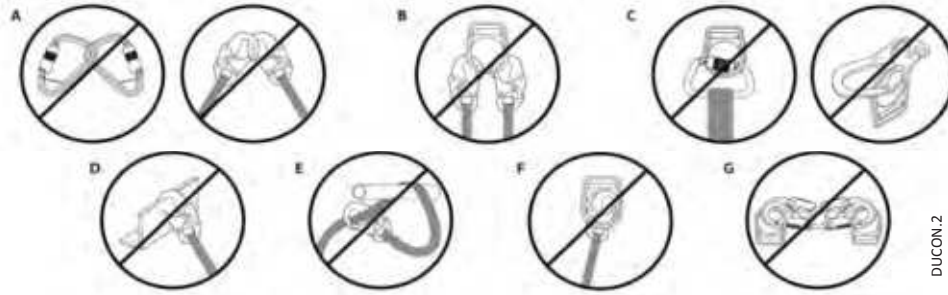


DUFFPA6.1

| Fig. 12 - Rescate/Retirada | |
|----------------------------|---|
| A | Línea de retirada |
| B | Balancín de retirada |
| C | Anillos en "D" para los hombros del FBH |
| D | Arnés de cuerpo completo (FHB) |

TUFFPA6.1

Incorrect Connections / Acronyms for Fall Protection and Fall Arrest / Inspection Record



DUCON.2

| Fig. 13 - Incorrect Connections | |
|---------------------------------|--|
| A | Never connect two active components (snap hooks or carabiners) to each other. |
| B | Never connect two active components (snap hooks or carabiners) to a single D-ring at the same time. |
| C | Never connect in a way that would produce a condition of loading on the gate. |
| D | Never attach to a object in a manner whereby the gate (of the snap hook or carabiner) would be prevented from fully closing and locking. Always guard against false connections by visually inspecting for closure and lock. |
| E | Never attach explicitly to a constituent subcomponent (webbing, cable or rope) unless specifically provided for by the manufacturer's instructions for both subcomponents (snap hook or carabiner and webbing, cable or rope). |
| F | Never attach in a manner where an element of the connector (gate or release lever) may become caught on the anchor thereby producing additional risk of false engagement. |
| G | Never attach a spreader snap hook to two side/positioning D-rings in a manner whereby the D-rings will engage the gates; the gates on a spreader must always be facing away from the D-rings during work positioning. |

| Fig. 13 - Conexiones incorrectas | |
|----------------------------------|---|
| A | Nunca conecte dos componentes activos (ganchos de cierre instantáneo o mosquetones) entre sí. |
| B | Nunca conecte dos componentes activos (ganchos de cierre instantáneo o mosquetones) a un solo anillo en "D" al mismo tiempo. |
| C | Nunca se debe conectar de una manera que se produzca una condición de carga en la hebilla. |
| D | Nunca conecte a un objeto de tal manera que la hebilla (del gancho de cierre instantáneo o del mosquetón) se vea impedida de cerrarse y bloquearse por completo. Siempre protéjase de falsas conexiones mediante la inspección visual del cierre y bloqueo. |
| E | Nunca conecte explícitamente a un subcomponente constituyente (correa, cable o cuerda), a menos que se hayan proporcionado específicamente por las instrucciones del fabricante para los subcomponentes (gancho de cierre instantáneo o mosquetón y correa, cable o cuerda). |
| F | Nunca conecte de modo que un elemento del conector (hebilla o palanca de liberación) pueda quedar atrapada en el anclaje y por lo tanto producir un riesgo adicional de conexión falsa. |
| G | Nunca conecte un gancho de cierre instantáneo del esparcidor a dos anillos en "D" laterales/de posicionamiento en una forma que los anillos en "D" se acoplen a la hebillas; las hebillas en un esparcidor deben estar siempre orientadas hacia el lado opuesto de los anillos en "D" durante el posicionamiento del trabajo. |

TUON.2

| Acronyms for Fall Protection and Fall Arrest; ANSI Z359.0-2012 | | | |
|--|------------------------------------|--------------|---|
| ACTD | Activation Distance | HLL | Horizontal Lifeline |
| AD | Arrest Distance | MAF | Maximum Arrest Force |
| CSS | Connecting Subsystem | mm | Millimeter |
| DD | Deceleration Distance | PFAS | Personal Fall Arrest System |
| DDV | Deceleration Device | PPE | Personal Protective Equipment |
| FACSS | Fall Arrestor Connecting Subsystem | SRD | Self-retracting Device |
| FAS | Fall Arrest System | TFD | Total Fall Distance |
| FBH | Full Body Harness | VLL | Vertical Lifeline |
| FF | Free Fall | VLLSS | Vertical Lifeline Subsystem |
| FFD | Free Fall Distance | WPS | Work Positioning System |
| Other Acronyms for Fall Protection and Fall Arrest | | | |
| RGLS | Rope Grab Lanyard Set | ANSI | American National Standards Institute |
| SAL | Shock Absorbing Lanyard | OSHA | Occupational Safety and Health Administration |
| cm | Centimeters | ASTM | American Society for Testing and Materials |
| kN | kilo-Newton | lbs | pounds (weight) |
| RPA | Rebar Positioning Assembly | TPA | Tower Positioning Assembly |

| Siglas para la protección y detención de caídas; ANSI Z359.0-2012 | | | |
|---|---|--------------|--|
| ACTD | Distancia de activación | HLL | Cuerda de salvamento horizontal |
| AD | Distancia de detención | MAF | Fuerza de detención máxima |
| CSS | Subsistema de conexión | mm | Milímetro |
| DD | Distancia de desaceleración | PFAS | Sistema personal de detención de caídas |
| DDV | Dispositivo de desaceleración | PPE | Personal Protective Equipment |
| FACSS | Subsistema de conexión de detenedor de caídas | SRD | Self-retracting Device |
| FAS | Sistema de detención de caídas | TFD | Total Fall Distance |
| FBH | Arnés de cuerpo completo | VLL | Vertical Lifeline |
| FF | Caída libre | VLLSS | Vertical Lifeline Subsystem |
| FFD | Distancia de caída libre | WPS | Work Positioning System |
| Other Acronyms for Fall Protection and Fall Arrest | | | |
| RGLS | Equipo de agarre de cordón/cuerda | ANSI | Instituto Nacional de Normas de los Estados Unidos |
| SAL | Cuerda de salvamento con amortiguación | OSHA | Administración de Seguridad y Salud Ocupacional |
| cm | Centímetros | ASTM | Sociedad Americana de Pruebas y Materiales |
| kN | Kilo Newton | lbs | Libras (peso) |
| RPA | Ensamblaje de posicionamiento con refuerzo | TPA | Ensamblaje de posicionamiento con torre |

TUAA.2

| INSPECTION RECORD PLANILLA de INSPECCIÓN | | | | | |
|---|-------------------------------|----------------------------------|----------------------------------|---|------------------------------------|
| Model # Modelo N° : _____ | | Serial # N° de serie : _____ | | | |
| Date of Manufacture Fecha de fabricación : _____ | | | | | |
| Inspection Date <i>Fecha de inspección</i> | Inspector <i>Inspector</i> | Comments <i>Observaciones</i> | Pass/Fail <i>Pasó/No pasó</i> | Corrective Action Needed <i>Acción correctiva a realizar</i> | Approved By <i>Aprobado por</i> |
| | | | | | |
| | | | | | |
| | | | | | |
| | | | | | |
| | | | | | |
| | | | | | |
| | | | | | |
| | | | | | |
| | | | | | |
| | | | | | |