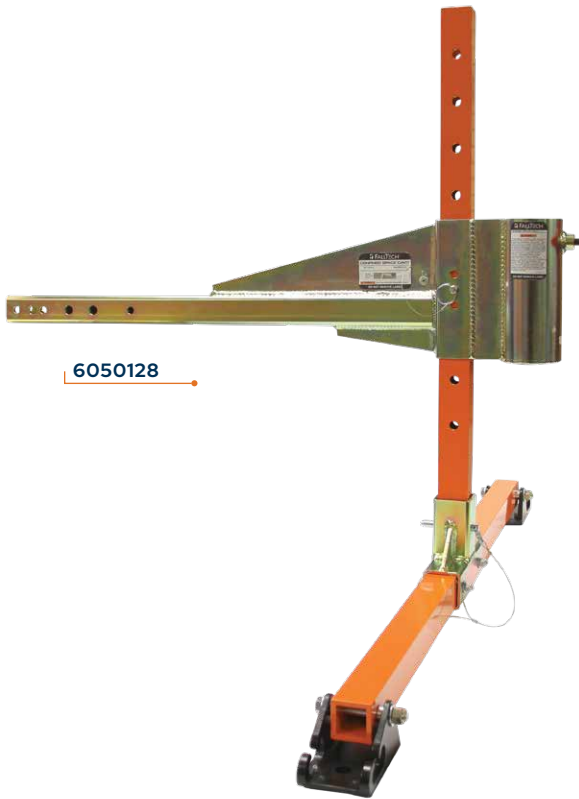




**CONFINED SPACE
ENTRY AND RETRIEVAL
DAVIT SYSTEMS**

CONFINED SPACE ENTRY AND RETRIEVAL DAVIT SYSTEMS



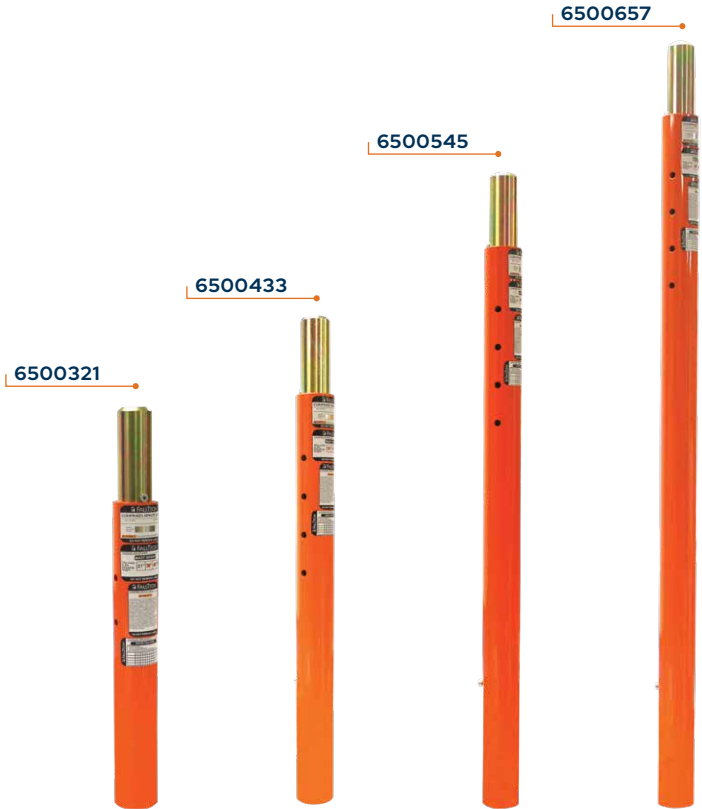
Modular assembly of functional basic components joined in a system, allowing you to work with confidence in Confined Space Entry and Retrieval applications and still maintain the flexibility to modify the system to meet your needs. Lightweight aluminum blended with rugged steel elements throughout, the 5pc Davit System operates with full adjustability and enduring performance.

- 5 piece System includes Davit Arm, 33" Mast, 3 piece Base, and one Universal Device Receiver Bracket
- Davit Arm features adjustable reach from 12" to 29"
- Includes primary and secondary pulleys for multiple devices
- Powder Coated Aluminum components throughout
- Features integral secondary anchor point for Fall Arrest
- Base width adjusts from 38" to 65" with 4 preset positions
- 5 piece Davit Systems also available with 60' Winch or 3-way SRL-R or both

Part #	Description
6050128	5 piece Davit System
6050228W	5 piece Davit System with Winch
6050328R	5 piece Davit System with 3-way SRL-R
6050428WR	5 piece Davit System with Winch and SRL-R
6500728	3 piece Portable Davit Base



DAVIT SYSTEM COMPONENTS



Offered as a separate component, the Davit Arm can be combined with a variety of mast extension lengths and fixed or portable bases to suit your specific applications. Telescoping arm adjusts from 12" to 29", features integral secondary Fall Arrest anchor point, twin pulleys for utilizing multiple devices and, includes a Device Receiver Bracket for Winch and SRL-R mounting.

Lower Mast Extensions allow the user to efficiently adjust the overall height of their Davit System particularly when overhead clearance restrictions are a concern. Mast Extensions are available in the most useful and user-preferred lengths of 21", 33", 45", and 57".

Vehicle Hitch-mount Base installs to a Class 3 vehicle hitch receiver with 2" square receiver socket making the vehicle a functional and effective portable anchor point. For use with 12" to 29" Davit Arm and Mast Extensions. Features vertical height adjustment range of 11" up to 36".

Part #	Description
6500128	Davit Arm with Device Receiver Bracket
6500321	Lower Mast Extension 21"
6500433	Lower Mast Extension 33"
6500545	Lower Mast Extension 45"
6500657	Lower Mast Extension 57"

Part #	Description
6501528	3 piece Vehicle Hitch-mount Base
6512028VH	Foot Bar Replacement for Vehicle Hitch-mount Base
65135VH	Hitch Bar Replacement for Vehicle Hitch-mount Base

CONFINED SPACE FIXED BASES

Permanently installed bases are the definitive solutions where recurrent access to confined spaces require frequent use of the Davit System. All fixed bases are built for cast-in or bolt-on installation on new or existing concrete and/or steel structures, include PVC inserts and are available in both Zinc Plated Steel and Stainless Steel.

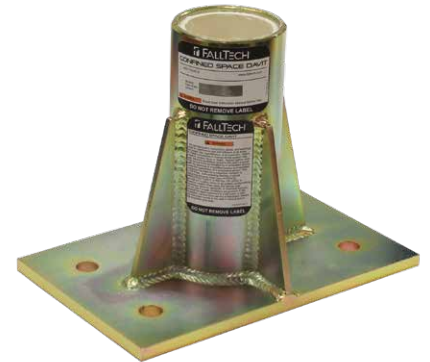
65060FMZ



65070WMZ



65040CMZ



65030CFS



65020BFS

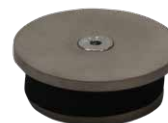


65050CRS

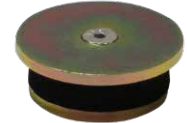


Zinc Plated Part #	Stainless Steel Part #	Description
65060FMZ	65060FMS	Floor-mount Fixed Base- Bolt-on
65070WMZ	65070WMS	Wall-mount Fixed Base- Bolt-on
65040CMZ	65040CMS	Center-mount Fixed Base- Bolt-on
65030CFZ	65030CFS	Flush-mount Fixed Base- Cast-in
65020BFZ	65020BFS	Flush-mount Fixed Base- Bolt-in
65050CRZ	65050CRS	Core-mount Fixed Base- Slip-in
65080SCZ	65080SCS	Cap for Flush and Core-mount Fixed Bases

65080SCZ



65080SCS



All Fixed Bases to be used in conjunction with FallTech Davit System only. See Owner's Manual for additional installation requirements and application restrictions.

CONFINED SPACE DEVICES

7281DG



DuraTech SRL-R's deliver reliable 3-way operation as a Self Retracting Lifeline to arrest the forces of a fall and, as a Retrieval Winch for the emergency rescue of a fallen incapacitated worker. Machined aluminum housing and drum with bronze pawls and dual brake discs provide the rugged service you expect from DuraTech SRL-R's

- Galvanized Steel or Stainless Steel Cable with internal inertial brake system
- Cable Lifeline features Load-indicating swivel Snaphook on the Harness attachment-end
- Includes storage bag and mounting bracket for Davit Mast installation

Part #	Description
7281DG	60' 3-way SRL-R Galv Cable with Davit Arm bracket
7281DS	60' 3-way SRL-R SST Cable with Davit Arm bracket

7297



Single user mechanical Winch for entering and exiting confined spaces features an internal braking system including a secondary brake for redundancy. Includes integral mounting bracket for Davit and Tripod installation.

- 5:1 Gear Ratio Mechanical Advantage with 12' per minute average lifting speed
- Cable Lifeline features Swivel Snap Hook on the Dorsal D-ring attachment-end and includes storage bag

Part #	Description
7297	60' Personnel Winch Galvanized Cable
7297S	60' Personnel Winch Stainless Steel Cable
7298	120' Personnel Winch Galvanized Cable
7298S	120' Personnel Winch Stainless Steel Cable

65102DR



65101DU



Part #	Description
65101DU	Davit Arm Device Receiver Bracket for Winch and SRL-R
65102DR	SRL-R Device Bracket for Confined Space Davit

The following Specifications pertain to Davit System #: 6050128, 6050228W, 6050328R, 6050428WR

System Performance Specifications	
Minimum Strength Ratings by Use **	
Moment Rated	5,750 lbs. Minimum
Rescue Configuration	5,000 lbs. Minimum
Entry/Egress Operation	1,800 lbs. Minimum

Number of Users and Weight Capacities	
Rescue Configuration	2 Users, 310 lbs. each
Entry/Egress Operation	1 User Max 310 lbs.

Materials	
Davit Arm	Powder Coated 6061 Aluminum and Zinc Plated Steel
Mast Extension	
3 piece Portable Base	

** Performance Specifications shown are for 5pc Systems; see Owner's Manual for complete table of Minimum Load Ratings

Relevant Standards	
OSHA	1926.502

General Specifications and Materials shown pertain to Permanent Installation Fixed Bases as listed:

65020BFZ, 65020BFS, 65030CFZ, 65030CFS, 65040CMZ, 65040CMS, 65050CRZ, 65050CRS, 65060FMZ, 65060FMS, 65070WMZ, 65070WMS

General Specifications	
Rated Capacity (Work Load)	620 lbs. @ Minimum 4:1 Design Factor
Mast Moment Proof Load	6,167 ft. lbs.
Mast Rotation	360°

Materials	
General Construction	Welded or Stainless Steel
Base Plate	A-36 Steel Plate; 304 Stainless Steel
Sleeve	Sch 40 Pipe; 304 SS
Sleeve Insert	PVC Pipe, ASTM-D-1785

Additional Directions an Information for Fixed Bases	
To be used in conjunction with FallTech Davit System only. See Owner's Manual for additional installation requirements and application restrictions	

SRL-R Performance Specifications	
Static Strength	3,000 lbs. Minimum
Max. Arrest Distance	54" or less
Avg. Arrest Force	1,125 lbs. or less
Max. Arrest Force	1,800 lbs.
SRD Class	ANSI Class B
User Capacity	130 to 310 lbs. Max

SRL-R Material Specifications		
Cable	3/16" 7 x 19	3,400 lbs. Min. Static Strength
Connector	Plated Alloy Steel	5,000 lbs. Min. Static Strength; 3,600 lbs. Gate Strength
Housing and Drum	Machined Alumium Alloy	

SRL-R Relevant Standards	
ANSI	Z359.14-2014
OSHA	1926.502 and 1910.66

Winch Performance Specifications	
Static Strength	3,000 lbs. Minimum
Handle Operation Force	30 lbs. Minimum
User Capacity	130 to 310 lbs. Max

Winch Material Specifications		
Cable	3/16" Galvanized Steel or Stainless Steel 7 x 19	3,400 lbs. Min. Static Strength
Connector	Plated Alloy Steel	5,000 lbs. Min. Static Strength; 3,600 lbs. Gate Strength
Drive and Drum Gears	Alloy Steel	
Integral Bracket	Carbon Steel	

Winch Relevant Standards	
ANSI	Z359.4-2013 and Z117.1-2009
OSHA	1926.502, 1926.1200 and 1926.146