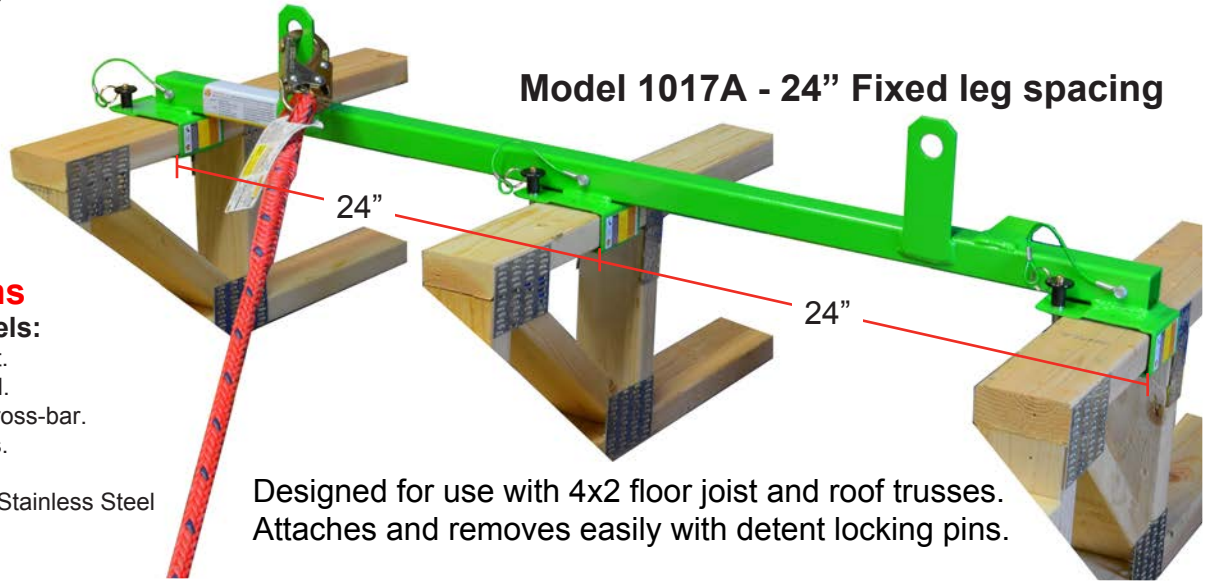


SAS-4x2 Safety Bar

Fall Protection Anchorage Device for Framers



Super Anchor Safety Bars are designed to withstand the tough environmental conditions common in the framing industry and will provide many years of service life.



Model 1017A - 24" Fixed leg spacing

Mfg. Specifications

1017A and 1017B Models:

- 2 person capacity Fall Arrest.
- Safety Green powder coated.
- 1.5 x 1.5 x 1/8" A-36 Steel Cross-bar.
- 2" x 3/16" Attachment Stems.
- 3/16" Bump Bar.
- 3/8" diam., 18,000lb strength Stainless Steel detent pins.
- Coated cable pin tethers.

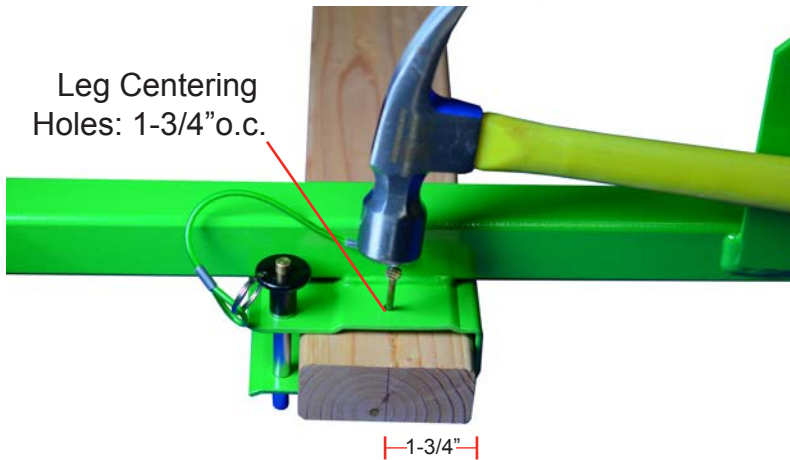
Designed for use with 4x2 floor joist and roof trusses. Attaches and removes easily with detent locking pins.



Model 1017B - 16" Fixed leg spacing

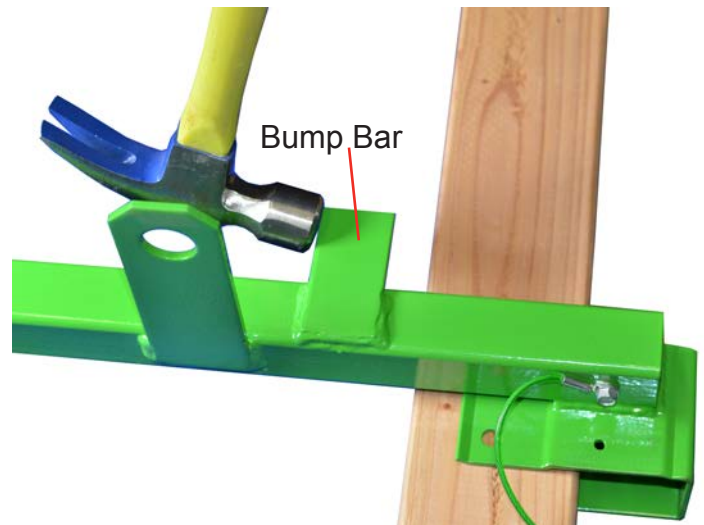
Fall indicator attachment points

Leg Centering Holes: 1-3/4" o.c.



Feature List

- Fall Arrest use 2 person capacity.
- Heavy duty powder coated steel.
- Replaceable detent locking pins.
- Replaceable tethers.
- Fall indicator attachment points.
- Perfect leg spacing.
- Top chord centering holes.




3 models to choose from and custom designs at your request:

Model	Leg spacing	Truss spacing	wt.
1017A	24" Fixed	12/24"	14lb
1017B	16" Fixed	16"	15lb
1017C	12-16-24" Adjustable	12-16-24"	15lb

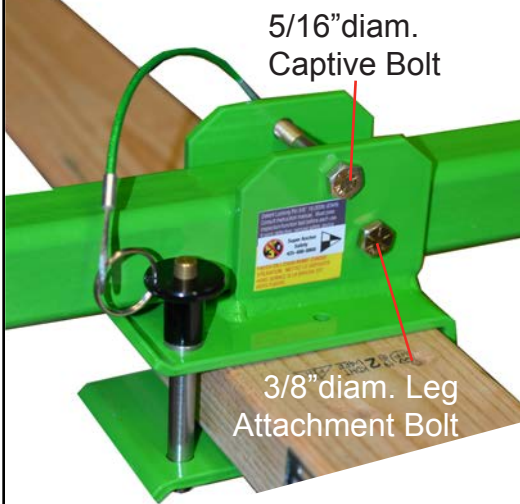
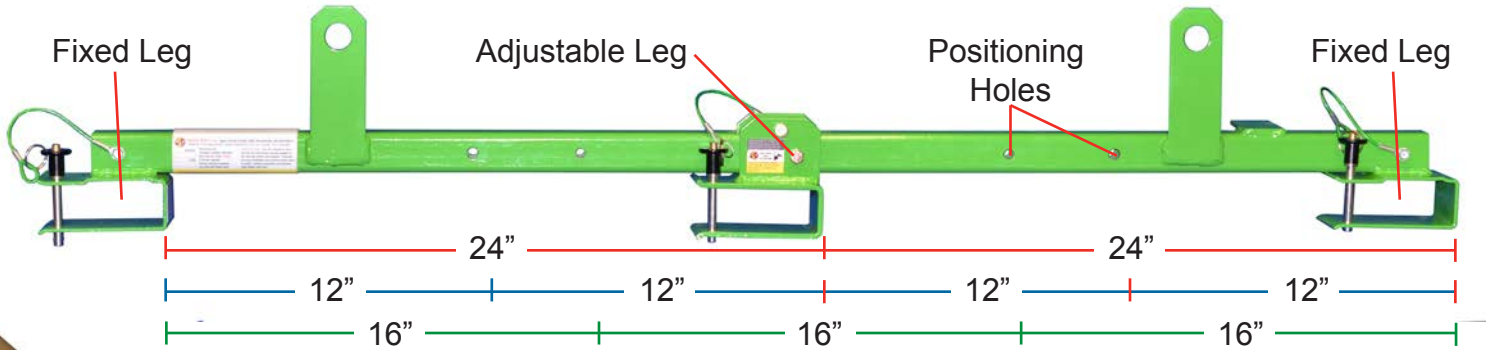
SAS-1017C Combi Bar™ pat pend.

w/ Adjustable Leg Spacing!

CSA Certified Manufacturer 



The ultimate layout combination safety tool compatible with all common joist layouts and easily adjusted with a single bolt. Supplied with two fixed end legs and one adjustable leg with attachment points for 12", 16", and 24" spacing. A single Safety Bar does it all, with a two person tie-off capacity.



5/16" diam. Captive Bolt

3/8" diam. Leg Attachment Bolt

Easy to adjust moveable leg
Remove leg attachment bolt, slide leg shoe to desired spacing and secure attachment bolt.



Quick Change Option

Detent pin compatible attachment bolt hole. Order replacement Detent pin and attach.

Safety Bars require a minimum of 3 legs to be attached to top chords for fall arrest use by 2 persons.

Mfg. Specifications

1017C additional specs:
1/8" A-36 Steel cross-bar.
3/16" adjustable leg shoe.
Grade 8 attachment bolts or sst. captive and leg attachment bolts.

Maintenance

Servicing your safety bar is easy. Order SAS factory certified replacement parts: detent pins, tethers, attachment bolts and warning labels.

Component Compatibility

Attachment stems are engineered to accept all ANSI and CSA class 1 connectors.

Fall Indicator Feature

Free falls, especially those over 6ft., can produce extreme force affecting the strength and integrity of a fall protection device. For that very reason, safety standards require removal from service when a device has been subjected to a free fall. Safety Bar attachment stems are designed to perform two valuable functions: Absorbs energy during a fall, stem deformation provides a visual fall indicator.



3/8" diam., 18,000lb rated stainless steel detent pins.

Order additional adjustable legs use Part N° 1017G

SUPER ANCHOR SAFETY

8522-216th St. SE, Woodinville, WA 98072-8009

Phone: 425-488-8868 or Fax: 360-668-1717

e-mail: sales@superanchor.com

www.superanchor.com

