

The Frontline manhole guardrail system is meant to be a temporary barrier that will help prevent an accidental fall through a manhole opening as outlined by OSHA 1910.146. The guardrail is not a means of fall arrest, but awareness and acts as a temporary barrier. Please follow the instructions below to properly set-up the manhole guardrail and if there any questions or concerns please reach out to us at info@frontlinefall.com.



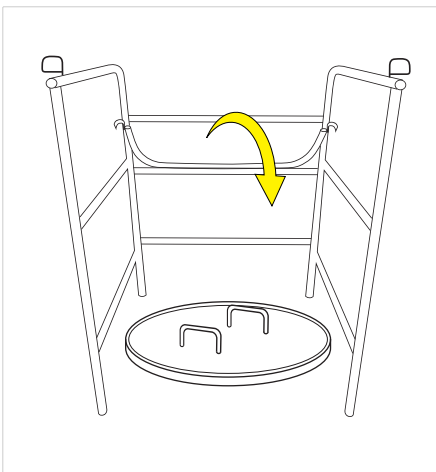
1. Position the guardrail over manhole lid while still covered.



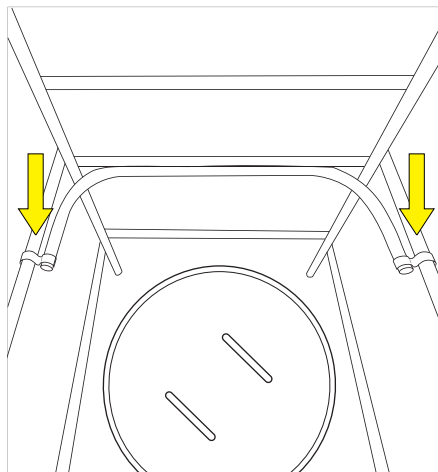
2. Open the manhole legs outwards.



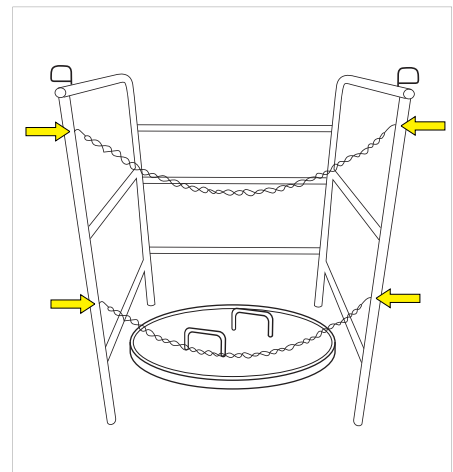
3. Position both arms so that they are parallel to each other.



4. Pull out the safety brace downwards.



5. Secure the safety brace onto both arms so that it locks in place and it's secure and stable.



6. Position the chains on both arms in order to fully secure all four sides.



User Instruction Manual

WARNING TO USER!

You are required to read and fully understand the user instruction manual **BEFORE** using this product. Improper use and installation can result in serious injury or death. User manuals occasionally may be updated so for the latest user manual please visit www.frontlinefall.com/uim.