

# SPEC SHEET

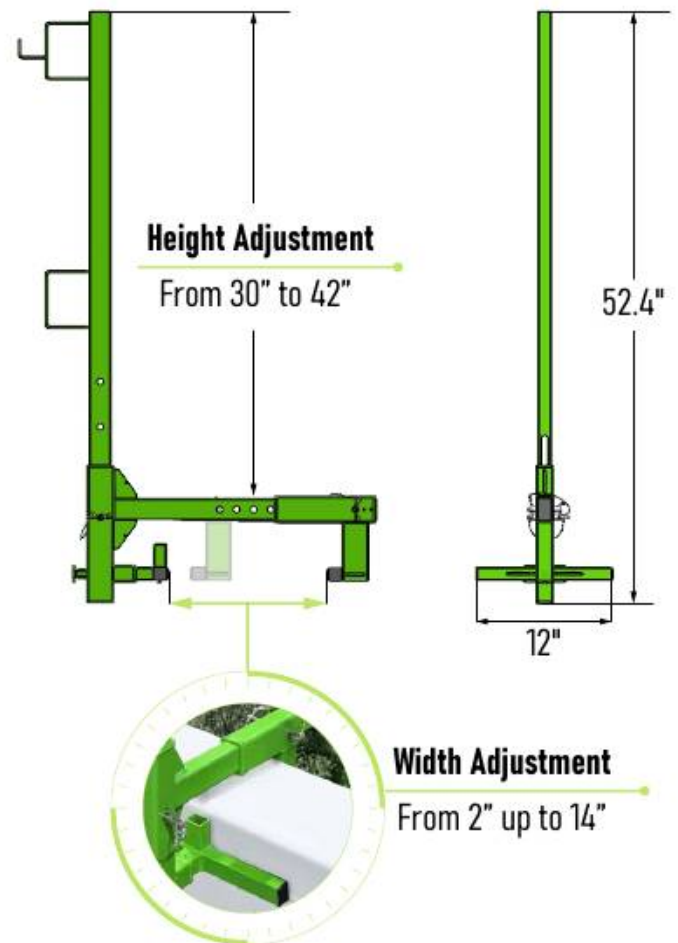
## Parapet Wall and Universal Guardrail System



GUP2X4



### Product Dimensions



### Features

Comes pre-installed for added edge protection and compliance

High-Visibility finish to all workers on the job site

Easy to handle and transport without compromising durability

Provides a stable guardrail system wherever temporary or permanent fall protection is required

Tubular design enables fast placement and removal

### Design Specifications

Application	Parapet Wall
System Weight	25 lbs
Material	ASTM Rated Steel
Available Finishes	 Powder Coated Safety Green  Hot Dip Galvanized

### Relevant Standards

OSHA	1910
	1926



www.frontlinefall.com info@frontlinefall.com

6 Lee Blvd, Malvern, PA 19355