

SPEC SHEET

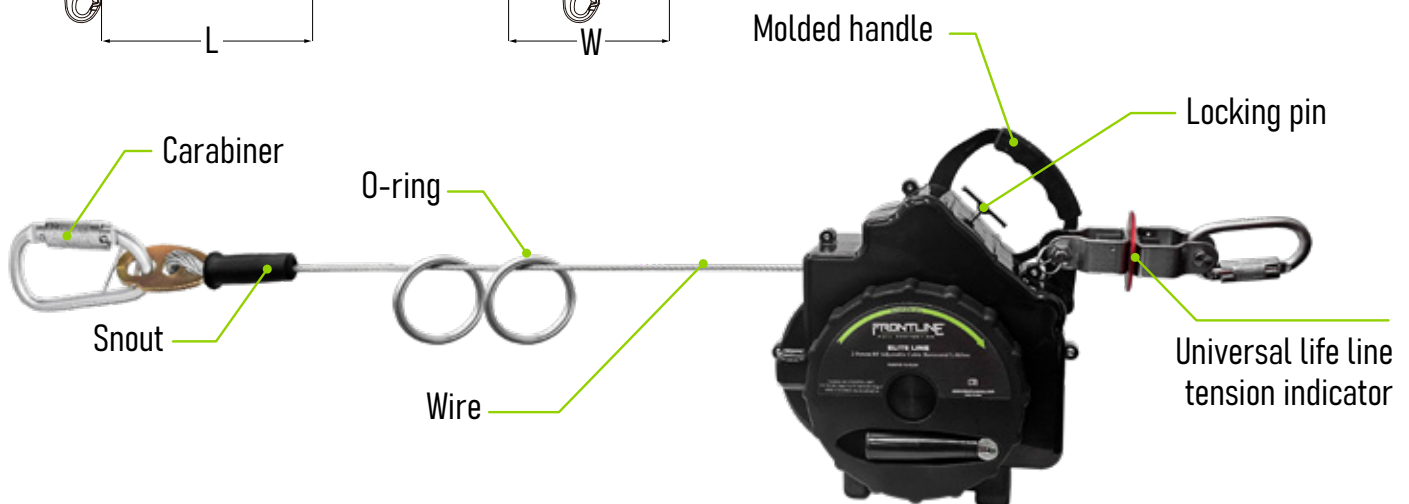
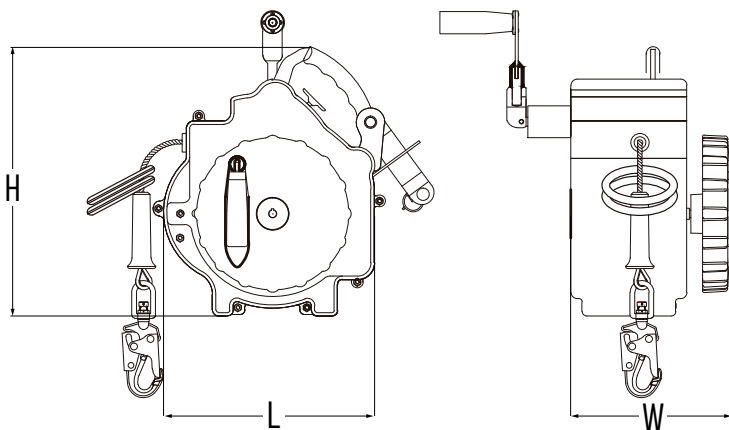
Elite Two Person 60' Temporary Horizontal Lifeline System



HCLL260

Features	
Lightweight and portable design	
Extremely easy to install	
Retracts the line for easy transport	
Reduces fall impact forces	
Easy carrying and better ergonomics	
Easy attachment to anchor points	
Materials	
Housing	High-Strength Polymer
Wire Rope	Galvanized Steel

Design Specifications	
Users	Two Person
User Capacity	310 lbs/ Person
Rope	7x19 Wire Rope of dia 1/4"
Wire Rope Length	60'
Weight	34.5 lbs
System Breaking Strength	+ 5,000 lbs
Dimensions	13" L x 13.5" H x 11" W
Relevant Standards	
EN	795:2012 Type C
TS	16415:2013 Type C (for up to 2 users)
ATEX	2014/3
OSHA	1926
	1910



FRONTLINE
FALL PROTECTION

www.frontlinefall.com info@frontlinefall.com

6 Lee Blvd, Malvern, PA 19355