

## USER INSTRUCTION MANUAL

### WARNING TO USER!

You are required to read and fully understand the user instruction manual BEFORE using this product. Improper use and installation can result in serious injury or death. User manuals occasionally may be updated so for the latest user manual please visit [www.frontlinefall.com/uim](http://www.frontlinefall.com/uim)



## DAVIT ARM

THIS INSTRUCTION MANUAL  
APPLIES TO THE FOLLOWING MODEL:  
DAC-54MAST, DAC-36BOOM,  
DAC-WALLMT, DAC-FLRMT,  
DAC-HBASE

ANSI Z 359.18-2017  
and OSHA



Please read and understand the manufacturer's instructions for each component or part of the complete system. Manufacturer's instructions must be followed for proper use, care, and maintenance of this product. These instructions must be retained and be kept available for the user's reference at all times. Alterations or misuse of this product, or failure to follow instructions, may result in serious injury or death.

**Note:** The user is advised to keep this user instructions document for the life of the product.

This manual must be read and understood in its entirety and used as part of fall protection training program as required by OSHA or any state regularity agency. These instructions are intended to meet the manufacturer instructions as required by ANSI Z 359.18-2017 Type A and OSHA. The user must fully understand the proper equipment use and limitations.

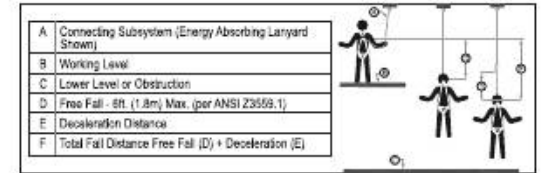
1. **APPLICATION & USE:** The FRONTLINE Davit Systems have been designed for safe access into a variety of confined spaces, including Rope access and Jump Form rescue and evacuation. The UIM will cover the H-Base Davit, Floor Mount Davit and Wall Mount Davit. The Extreme Davit Systems allow the Mast & Boom to be interchangeable across all of our Range which allows the user flexibility.
2. **GENERAL REQUIREMENTS, WARNINGS AND LIMITATIONS:** The Equipment is designed for use as a part of a personal fall protection system. Components must not be used for any other operation other than that which it has been designed and approved. Fall Arrest system are designed to comply with OSHA. Fall Restraint System must be designed by a Qualified Person, and must be installed and used under the supervision of a competent person.
  - All authorized persons/users must refer the regulations governing occupational safety, as well as applicable ANSI or CSA standards. Please refer to product labeling for information on specific OSHA regulations, and ANSI and CSA standards met by product.
  - Consult a doctor if there is any reason to doubt a user's ability to withstand and safely absorb fall arrest forces. Age, fitness, health conditions can seriously affect the worker a fall occur. Pregnant Women and minors should not use this equipment.
  - Proper precautions should always be taken to remove any obstructions, debris, material, or other recognized hazards from the work area that could cause injuries or interfere with the operation of the system. All equipment must be inspected before each use according to the manufacturer's instructions. All equipment should be inspected by a qualified person on a regular basis.
  - To minimize the potential for accidental disengagement, a competent person must ensure system compatibility.
  - Equipment must not be altered in any way. Repairs must be performed only by the Manufacturer, or persons or entities authorized in writing by the manufacturer.
  - Any product exhibiting deformities, unusual wear, or deterioration must be immediately discarded. Any equipment subject to a fall must be removed from service. The authorized person/user shall have a rescue plan and the means at hand to implement it when using this equipment.
  - Never use fall protection equipment for purposes other than those for which it was designed. Fall protection equipment should never be used for towing or hoisting.
  - All synthetic material must be protected from slag, hot sparks, open flames, or other heat sources. The use of heat resistant materials is recommended in these applications.
  - Never use natural materials (manila, cotton, etc.) as part of a fall protection system.
  - Do not expose this equipment to chemicals which may have a harmful effect on the materials used to construct it. Be especially aware of caustic environment, or those that contain high levels of organic acids or bases. If you are uncertain about the safe operation of this equipment in any environment, contact FRONTLINE for further instructions.
  - Do not use the equipment near sharp edges, abrasive surfaces and looping around small diameter structural members.
  - Do not use the equipment around moving machinery or electrical hazards.
  - It should not be used in highly acidic or basic environment.
  - Davit arm should be a personal property of its user.

FRONTLINE Davits should be used only with the combinations of components, sub-systems or both which may affect or interfere with the safe function of one another. Be certain that connecting devices are compatible and that other elements of the personal fall arrest systems are safe to use and compatible before use.

**2. SYSTEM LIMITATIONS & REQUIREMENTS:** Consider the following limitations/requirements prior to installing or using this equipment:

- **Capacity:** FRONTLINE Davits is designed for use by ONE person with a combined weight (clothing, tools, etc.) of no more than 310 lbs. (140 kg) Make sure all of the components in your system are rated to a capacity appropriate to your application. FRONTLINE Davits is rated 5000lbs.
- **Free Fall:** Personal fall arrest systems used with this equipment must be rigged to limit the free fall to 6 feet (1.8 M) per ANSI Z359.1. Restraint systems must be rigged so that no vertical free fall is possible. Work positioning systems must be rigged so that free fall is limited to 2 feet (.6 m) or less. Personnel riding systems must be rigged so that no vertical free fall is possible. Climbing systems must be rigged so that free fall is limited to 18 inch. (.46 cm) or less. Rescue systems must be rigged so that no vertical free fall is possible. See subsystem manufacturer's instructions for more information. Below figure illustrates fall clearance requirements. There must be sufficient clearance below the user to allow the system to arrest a fall before the user strikes the ground or other obstruction. Clearance required is dependent on the following factors:

- Elevation of Anchorage
- Connecting Subsystem Length
- Deceleration Distance
- Free Fall Distance
- Worker Height
- Movement of Harness Attachment Element



- **Swing Falls:** Swing falls occur when the anchorage point is not directly above the point where a fall occurs. The force of striking an object in a swing fall may cause serious injury or death. Minimize swing falls by working as close to the anchorage point as possible. Do not permit a swing fall if injury could occur. Swing falls will significantly increase the clearance required when a self-retracting lifeline or other variable length connecting subsystem is used.
- **Environmental Hazards:** Use of this equipment in areas with environmental hazards may require additional precautions to prevent injury to the user or damage to the equipment. Hazards may include, but are not limited to; heat, chemicals, corrosive environments, high voltage power lines, gases, moving machinery, and sharp edges.
- **Compatibility of Components:** Unless otherwise noted, FRONTLINE equipment is designed for use with FRONTLINE approved components and subsystems only. Substitutions or replacements made with non-approved components or subsystems may jeopardize compatibility of equipment and may affect safety and reliability of the complete system.
- **Compatibility of connectors:** Connectors are considered to be compatible with connecting elements when they have been designed to work together in such a way that their sizes and shapes do not cause their gate mechanisms to inadvertently open regardless of how they become oriented. If the connecting element that a snap hook or karabiner attaches to is undersized or irregular in shape, a situation could occur where the connecting element applies a force to the gate of the snap hook or karabiner. This force may cause the gate (of either a self-locking or a non-locking snap hook) to open, allowing the snap hook or karabiner to disengage from the connecting point. Connectors must be compatible in size, shape, and strength. Self-locking snap hooks and karabiners are required by ANSI Z359.1 and OSHA.
- **Making connections:** Always use snap hooks and karabiners which needs double manual action to open with this equipment. Only use connectors that are suitable to each application. Ensure all connections are compatible in size, shape and strength. Do not use equipment that is not compatible. Ensure all connectors are fully closed and locked. The connection should not be made-
  - To a D-ring to which another connector is attached.
  - In a manner that would result in a load on the gate.
  - In a false engagement, where features that protrude from the snap hook or karabiner catch on the anchor and without visual confirmation seems to be fully engaged to the anchor point.
  - To each other.
  - Directly to webbing or rope lanyard or tie-back (unless the manufacturer's instructions for both the lanyard and connector specifically allow such a connection).
  - To any object which is shaped or dimensioned such that the snap hook or karabiner will not close and lock, or that roll-out could occur.



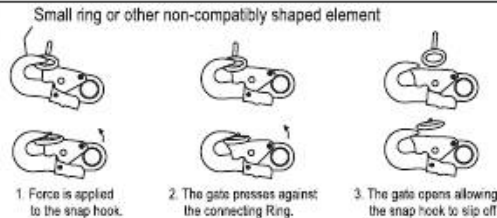
**NOTE:** Other than 3,600 lb. (16 kN) gated hooks, large throat opening snap hooks should not be connected to standard size D-rings or similar objects which will result in a load on the gate if the hook or D-ring twists or rotates. Large throat snap hooks are designed for use on fixed structural elements such as rebar or cross members that are not shaped in a way that can capture the gate of the hook.

**3. RESTRICTIONS REGARDING MAKING CONNECTIONS:**

- Use connectors conforming to ANSI Z351.12.2009 to make connections.
- Do not make connections where the hook locking mechanism can come into contact with a structural member or other equipment and potentially release the hook.
- Do not connect a snap hook into a loop or thimble of a wire rope or attach in any way to a slack wire rope.
- The snap hook must be free to align with the applied load as intended (regardless of the size or shape of the mating connector)
- A karabiner may be used to connect to a single or pair of soft loops on a body support such as a body belt or full body harness, provided the karabiner can fully close and lock. This type of connection is not allowed for snap hooks.
- A karabiner may be connected to a loop or ring connector that is already occupied by an automatic closing connector.

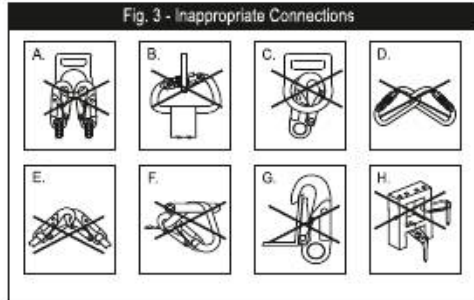
**Fig. 2 - Unintentional Disengagement (roll-out)**

If the connecting element to which a snap hook (shown) or karabiner attached is undersized or irregular in shape, a situation could occur where the connecting element applies a force to the gate of the snap hook or karabiner. This force may cause the gate (of either a self-locking or a non-locking snap hook) to open, allowing the snap hook or karabiner to disengage from the connecting point.



**4. CONNECTING SUB-SYSTEMS:**

Personal fall arrest systems used with this equipment must meet applicable state, OSHA and ANSI requirements. A full body harness must be worn when this equipment is used as a component of a personal fall arrest system. As required by OSHA, the personal fall arrest system must be capable of arresting the user's fall with a maximum arresting force of 1,800 lbs. (8 kN), and limit the free fall to 6 ft. (1.8 m) or less. If the maximum free fall distance must be exceeded, the employer must document, based on test data, that the maximum arresting force will not be exceeded, and the personal fall arrest system will function properly. Free fall greater than 6 ft. (1.8 m), and up to a maximum of 12 ft. (3.7 m) is possible, FRONTLINE recommends using a personal fall arrest system incorporating a FRONTLINE Energy Absorbing Lanyard. FRONTLINE has performed testing using the FRONTLINE Energy Absorbing Lanyard in free falls up to 12ft. (3.7 m) to ensure the maximum arresting force does not exceed 1,800 lbs. (8.0 kN), and the system functions properly.



- **Rescue Plan:** Rescue operation must be performed by the trained and competent personal. The rescue operation must be performed under the supervision of the rescue expert team or personal. It is advised that while working on site work in pairs. Before going for the work the user must have the rescue plan according to the work.
- **If Equipment Is Subjected To A Fall:** Remove the equipment from service immediately if it has been subjected to the forces of a fall arrest. Contact your distributor or FRONTLINE about policies regarding replacement of FRONTLINE components involved in a fall.

**5. SPECIFIC INSTRUCTIONS:** FRONTLINE Anchors are designed to provide complete attachment system to user in the event of a fall. These attachment systems must be connected to the proper body support and connecting facility. These Anchors are meant to hold the victim of fall till the rescue operation is performed, so this is important that the whole system must have all the essential components before going for the use. The whole fall arrest system must be used by the trained/competent person. It is advisable to make a checklist of the essential components according to one's use before going for work.

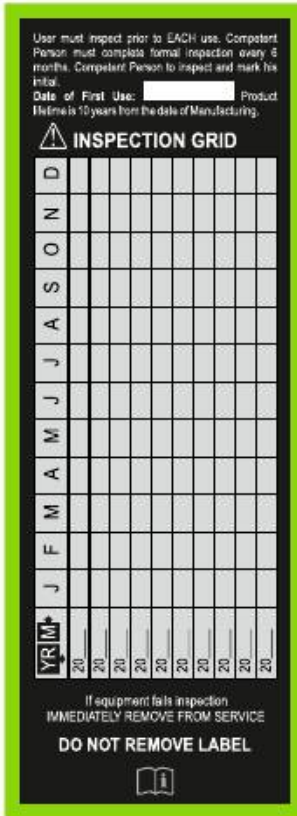
**LIFESPAN:** The estimated product Lifespan is 10 years from the date of manufacturing. The following factors can reduce the Lifespan of the product: intense use, contact with chemical substances, especially aggressive environments, extreme temperature exposure, UV exposure, abrasions, cuts, violent impacts, bad use or maintenance.

**DISCLAIMER:** Prior to use, the end user, must read and understand the manufacturer's instructions supplied with this product at the time of shipment and seek training from their employer's trained personnel on the proper usage of the product. Manufacturer is not liable or responsible for any loss, damage or injury caused or incurred by any person on grounds of improper usage or installation of this product.

EQUIPMENT RECORD				
Product:				
Model and type/identification	Trade name	Identification number		
Manufacturer	Address	Tel, fax, email		
Year of manufacture	Purchase date	Date first put into use		
Other relevant information (e.g. Document number)				
PERIODIC EXAMINATION AND REPAIR HISTORY				
Date	Reason for entry (periodic examination or repair)	Defects noted, repair carried out and other relevant information	Name and signature of competent user	Periodic examination next due date

**14. PRODUCT MARKINGS:**

- **Capacity:** 1 user, 310 lbs (140 kgs) maximum weight.
- **Strength:** 5000 lbs (23 kN)



**MARKING EXPLANATION:** The Product is marked with-

- |   |  |
|---|--|
| <ul style="list-style-type: none"> <li>(i) The ANSI icon showing that the product meets the requirements of the PPE Directive.</li> <li>(ii) Identification of manufacturer's</li> <li>(iii) Type or product code</li> <li>(iv) Certifying Norm &amp; Year</li> <li>(v) Material of Construction</li> <li>(vi) Load Capacity</li> </ul> | <ul style="list-style-type: none"> <li>(vii) Warning</li> <li>(viii) Adjustable Height</li> <li>(ix) UID No. for traceability</li> <li>(x) Minimum Breaking Strength</li> <li>(xi) Inspection Chart</li> <li>(xii) Norm &amp; Year</li> <li>(xiii) Year of manufacturing</li> <li>(xiv) Read Instructions before use</li> <li>(xv) Country of manufacture</li> </ul> |
|---|--|

6. **USE OF FALL ARREST SYSTEM:** The fall arrest system **MUST ONLY** be connected to the back attaching element on the harness provided for the purpose ("D" ring or webbing attachment extension) or to the chest anchorage points ("webbing link" or "D" link). The chest anchorage points must imperatively be used together. The D-rings on the belt and the ventral anchorage point must only be used for the attachment of a work positioning or retaining system and never with a fall arrest system. During use, check regularly the adjustment and/or attachment points.
7. **ANCHORAGE STRENGTH:** The anchorage strength required is dependent on the application type. The following are the requirements of ANSI Z359.1 for these application types:
  - **Fall Arrest:** Anchorages selected for fall arrest systems shall have a strength capable of sustaining static loads applied in the directions permitted by the system of at least- (1) 5,000 lbs (23kN) for non-certified anchorages, or (2) Two times the maximum arresting force for certified anchorages. When more than one fall arrest system is attached to an anchorage, the strengths set forth in (1) and (2) above shall be multiplied by the number of systems attached to the anchorage.
  - **As Per OSHA:** Anchorages used for attachment of personal fall arrest systems shall be independent of any anchorage being used to support or suspend platforms and capable of supporting at least 5,000 lbs.(23kN) per user attached, or be designed, installed and used as part of a complete personal fall arrest systems which maintains a safety factor of at least two, and is under the supervision of a qualified person.
  - **Work Positioning:** The structure to which the work positioning system is attached must sustain static loads applied in the directions permitted by the work positioning system of at least 3,000 lbs. (13.3 kN) or twice the potential impact load, whichever is greater. See OSHA. When more than one work positioning system is attached to an anchorage, the strengths stated above must be multiplied by the number of work positioning systems attached to the anchorage.
  - **Restraint:** Anchorages selected for restraint and travel restraint systems shall have a strength capable of sustaining static loads applied in the directions permitted by the system of at least: (1)1,000 lbs. (4.5 kN) for non-certified anchorages, or (2)Two times the foreseeable force for certified anchorages. When more than one restraint and travel restraint system is attached to an anchorage, the strengths set forth in (1) and (2) above shall be multiplied by the number of systems attached to the anchorage.
  - **Rescue:** Anchorages selected for restraint and travel restraint systems shall have a strength capable of sustaining static loads applied in the directions permitted by the system of at least: (1) 3,000 lbs. (13.3 kN) for non-certified anchorages, or (2) Five times the foreseeable force for certified anchorages. When more than one restraint and travel restraint system is attached to an anchorage, the strengths set forth in (1) and (2) above shall be multiplied by the number of systems attached to the anchorage.

**ANCHORAGE & ANCHORAGE STRENGTH:** Anchorage and anchorage strength requirements are dependent on the Full Body Harness. In accordance with ANSI Z359.1, anchorages selected for fall Arrest Systems must meet the anchorage strength requirements defined in below:

Anchorage Strength Requirements		
<b>Fall Arrest<sup>1</sup></b>	Non-Certified Anchorage:	5,000 lbs.(23kN)
	Certified Anchorage <sup>2</sup> :	2 Times the Maximum Arresting Force for Certified Anchorage
<b>Restraint<sup>1</sup></b>	Non-Certified Anchorage	1,000 (4.5 kN)
	Certified Anchorages <sup>2</sup> :	2 times the foreseeable force for certified anchorages.
<b>Work Positioning<sup>1</sup></b>	Non-Certified Anchorages	3,000 lbs (13.3 kN)
	Certified Anchorage <sup>2</sup> :	2 times the foreseeable force for certified anchorage.
<b>Rescue<sup>1</sup></b>	Non-Certified Anchorage	3,000 lbs (13.3 kN)
	Certified Anchorage <sup>2</sup> :	5 times the foreseeable force for certified anchorage.
<b>Climbing</b>	The structure to which a climbing system is attached must sustain the loads required by that particular system. See the instructions for the climbing system for requirements.	

- 1 **Multiple Systems:** When more than one of the defined system is attached to an anchorage, the strength defined for Non- Certified or certified anchorage shall be multiplied by the number of systems attached to the anchorage.
- 2 **Certified Anchorage:** An anchorage for fall arrest, positioning, restraint, or rescue systems that a qualified person certifies to be capable of supporting the potential fall force that meet the criteria for a certified anchorage prescribed in this standard.

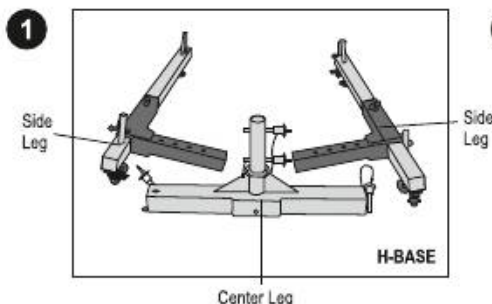
8. **INSPECTION:** Before each use, proceed with a thorough visual examination to ensure that the PPE is intact (the same applies to the equipment used with the harness (connectors, lanyard) and take all necessary steps concerning the implementation of rescue in total safety. In the event of your product gets contaminated, consult the manufacturer or authorized agent. If you have any doubts regarding the safe state of the product or if the product has been used to arrest a fall, it is essential to immediately withdraw the PPE from use and send it to the manufacturer or a qualified repair center for checking or destruction.

Following the inspection, the center will provide written authorization or refusal for the use of the PPE. Never attempt to modify or repair PPE.

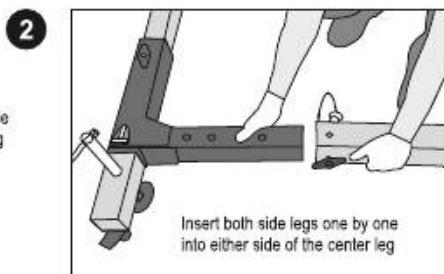
- Before each use of this equipment inspect it according to the following guidelines: A formal inspection of fall protection products/components must be performed at least every six months by a competent person other than the user. The frequency of formal inspections should be based on conditions of use or exposure. Record the inspection results in the inspection and maintenance log at the end of this manual. The component should be checked for Cut, Frayed, Heavily Soiled, welding burns etc. Metal parts like D-rings should be duly check for the crack, bent, deformities, corrosions etc.

**3. INSTALLATION:**

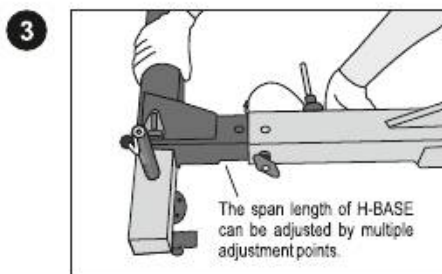
**DAVIT H-BASE Installation**



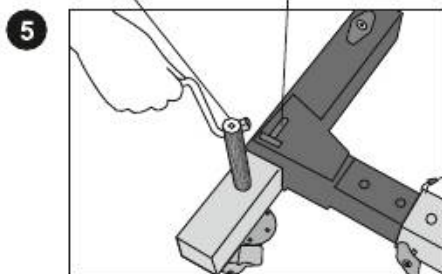
**STEP 1-** Place the Side Adjustable Assemblies & Column Base as shown in picture.



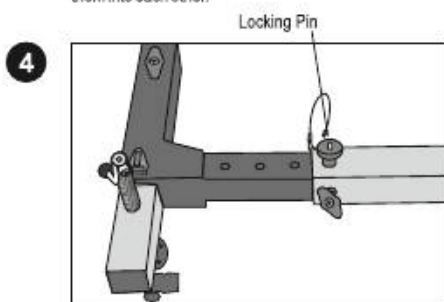
**STEP 2-** Attach both side legs with center leg by inserting them into each other.



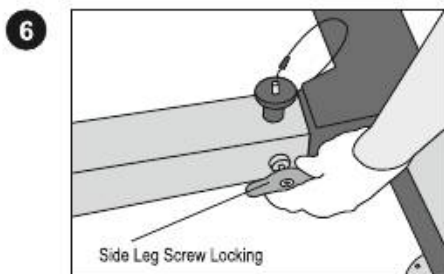
Screw Lock Spirit Level



**STEP 5 -** Please stabilize the Davit on the flat surface using the screw-type height adjustment mechanism and the provided spirit level, ensuring it is installed correctly on both leveled and uneven surfaces, including confined space entries.



**STEP 4-** Lock the arms using the locking pin.



**Step 6 -**Tighten the side leg locking pin with provided screw and locking to minimize the play between legs.

11. **FALL CLEARANCE:** If there is a risk of fall or if the only anchorage is below the attachment points on the harness, it is essential to use a lanyard provided with an energy absorber. Before using a shock-absorbing lanyard, check that there is sufficient fall clearance below the user to prevent any collision with the structure or the ground.

**12. MATERIAL & CONSTRUCTION:**

- **Materials:** High Strength Aluminium
- **System Requirements:**
  - **Compatibility of Components:** FRONTLINE Fall Protection equipment is designed to be used with FRONTLINE approved components. Please contact FRONTLINE if you have a question regarding compatibility. Making substitutions without approval from FRONTLINE Fall Protection may lead to injuries and or death. A Qualified person can make a determination on compatibility of equipment from different manufacturers.
  - **Compatibility of Connectors:** Connectors (D-rings, hooks, karabiners) must be capable of supporting at least 5,000 lbs. (23kN). Do not use equipment that is not compatible. Non-compatible connectors may unintentionally disengage. Self-locking snap hooks and karabiners are required by CSA, ANSI and OSHA. Connectors must be compatible in size, shape, and strength.
  - **Making Connections:** Only use self-locking snap hooks and karabiners with any FRONTLINE Fall Protection equipment. Do not use equipment that is not compatible.

**13. OTHERS:**

- **Maintenance & Cleaning:** Repairs to equipment can be made only by a FRONTLINE representative or person or entity authorized by FRONTLINE. Contact FRONTLINE for maintenance and repair. Cleaning after use is important for maintaining the safety and life of the equipment. Cleanse the equipment of all dirt, corrosives, and contaminants. If the equipment cannot simply be wiped clean use a mild soap and water. Rinse, wipe, and dry in shade.
- **Storage:** Store the anchorage connector component harness in a cool, dry and clean place out of direct sunlight. Avoid areas where heat, moisture, light, oil, and chemicals or their vapors or other degrading elements may be present. Equipment which is damaged or in need of maintenance should not be stored in the same area as usable equipment. Heavily soiled, wet, or otherwise contaminated equipment should be properly maintained (e.g. dried and cleaned) prior to storage. Prior to using equipment which has been stored for long periods of time, a Formal Inspection should be performed by a competent person. For harnesses with Dielectric buckles, pass-thru buckles or Quick Connect Buckles, store the harness with the buckles connected.
- **Training:** It is the responsibility of the users to assure that they read, understand, and follow all instructions and are trained in the care and use of this device. Training should be repeated periodically and any time there is a change of components within the system. Training must be conducted without exposing the trainee to a fall hazard

**15. PERIODIC EXAMINATION:** Keep these instructions with the product and fill in the identification sheet, entering the information taken from the markings.

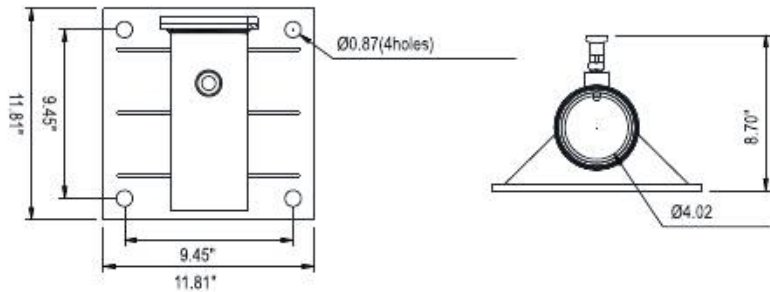
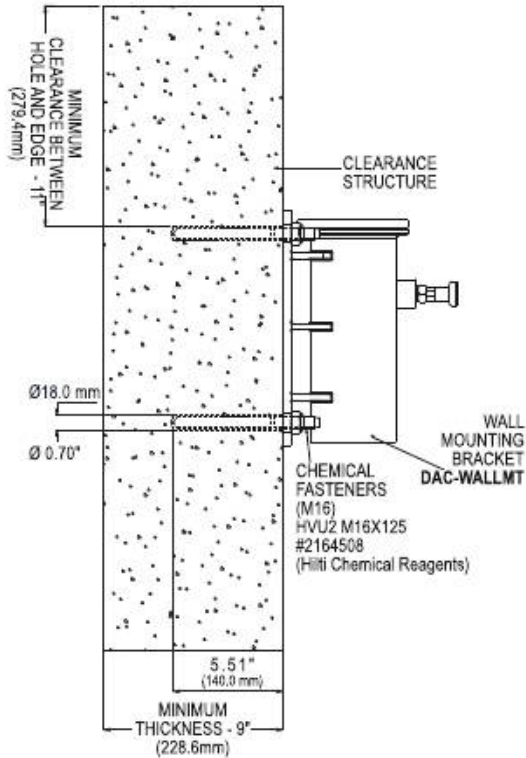
- The periodic examination is essential to test the resistance and condition of the equipment and to guarantee the safety of the user.
- A qualified person must examine this equipment at least once each year in strict compliance with the instructions of the manufacturer and the previous check must be recorded on the attached sheet.
- The frequency of inspection should be increased in accordance with the regulations, if the equipment is in heavy usage or if the equipment is used in harsh environments. Check also that the markings are legible.

Wall Mount Base (DAC-WALLMT) are designed for mounting to concrete or steel structures.

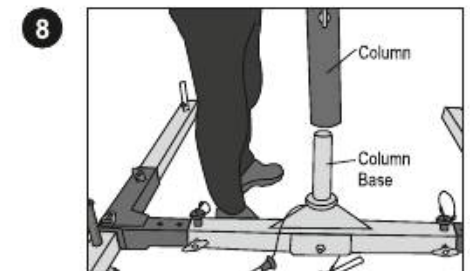
**Structure:** The receiving structure must be able to withstand stresses equivalent to 22.1 MPa or 22.1N/mm<sup>2</sup>. The fasteners/structural anchors must be strong enough to handle this strain. Refer Fastener manufactures UIM for stainless steel/High tensile M16 fasteners.

**Installation :**

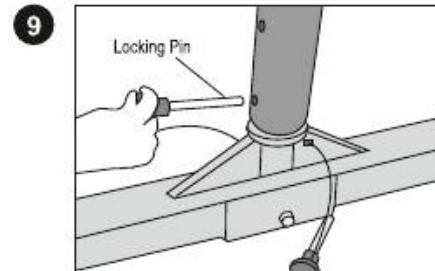
- Thickness of concrete block should be minimum 9"(228.6mm)
- All receiving Structures should be verified by a qualified structural Engineer.
- Base Installation must be approved to local regulations by a qualified engineer.
- Refer to Fastener Manufacturer to ensure the correct fasteners are used.
- If the Base material does not meet the minimum requires to install, then reinforcement is required. Refer to a qualified engineer.
- Drill holes should have a minimum clearance of 11"(279.4mm) from all available edges
- If unsure, refer to a qualified engineer to recommend the location to mount the Floor mount base to the structure.
- Drill 4 holes using the base as a guide
- Install the recommended M16 fasteners and mount the base then tighten the bolts.
- Can also be installed on cantilever of concrete beam by sand-witching two plates on concrete structure
- Suitable M16 fasteners should be used for fixing the brackets to the structure.



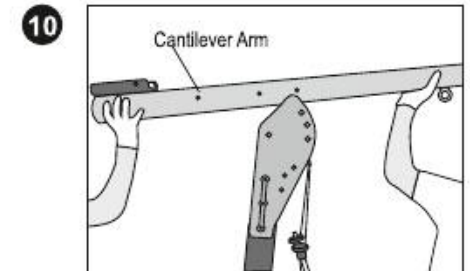
**STEP 7-** Tighten the leg top locking pin with provided screw locking to minimize the play between sections.



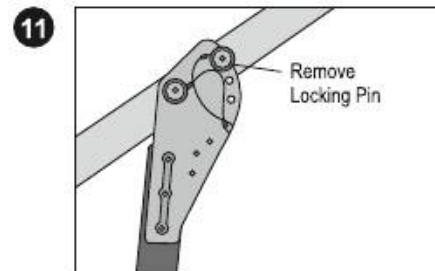
**Step 8 -** Now place the column on the Centre of column base as shown in picture.



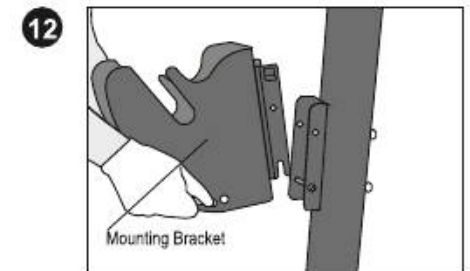
**STEP 9-** Lock the column leg on H-Base column using locking pin.



**STEP 10-** Place the cantilever arm on Column.

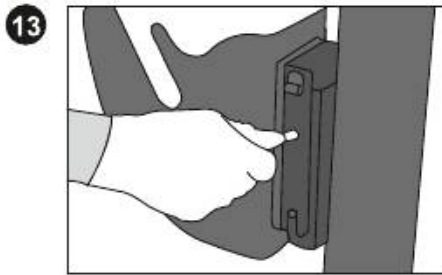


**STEP 11-** Insert the cantilever arm on the Column Assembly and lock it with locking pin. For adjusting cantilever arm on desired position please correct the sentence.

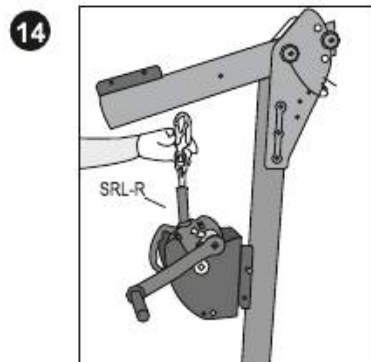


**STEP 12-** Place the mounting bracket on the pre-installed bracket on the Column of Davit.

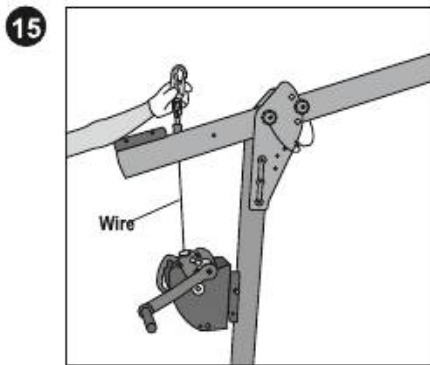
**WARNING:** Failure to follow User Instructions and Installation instructions may lead to severe injury and/or death.



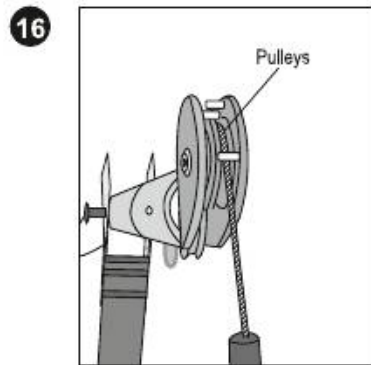
**STEP 13**– Fix the mounting bracket on the Column Section Using Locking pins Secured by pins.



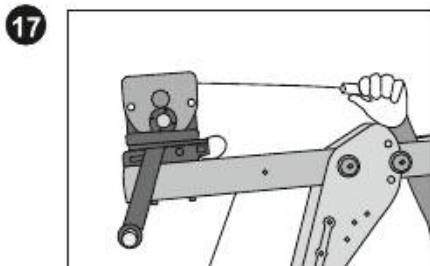
**Step 14**– Fix the SRL-R on the mounting bracket.



**STEP 15**– Reel out the wire from SRL-R by rotating the hoist handle and pass it through the pulley at the final end of cantilever arm.



**STEP 16**– Reel out the wire through the pulley at the final end of cantilever arm.



**Step 17**–Fix the Winch at initial end of the cantilever arm and reel out the wire from winch by rotating the hoist handle and pass it through the pulley at the final end of cantilever arm.



**STEP 18**– Davit Arm is now ready to use.

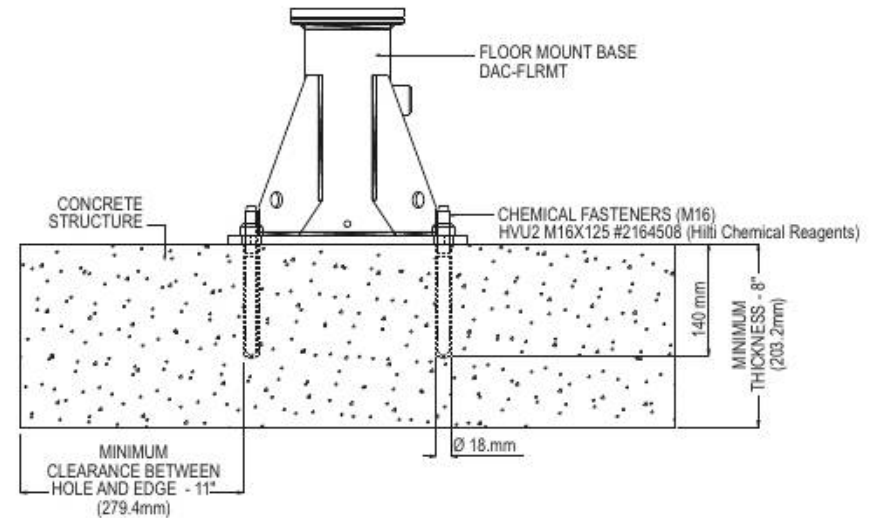
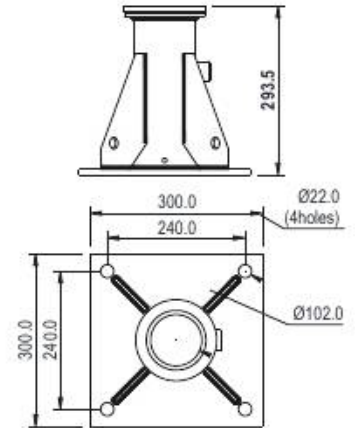
**Note:** Davit Arm can be shifted from one location to another as it comes with wheel and braking mechanism that enables easy movement.

**Structure :** The receiving structure must be able to withstand stresses equivalent to 22.1 MPa or 22.1N/mm<sup>2</sup>. The fasteners/structural anchors must be strong enough to handle this strain. Refer Fastener (HVU2 M16X125 #2164508 (Hilti Chemical Reagents) manufactures UIM for stainless steel/High tensile M16 fasteners.

**Floor Mount Base (DAC-FLRMT) are designed for mounting to concrete or steel structures.**

**Installation:**

- Thickness of concrete block should be minimum 8"(203.2mm).
- All receiving Structures should be verified and approved by a qualified structural Engineer.
- Base Installation must be approved to local regulations by a qualified engineer.
- Refer to Fastener Manufacturer to ensure the correct fasteners are used.
- If the Base material does not meet the minimum requires to install, then reinforcement is required. Refer to a qualified engineer.
- Drill holes should have a minimum clearance of 11"(279.4mm) from all available edges.
- If unsure, refer to a qualified engineer to recommend the location to mount the Floor mount base to the structure.
- Drill 4 holes using the base as a guide.
- Install the recommended M16 fasteners and mount the base then tighten the bolts.
- Can also be installed on cantilever of concrete beam by sandwiching two plates on concrete structure.
- Suitable M16 fasteners should be used for fixing the brackets to the structure.

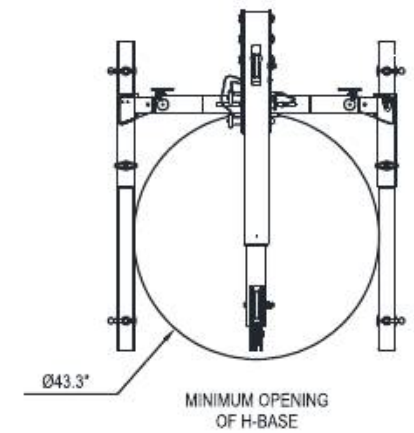
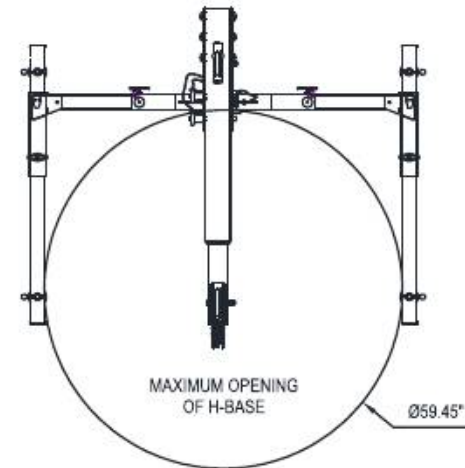
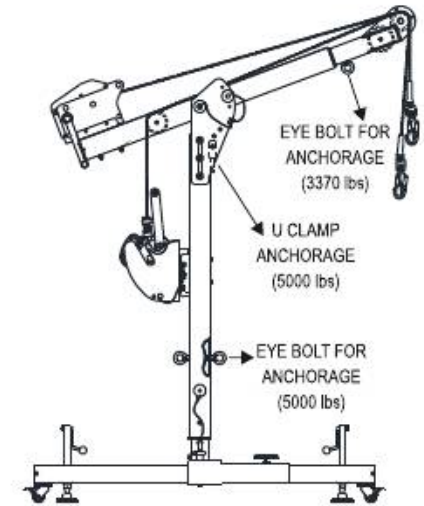
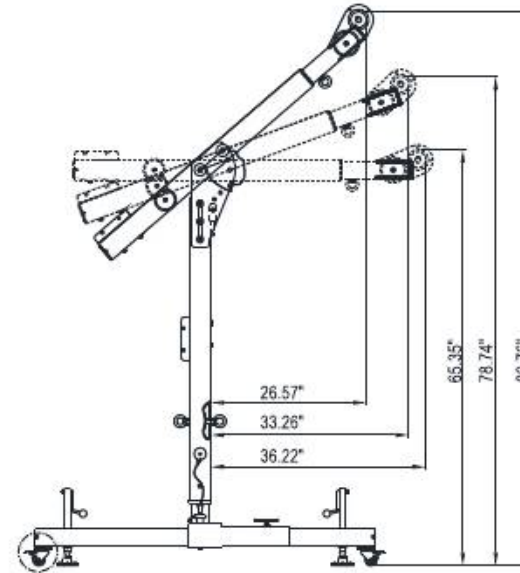


**WARNING:** Failure to follow User Instructions and Installation instructions may lead to severe injury and/or death.

Wall Mounted Davit Installation



- Insert the column in the wall Mounted Base DAC-WALLMT.
- Lock the column with the base with locking pin.
- Repeat Step 9-14 to install brackets for winch and Rescue Retrieval SRL (Type 3)



Floor Mounted Davit Installation



- Insert the Column in the Floor mounting DAC-FLRMT.
- Lock the Column with the Floor mounted base with locking pin.
- Repeat Step 9-14 to install brackets for winch and Rescue Retrieval SRL (Type 3)

DAC-FLRMT  
Locking Pins

