



# SPEC SHEET

## RGSS58 Self-tracking Rope Grab for 5/8" Lifeline Rope

### Design Specifications

Moving Rope Grab on flexible anchorage line.

Moves along with the user climbing up or down and locks him in the case of a fall.

Capable of using on 15/32" Kernmantle Rope.

Capable of using on 5/8" Twisted Rope.

Galvanized steel openable Rope Grab with a unique Anti Panic feature and a connecting eye of diameter 1.96

### Material Specifications

Made of High Strength Alloy Steel.

Finish

Golden Yellow Galvanized for better finish & corrosion protection.

Minimum Breaking Strength

3,372 lbs.

Weight

1.22 lbs. ± 0.02 lbs.

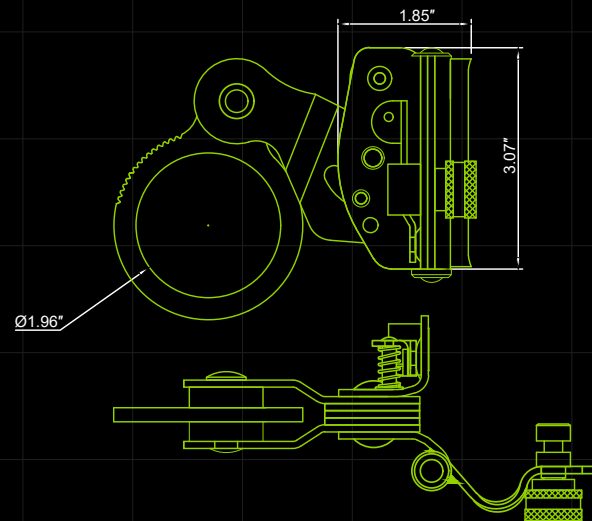
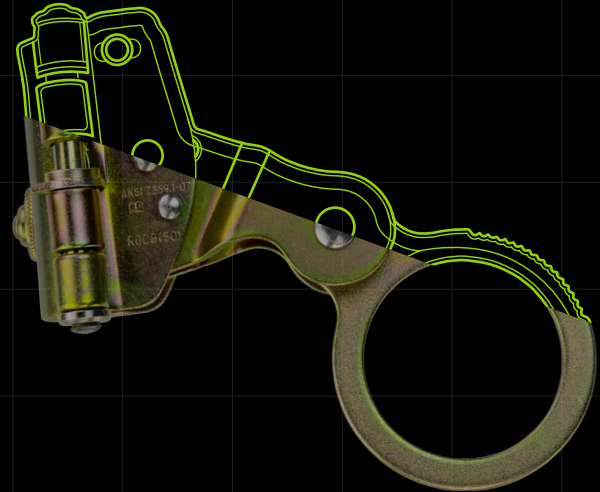
### Relevant Standards

ANSI

Z359.1-2007

CSA

Z259.2.5-12



#### WARNINGS:

- Do not skip user instructions supplied with this product.
- Alteration or misuse of this product or failure to follow instructions may lead to serious injury or even death.

**FRONTLINE**  
FALL PROTECTION

info@frontlinefall.com

www.frontlinefall.com