

SPEC SHEET

MEGApod 60' 3-Way Self Retractable Lifeline with Retrieval System



RPG603W

Features

Retrieval fall arrester block in polymer casing coupled with hoisting winch to enable easy retrieval of victim

The locking pin enables the dual system to work in fall arrest and winch mode

Can be easily mounted on the leg of the MEGApod system with specialized bracket (TACBU)

Swivel steel snap hook with load Indicator at attachment end

Has swivel anchorage eye at anchorage end

Material Specification

Cable	Galvanized steel wire rope
Cable Length	60 ft. (18.28m)
Cable Diameter	3/16"
Min. Breaking Strength	3,400 lbs
Weight	20.3 lbs

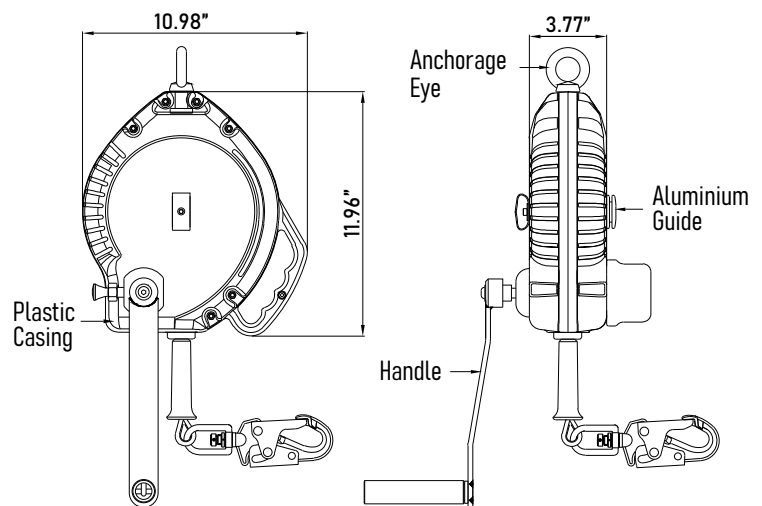
Relevant Standards

ANSI	Z359.14-2014
OSHA	CFR 1926
	CFR 1910



FRONT VIEW

SIDE VIEW



www.frontlinefall.com info@frontlinefall.com

6 Lee Blvd, Malvern, PA 19355