

SPEC SHEET

Aluminum Beam Trolley Anchor



ST10HTK

Features

Ideal for overhead fixed-position anchor points

Anchor capable of being installed on flange of beams

Adjustment of the jaw to variable positions enables it to be installed to varying flange widths

Glides smoothly along the beam and provide horizontal mobility

No tools are necessary for fast installation

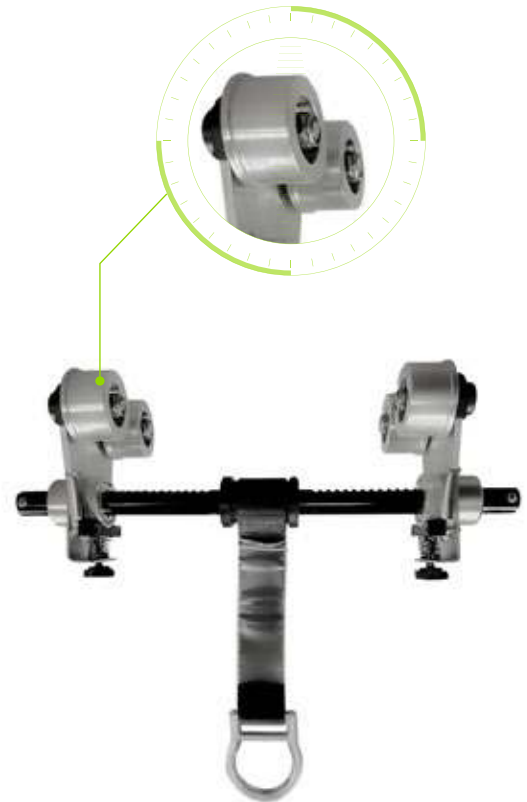
The trolley ensures safe anchorage by moving along the beam with the user

Design Specifications

Material	Aluminium and stainless steel
Min. Breaking Strength	5,000 lbs
Weight	9.25 lbs
Flange Width	3" to 10"
Flange Thickness	1"

Relevant Standards

ANSI	Z359.18
OSHA	1926
	1910
EN	795 Type B



Beam Flange Width Range: 3" to 10"

