



SPEC SHEET

STMP10K-WO + STM10K-SA

Weld-on Puck with Steel MEGA Swivel 10K Anchor

Features

Anchor Rotates 360° and pivots 180° side-to-side

Permanent and Temporary installations supported for Steel

Anchor is rated up to 10,000 lbs Tensile Strength

3" x 1" Puck with 5/8" threaded hole

Includes 5/8" x 4" Plated Grade 8 Bolt and Nut

Materials

Connector D-Ring Zinc Plated Alloy Steel; 10,000 lbs Min

Weld-on Puck Unplated Mild Steel

Fasteners Zinc Plated Steel, Grade 8

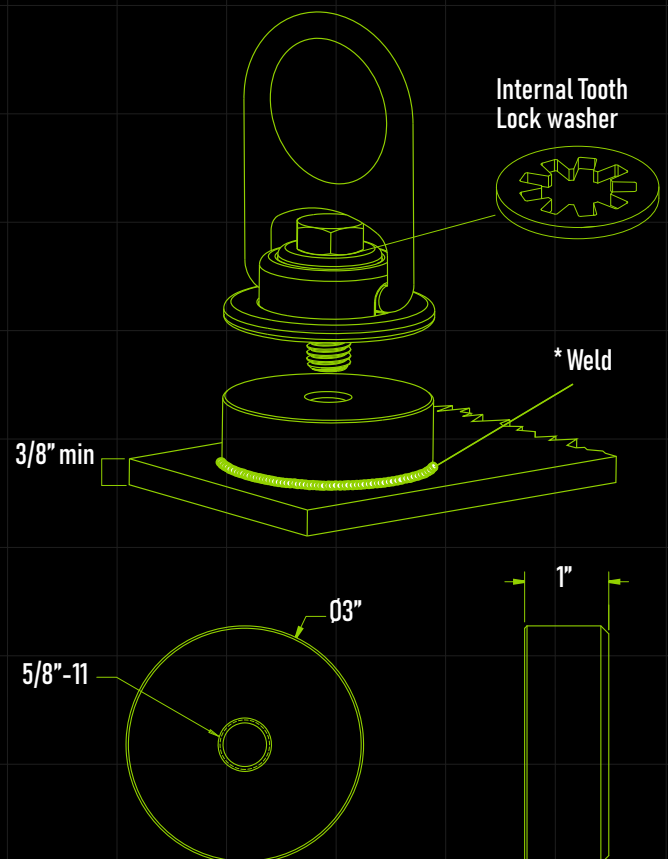
Relevant Standards

ANSI User Capacity 130 to 310 lbs Max.

OSHA User Capacity 130 to 425 lbs Max.

WARNINGS:

- Do not skip user instructions supplied with this product.
- Alteration or misuse of this product or failure to follow instructions may lead to serious injury or even death.



FRONTLINE
FALL PROTECTION