

PATRIOT Line

TAN07RA-US

Patriot™ 7' Aluminum Adjustable Tripod with 3-Way Retrieval System

Design Specifications

Cast aluminum tripod head comes complete with two integrated eye bolts for attachment of pulleys or auxiliary equipment

Each of the legs may be independently adjusted

Durable, lightweight and auto-locking

Materials

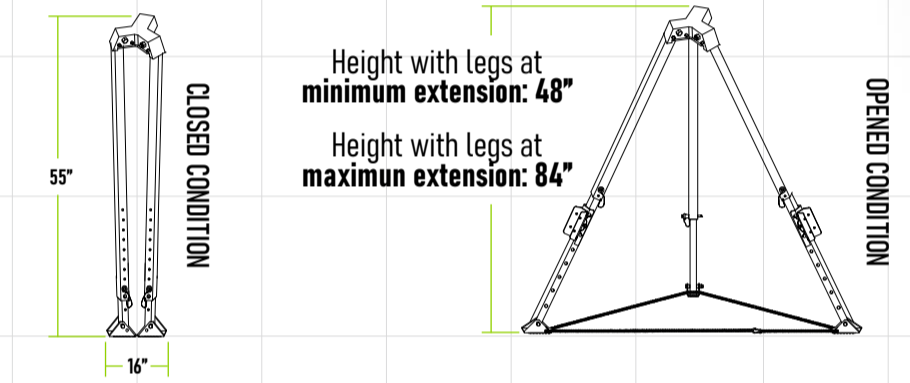
Head	Powder coated aluminum
Legs	Aluminum
Feet	Powder coated aluminum with rubber pads

Features

Weight	40 Lbs
Working Load Limit	350 Lbs*
Minimum Breaking Strength	5,000 Lbs

Distance between feet

At maximum extension	60"
At minimum extension	38"



RAG503W-US

Patriot™ 50' 3-Way SRL

Features

Weight	45 Lbs
Capacity Range	130-310 lbs
Brake system	Stainless Steel
Brake Activation Speed	4.5 ft./sec.
Mechanical Advantage	30:1
Avg. Arresting Force	<1,350 lbs. (6kN)
Max. Arrest Distance	≤ 24" (610mm)
Lifeline Length	50'
Lifeline Strength	4,200Lbs

Compliance



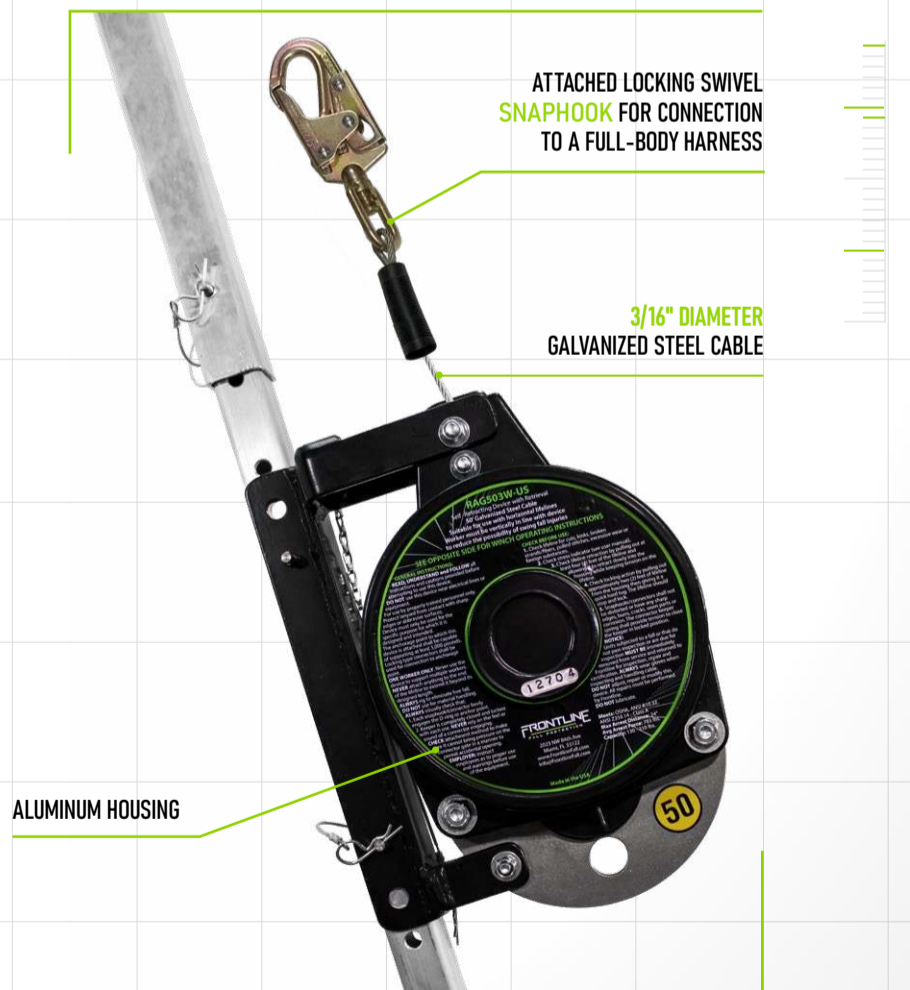
Z359.1

Z359.4

Z359.18

1910

1926



*NOTE: ANSI Z359 only applies to workers within the capacity range of 130-310 lbs.

WARNINGS:

• Do not skip user instructions supplied with this product.
• Alteration or misuse of this product or failure to follow instructions may lead to serious injury or even death.

FRONTLINE
FALL PROTECTION

info@frontlinefall.com

www.frontlinefall.com

PROUDLY
MADE IN
THE USA