

INSPECTION FORM: Self-Retracting Lifeline



OSHA 1926.502(d)(21)

Personal fall arrest systems SHALL be inspected prior to each use for wear, damage, and other deterioration, and defective components SHALL be removed from service.



6.1 Inspection

6.1.1 Equipment SHALL be inspected by the user before each use and, additionally, by a competent person other than the user at intervals of no more than one year.

FREQUENCY OF INSPECTION IN THE FOLLOWING CATEGORIES:

General Industry: _____ Construction: _____

Your Organization: _____ Manufacturer: _____

MANUFACTURER OF EQUIPMENT:

Name of Manufacturer: _____

Serial #: _____ Model #: _____

Date of Manufacture: ___/___/___

INSPECTION:

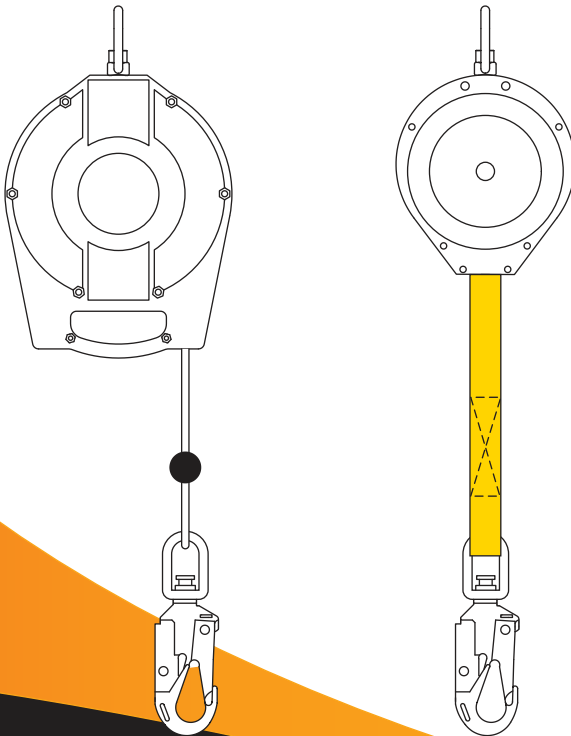
Date: ___/___/___

REMOVE FROM SERVICE WHEN:

Date: ___/___/___

NAME OF COMPETENT PERSON: _____

NAME OF USER (AUTHORIZED PERSON): _____



LOOK AT:

- 1 Hardware
- 2 Webbing
- 3 Stitching
- 4 Labels/Tags

LOOK FOR:

1 HARDWARE	✓	✗
Rust/corrosion		
Deformed/bent		
Burs/cracks		
Weld spots/slag		
Missing rivets		
Springs		
Functionality		
Other		

2 WEBBING	✓	✗
Cuts/burns/holes		
Excessive wear		
Excessive UV damage		
Chemical attack		
Writing on the webbing		
Other		

3 STITCHING	✓	✗
Missing		
Loose		
Broken		
Other		

4 LABELS/TAGS	✓	✗
Missing		
Illegible		
Dates		
Other		



TOMKAT SAFETY

PASS
 FAIL