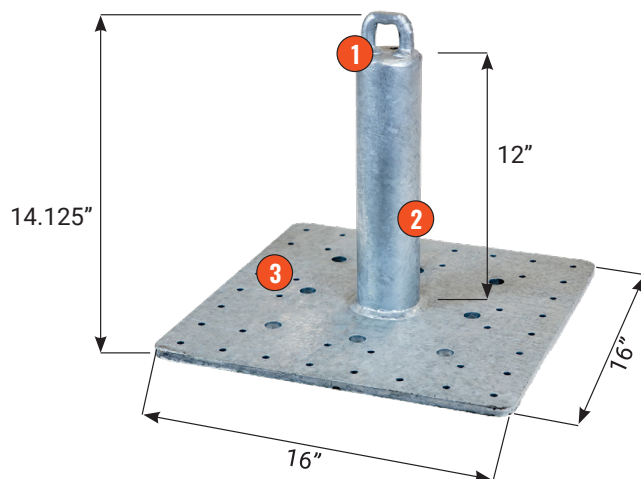
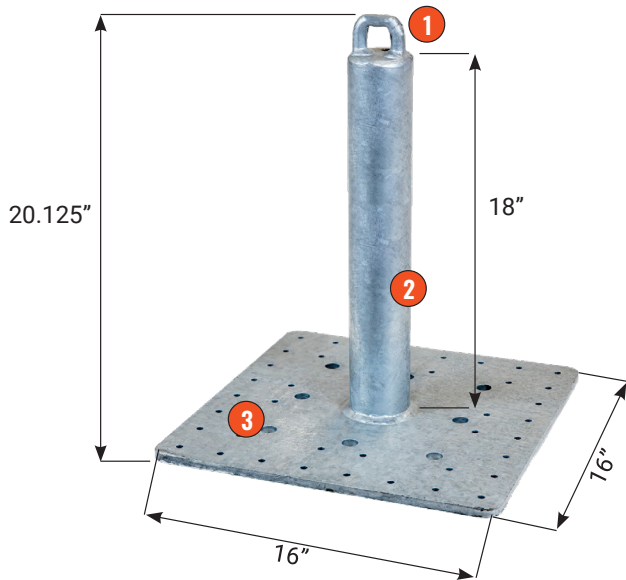


STANDARD ROOF ANCHORS

The Rigid Post Anchor is a fixed post roof top anchor intended for permanent applications. The Rigid Post Anchor has been thoroughly tested and is compatible for installation on steel and concrete substrates (fasteners sold separately). These standard anchors meet the requirements for anchors rated for window cleaning. The anchor post (available in both 12" and 18" heights) functions by extending through roofing materials and is compatible with standard pipe flashing providing waterproof anchorage for years to come. The Rigid Post Anchor is composed of durable galvanized steel, and is compatible for use with appropriately rated SRLs, vertical lifelines, and shock absorbing lanyards.



KEY FEATURES

1. Extends Past Roofing Substrate to Make Attachment Point Accessible
2. Round Post Works with Most Flashing Kits
3. Durable Galvanized Finish

- For Use on Steel or Concrete
- Can support one user in fall arrest or fall restraint applications
- Great for Use with Retractable Lifelines, Vertical Lifelines, or Rope Grab Units

PERFORMANCE SPECIFICATIONS

Worker Capacity Range	130-310 lbs. Max
Minimum Breaking Strength	5,000 lbs. Max

MATERIALS SPECIFICATIONS

Anchor	Galvanized Steel
Plate Thickness	.375"

FALL PROTECTION STANDARDS

OSHA	1910, 1926 Subpart M
ANSI	Z359.18-2017
IWCA	1-14.1

PART #	SIZE	WEIGHT	ORIGIN
A6300	12'	32.7 lbs.	USA
A6301	18'	35.1 lbs.	USA
A6320	12'	32.7 lbs.	China
A6321	18'	35.3 lbs.	China