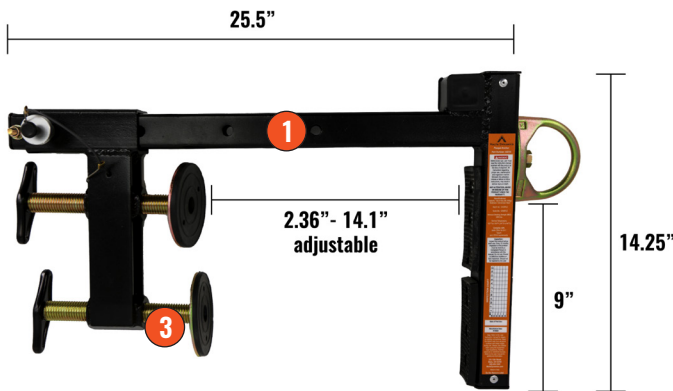


PARAPET ANCHOR

The Malta Dynamics Parapet Anchor, is intended for use as a temporary anchorage connector to be used with a comprehensive personal fall arrest system. The Parapet Anchor must never be used to lift, hang, or support equipment.

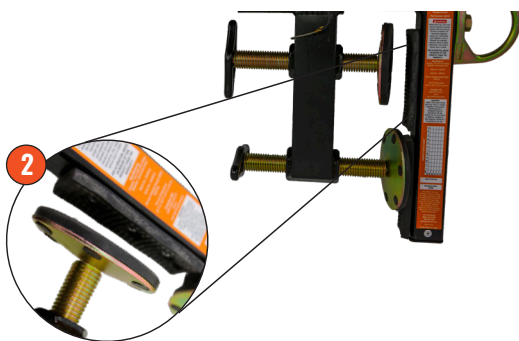
When used as part of a comprehensive PFAS, workers must also use a full body harness and shock absorbing lanyard/ self-retracting lifeline that limits free fall to a maximum of six feet. When used as part of a comprehensive PFRS, workers must use a full body harness OR a work positioning belt and lanyard. The Parapet Anchor has a minimum tensile breaking strength of 5,000 lbs. (22.2 kN) when statically tested in accordance with the requirements of the ANSI Z359.18-2017 standard.

KEY FEATURES



1. Includes extendable arm
2. Protective pads eliminate damage during install
3. Dual tightening handles for even force distribution

- Non-penetrating anchorage design
- No installation tools required
- Lightweight, portable and reusable
- No fasteners needed



PERFORMANCE SPECIFICATIONS

Worker Capacity Range	130-310 lbs. Max
Minimum Breaking Strength	5,000 lbs. Max
Flange Width Adjustable	2.36"-14.1"

MATERIALS SPECIFICATIONS

Anchor	Galvanized Steel
Pad	Rubber

FALL PROTECTION STANDARDS

OSHA	1926 Subpart M, 1910
ANSI	Z359.18-2017 Type A

PART #	PACK	WEIGHT
A6316	1	2.4 lbs.