

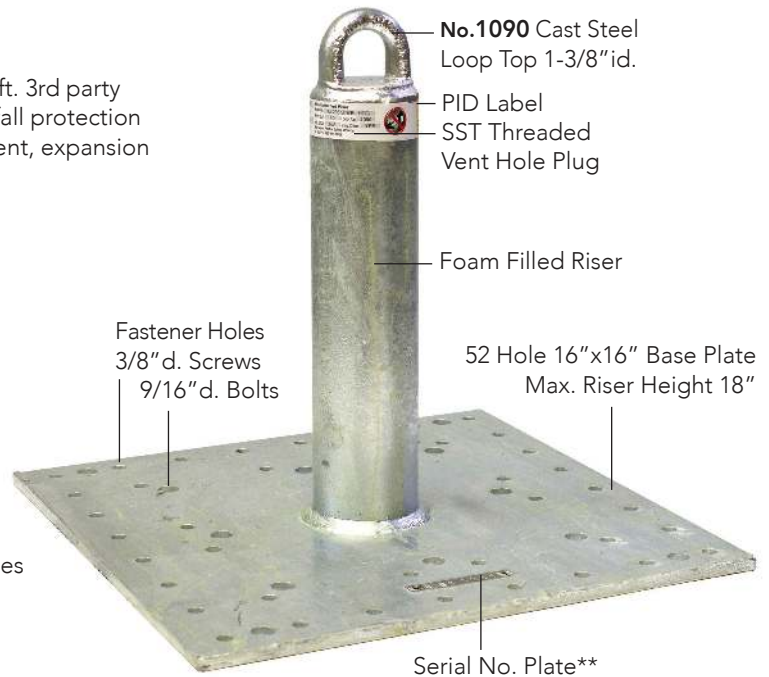
CRA Loop Top Anchors

3.0"od. CRA Anchors

Specified for single person PPE anchor point, window washing tie-off and horizontal lifeline lengths up to 240ft. 3rd party certified to comply with current ANSI, CSA and OSHA fall protection standards. Install with screws, bolts, concrete embedment, expansion bolts or field welded.

Specifications

- Min. tensile strength 5,000lb
- No.1090 Q235 steel and 1090-S 316sst loop tops tensile strength rating of 10,000lb*
- Hot dip galvanized (HDG), 304sst or 316sst
- No.2022 40pc 2-1/2" hex head screws for 52 hole base plate models w/max. riser ht.18"
- 3rd party engineering by DH Glabe & Assoc. *Report available on request*
- Contact SAS sales team for custom mfg. and lead times



Request Unit Pricing

Riser Height	Part Name	Material		Loop Top		Base Plate Inches	Anchor wt/lb	Riser Sch
		Part No.	Type	No.	Type			
5	△ CRA-5W	1031-W	▲ HDG	1090	Q235	6x6x3/8 4 hole	8	
		1031-WS	■ 304sst	1090-S	316sst			
8	△ □ CRA-8W	1035-W	▲ HDG	1090	Q235	16x16x3/8 52 Hole	35	40 0.203 3.0"od.
		1035-WS	■ 304sst	1090-S	316sst			
12	△ □ CRA-12W	1032-W	▲ HDG	1090	Q235		37	
		1032-WS	■ 304sst	1090-S	316sst			
18	△ □ CRA-18W	1033-W	▲ HDG	1090	Q235	40		
		1033-WS	■ 304sst	1090-S	316sst			
24	△ CRA-24W	1042-W	▲ HDG	1090	Q235	16x16x5/8 12 Hole*	66	80 0.276 3.0"od.
		1042-WS	■ 304sst	1090-S	316sst	12x12x5/8 8 Hole	42	
30	△ CRA-30W	1025-W	■ HDG	1090	Q235	12x12x3/4 8 Hole	55	
		1025-WS	■ 304sst	1090-S	316sst			
36	△ CRA-36W	1026-W	■ HDG	1090	Q235	60		
		1026-WS	■ 304sst	1090-S	316sst			

- Standard Design Custom mfg. ▲ Nominal Dimension.
 - ▲ Stock Part. □ May be attached with SAS specified screws.
 - △ Bolt, concrete embedment, expansion bolts or field welded.
 - * Also available w/16 holes.
 - ** Imported models only. All other models specify SN on the PID label.
- Note 1: Max. proof load 2,500lb.
Note 2: Backer plates may be required for installation.

Compliance

ANSI Z359.18-17 Type A/T*
CSA Z259.15:22 Type A/T*
Window Washing: ANSI/IWCA I-14.1
OSHA 1926.502
**Request Intertek CRA Lab Report*

