

CRA-PT Pass-Thru Anchors

3.0"od. CRA-PT Anchors

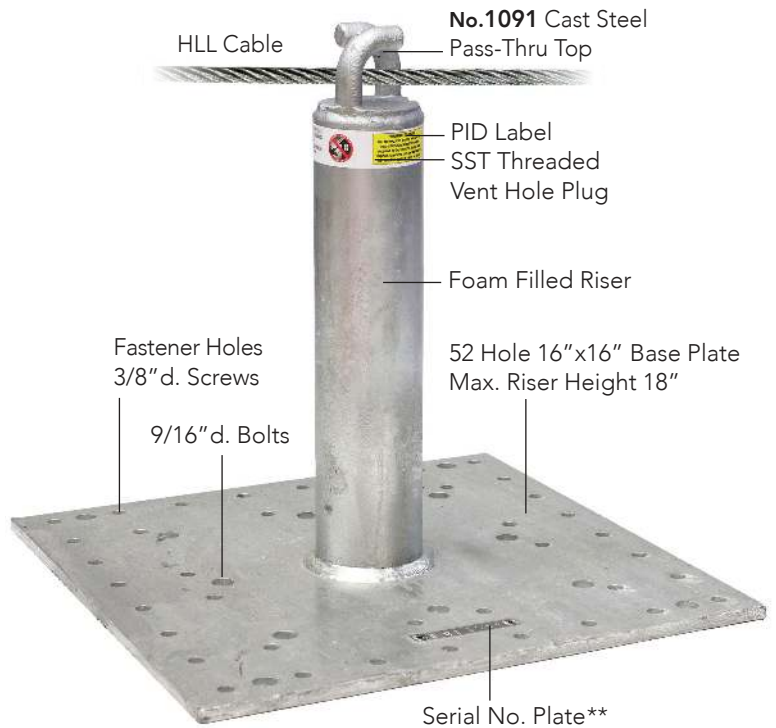
Intermediate anchors for CRA HLL systems up to 240ft w/max. 30ft spacing between anchors. Pass-Thru tops are designed for use with connector ring No.5010-SM providing travel between intermediate anchors along the entire length of the HLL cable without disconnecting.

Specifications

- Horizontal lifeline intermediate anchor
- Min. tensile strength 5,000lb
- No.1091 Q235 steel or 1091-S 316sst pass-thru tops
- Hot dip galvanized (HDG), 304sst or 316sst
- No.2022 40pc 2-1/2" hex head screws for 52 hole base plate models w/max. riser ht.18"
- HLL 3rd party engineering by DH Glabe & Assoc. *Report available on request*
- Contact SAS sales team for custom mfg. and lead times

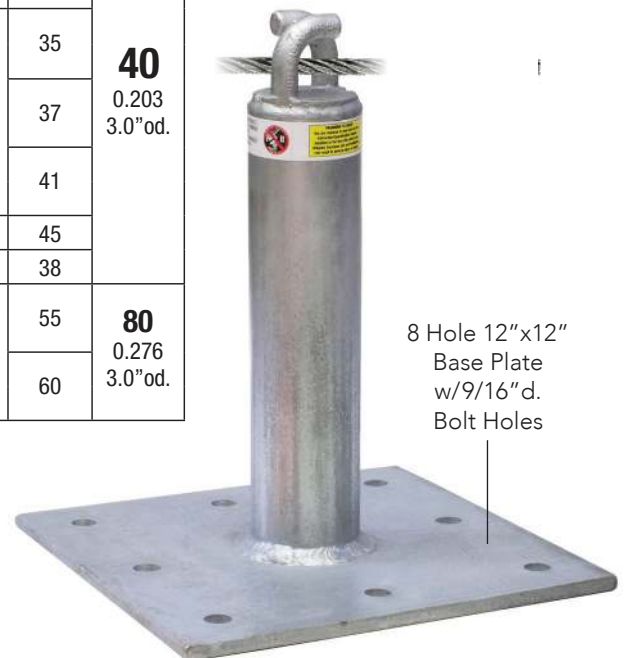
Compliance

ANSI Z359.1-07
OSHA 1926.502



Request Unit Pricing

Riser Height	Part Name	Material		Pass-Thru Top		Base Plate Inches	Anchor wt/lb	Riser ▲ Sch
		Part No.	Type	No.	Type			
5	△ CRA-PT5	1031-PG	▲ HDG	1091	Q235	6x6x3/8 4 Hole	8	40 0.203 3.0"od.
		1031-PS	■ 304sst	1091-S	316sst			
8	△ □ CRA-PT8	1035-PG	■ HDG	1091	Q235	16x16x3/8 52 Hole	35	
		1035-PS	■ 304sst	1091-S	316sst		37	
12	△ □ CRA-PT12	1032-PG	▲ HDG	1091	Q235			
		1032-PS	■ 304sst	1091-S	316sst			
18	△ □ CRA-PT18	1033-PG	▲ HDG	1091	Q235	45		
		1033-PS	■ 304sst	1091-S	316sst			
24	△ CRA-PT24	1042-PG	■ HDG	1091	Q235	16x16x5/8 12 Hole*	38	
		1042-PS	■ 304sst	1091-S	316sst	12x12x5/8 8 Hole		
30	△ CRA-PT30	1025-PG	■ HDG	1091	Q235	55	80 0.276 3.0"od.	
		1025-PS	■ 304sst	1091-S	316sst			
36	△ CRA-PT36	1026-PG	■ HDG	1091	Q235	60		
		1026-PS	■ 304sst	1091-S	316sst			



- Standard Design Custom mfg. ▲ Nominal dimension.
- ▲ Stock Part. □ May be attached with SAS specified screws.
- △ Bolt, concrete embedment, expansion bolts or field welded.
- * Also available w/16 holes.
- ** Imported models only. All other models specify SN on the PID label.
- Note 1: Do not proof load pass-thru tops.
- Note 2: Backer plates may be required for installation.

Anchor Backer Plates

Request Unit Pricing

Part No.	Type	Model	Dimension/Inches	wt/lb
1084-BPR	▲ Raw	52 Hole	16x16x3/8	28
1084-BPG	▲ HDG			
1084-BPS	▲ 304sst			
1085-BPR	▲ Raw	16 Hole	16x16x5/8	46
1085-BPG	▲ HDG			
1085-BPS	▲ 304sst			
1409-BPR	▲ Raw	8 Hole	12x12x5/8	25
1409-BPG	■ HDG			
1409-BPS	▲ 304sst			
1410-BPR	▲ Raw		12x12x3/4	31
1410-BPG	■ HDG			
1410-BPS	■ 304sst		12x12x1-1/8	46
1412-BPR	▲ Raw			
1412-BPG	■ HDG			
1412-BPS	■ 304sst			

■ Standard Design Custom mfg. ▲ Stock Part.

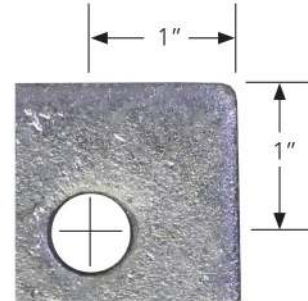
■ 7-10 day lead time for galvanizing.

Note 1: Stock plates are supplied with drain holes.

Note 2: 52 hole plates have asymmetrical corner bolt holes and must be aligned with anchor base plate.

Backer plates have identical bolt hole and plate size specifications as anchor base plates and are used where anchors cannot be attached directly to the installation surface.

Standard Corner Holes



Custom Models

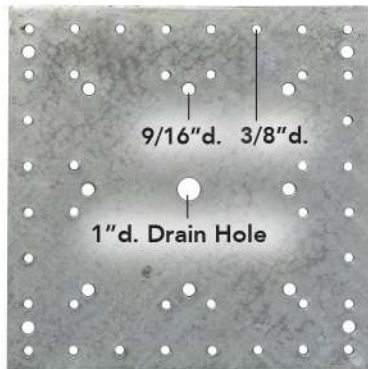
Contact SAS sales team.

Custom Finish

Shop primer and thermal-plastic coating.

*Note that raw uncoated backer plates will have some minor surface oxidation.

52 Hole 16"x16"



16 Hole 16"x16"



Bolt Holes Min. 9/16" Max. 5/8"

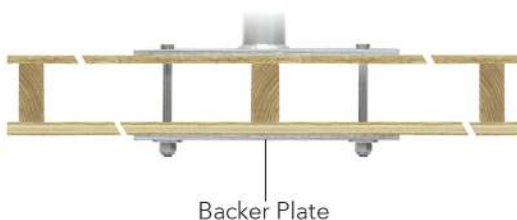
8 Hole 12"x12"



Bolt Holes Min. 9/16" Max. 5/8"

Steel or Wood Beams

Wood Framed Structures



Type B Metal Decking

With or Without Insulation Panels

